



SATRON **instruments**

PRODUCT CATALOGUE 2018

Satron Instruments Inc. P.O Box22, FI-33901 Tampere, Finland
Tel.+358207464800, Telefax +358207464801
info@satron.com, sales@satron.com
www.satron.com





Satron Instruments Inc.
P.O.Box 22, FI-33901 Tampere, Finland
Tel. +358 207 464 800, Fax +358 207 464 801
www.satron.com

We reserve the right for technical modifications without prior notice.

HART® is a registered trademark of HART Communication Foundation.
Viton® is the registered trademark of DuPont Down Elastomers.

Cover: Designed by Freepk.com



Pressure measurement		Page
SATRON VT	Pressure transmitter	7
SATRON VB	Pressure transmitter	15
Differential pressure and flow measurement		
SATRON VDt	Differential pressure transmitter	23
SATRON VDU	Differential pressure transmitter using two separate pressure sensors	30
Condensate pot		40
Liquid level measurement		
SATRON VG	Pressure transmitter	44
SATRON VV	Pressure transmitter	50
SATRON VVFe	Pressure transmitter	56
SATRON VL	Pressure transmitter	62
SATRON VDtL	Differential pressure transmitter	70
Installation of p and dp transmitters		
PASVE	Mounting and service valve	80
PASVE BA	Mounting and service valve	82
PASVE pH	Mounting and service valve	86
PASVE DUAL	Mounting and service valve	90
PASVE pH-U	Mounting and service valve	94
PASVE SC/SP/ST	Sampling valve	98
Mounting couplings for VG transmitters		102
Mounting couplings for VT/VT _e transmitters		107
Hydraulic pressure seal and actuators		
HPS	Hydraulic pressure seal	113
HPS BA/BB	Hydraulic pressure seal BA / BB	123
PISTOR 75	pneumatic power cylinder	131
Turbidity and solids content measurement		
SATRON VO	Turbidity and solids content sensor	133
SATRON VOA	Turbidity and solids content sensor	141
Consistency measurement and sampling		
SATRON VCT	Optical total consistency transmitter	148
SATRON VCA	Optical total consistency transmitter + Ash	152
SATRON VCB	Optical brightness transmitter	156
SATRON VCF	Optical freeness Transmitter	160
SATRON VCK	Optical total lignin content transmitter	164
SATRON VCL	Optical low consistency transmitter	168
SATRON SAVE	Sampler	174
SATRON SAVE H	Pulp sampler for high-consistencies	177



Satron Instruments Inc.
P.O.Box 22, FI-33901 Tampere, Finland
Tel. +358 207 464 800, Fax +358 207 464 801
www.satron.com

We reserve the right for technical modifications without prior notice.

HART® is a registered trademark of HART Communication Foundation.
Viton® is the registered trademark of DuPont Down Elastomers.



Expressing performance

April 30, 2010

Some of the most common quantities expressing performance and the reference conditions in which they are measured are described on this page. The following description conforms to the IEC 546 and IEC 770 recommendations.

Values of performance specifications apply to 316 SS diaphragms, unless standard material otherwise defined.

Quantities used for expressing performance

Non-linearity is the maximum deviation of the characteristic curve (of the average of the increasing and decreasing portions) from the straight line drawn so as to minimize the deviation (= non-linearity with respect to independent straight line).

Conformity error is a term used instead of non-linearity if the ideal characteristic curve is not a straight line: conformity error is the maximum deviation of the average-deviation curve from the ideal characteristic curve drawn so as to minimize the deviation. Dead band, also known as neutral zone, is the range through which the input signal may vary without causing any perceptible change in the output signal.

Hysteresis, as a quantity expressing performance, is defined as the maximum difference between the increasing and decreasing output signal corresponding to the same input signal value when the input signal is changed through the full range in both directions.

Repeatability is the maximum deviation of output signal values corresponding to the same input signal value in consecutive measurements, when conditions remain unchanged and when this input signal value is always approached from the same direction while the input is changed through full range. Repeatability is calculated on the basis of measurement results from the formula.

$$\sqrt{\frac{\sum(x_i - \bar{x})^2}{N}}$$

where x_i = individual measurement result
 \bar{x} = average of measurement results
 N = number of measurements

Accuracy requirements for measuring equipment in performance measurements

The errors of the measuring equipment used should be at least 1/4 of the performance of the device to be tested.

Reference conditions

Rated operating conditions, or reference conditions, refer to the equalization of such factors independent of the apparatus as affect performance, in order to obtain comparable performance values from the apparatus.

In performance testing of the devices included in this catalogue the reference conditions should be as follows:

Ambient conditions

- ambient temperature: +20°C ± 2°C
- relative humidity of air: 65 % ± 5 %
- pressure of air: 860 to 1060 mbar

Auxiliary energy

Electrical devices

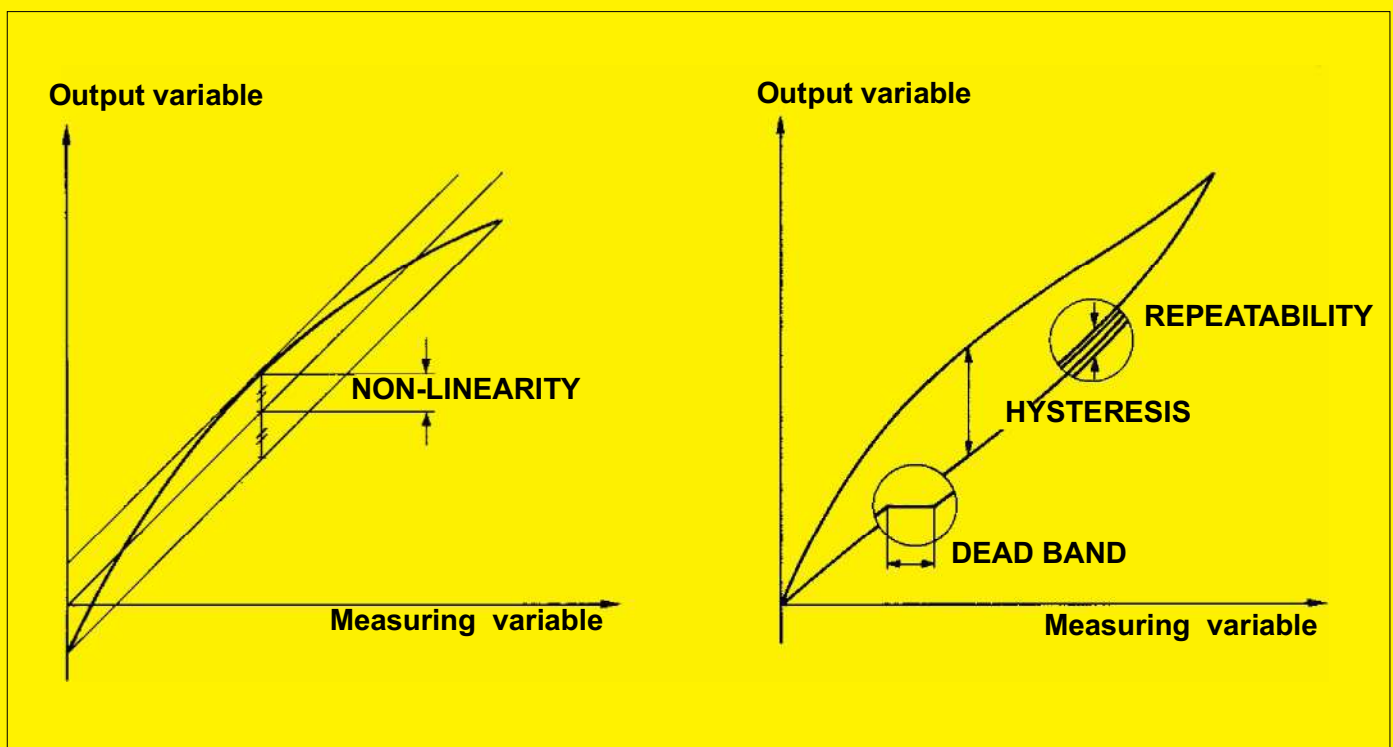
- supply voltage: nominal voltage ± 1 %
- ripple ≤ 0.1 % (with DC voltage)

Pneumatic devices

- supply pressure: nominal pressure ± 1 %
- supply air temperature: ambient temperature: ± 2°C
- supply air humidity: dew point at least 10°C lower than the temperature of the device being tested
- supply air free from dust and oil, particle size less than 3 µm.

Other conditions

Position of device when tested: nominal position (normal mounting position).
 Load: nominal load.



Pressure measurement

December 31, 2014

Our instruments for pressure measurement:

VT pressure transmitter Spec. BPV710
 VB pressure transmitter Spec. BPLV770

ALSO SUITABLE FOR PRESSURE MEASUREMENT
 VG pressure transmitter Spec. BPLV700
 VL pressure transmitter Spec. BLV820
SEE ALSO:
 HPS hydraulic pressure seal Spec. BP415

Process connections

Some typical connections for tapping the pressure are shown below. Fig. 1a is for liquids and gases, fig. 1b for steam, and fig. 1c for high-pressure service. Suggested material for the branch shown in fig. 1c is e.g. St35.8 or 13CrMo44. All burrs should be carefully removed from the tapping point. The processor coupling must be welded with a thin compound rod (max. diameter \varnothing 2.0 mm) to avoid harmful thermal strains, Fig. 1d.

Connection pipe

Recommended materials for the connection pipe:

- AISI304 stainless steel
- AISI316 acid-resistant steel

For high pressure measurements (above 100 bar):

- St35.8 or 13CrMo44 heat-resistant steels

Recommended pipe dimensions (o.d. x wall thickness):

- \varnothing 12 x 1 mm, \varnothing 12 x 1.5 mm, or \varnothing 14 x 2.5 mm.

It is recommendable always to equip the connection pipe with shut-off valves and, when necessary, with a pressure gauge connection valve.

For low pressures and for fluids liable to form sediments a ball valve should be used as shut-off valve. A threaded or welded needle valve is used for steam and high pressures.

Protection from pulsation

If pulsations caused by the process occur at the point of measurement, the instrument should be protected by means of a restriction, damping pot, or equivalent means. See figure 2 for connection pipe configuration. After the shut-off valve there is a bend for protective liquid or gas. A

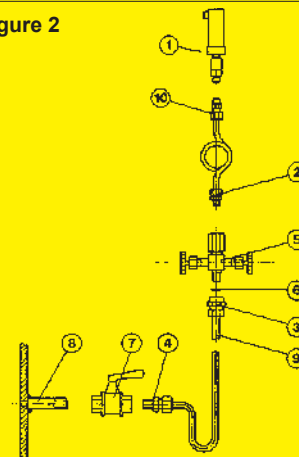
loop (12) is installed below the transmitter for collecting condensates.

Figure 2 gives an example of the measurement pipe arrangement for a pressure transmitter.

Figure 3 illustrates some applications of a pressure transmitter.

Pressure transmitters	Adjustability		Measuring range
	Span		
VT3	min. 1.4 kPa (14 mbar)	max. 35 kPa (350 mbar)	-35...+35 kPa (-350...350 mbar)
VT4	4 kPa (40 mbar)	100 kPa (1000 mbar)	-100...+100 kPa (-1000...1000 mbar)
VT5	26.5 kPa (265 mbar)	500 kPa (5000 mbar)	-100...+500 kPa (-1000...5000 mbar)
VT6	0.145 MPa (1.45 bar)	3 MPa (30bar)	-0.1...+3 MPa (-1...+30 bar)
VTA6	0.145 MPa (1.45 bar)	3 MPa (30 bar)	0...+3 MPa (0...+30 bar), abs.
VT7	1 MPa (10 bar)	15 MPa (150 bar)	0...+15 MPa (0...+150 bar), abs.
VT8	6.7 MPa (67 bar)	100 MPa (1000 bar)	-0.1...+100 MPa (-1...+1000 bar)
VB 4	4 kPa (40 mbar)	100 kPa (1000 mbar)	-100...+100 kPa (-1000...1000 mbar)
VB 5	10 kPa (100 mbar)	500 kPa (5000 mbar)	-100...+500 kPa (-1000...5000 mbar)
VB 6	0.03 MPa (0.3 bar)	3 MPa (30bar)	-0.1...+3 MPa (-1...+30 bar)

Figure 2



- 1 Pressure transmitter VT
- 2 \varnothing 12 / G $\frac{1}{2}$ stud coupling
- 3 \varnothing 12-G $\frac{1}{2}$ pressure gauge connector
- 4 \varnothing 12-G $\frac{1}{2}$ stud coupling
- 5 R1/2 pressure gauge connector
- 6 Gasket 18.5 x 7 mm
- 7 G $\frac{1}{2}$ ball valve
- 8 Process connection G $\frac{1}{2}$
- 9 Pipe 12 mm dia. x 1.5 mm AISI 316
- 10 \varnothing 12 / G $\frac{1}{2}$ connector

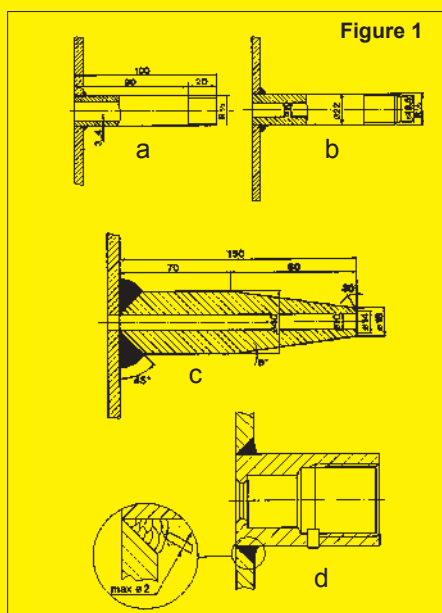
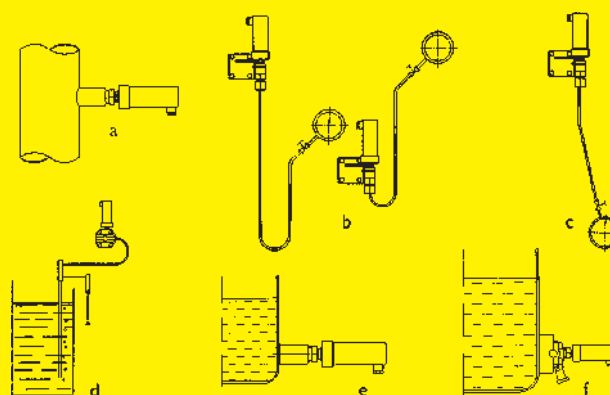


Figure 3



- Installation of pressure transmitter VG
- Steam and liquid pressure measurement
- Gas pressure measurement with pressure transmitter VT
- Level measurement using the bubbling method
- Level measurement with pressure transmitter VG
- Level measurement; installation by means of the PASVE mounting valve

SATRON VT Pressure Transmitter

BPV710
M2, revision 5
01.06.2015

SATRON VT pressure transmitter belongs to the series V-transmitters. SATRON VT is used for 0-1.4 kPa...0-100 MPa ranges. It is a 2-wire transmitter with HART® standard communication. In pressure measuring applications SATRON VT-transmitters are used for measuring the pressure of clean gases, steam and non-crystallizing liquids. The transmitter's sensor is piezoresistive. The rangeability is 100:1 for types VT6 - VT8.



TECHNICAL SPECIFICATIONS

Measuring range and span

See Selection Chart.

Zero and Span adjustment

Zero elevation: Calibrated span is freely selectable on the specified range depending from the desired option. This can be made by using extern control shafts, keyboard (display option), HART®275/375 communicator.

Damping

Time constant is continuously adjustable 0.01 to 60 s.

Temperature limits

Ambient: -30 to +80 °C

Process:

Process connections 1 and 2:

-30 to +125 °C

Process connections 3 and 5:

-30 to +80 °C

Shipping and storage: -40 to +80 °C.

Operating temperature of display:

0 to +50°C (does not affect operation of the transmitter)

Pressure limits Min. and max. process pressure: See the appended tables.

Volumetric displacement

< 0.5 mm³ /max. span

Output 2-wire (2W), 4-20 mA, user selectable for linear, square root, inverted signal or the transfer function (16 points) specified by the user

Supply voltage and permissible load

See the load capacity diagram;
4-20 mA output: 12-35 VDC.

Humidity limits

0-100 % RH; freezing of condensed water not allowed in reference pressure channels.

PERFORMANCE SPECIFICATIONS

Tested in accordance with IEC 60770: Reference conditions, specified span, no range elevation, horizontal mounting; AISI316L diaphragm, silicone oil fill.

Accuracy

Process connections 1 and 2:

±0.05 % of calibrated span
(span 1:1-5:1 /max.range).

Process connections 3 and 5:

±0.10 % of calibrated span
(span 1:1-5:1 /max.range).

On the measuring ranges 5:1-100:1:

±[0.025+0.01 x ($\frac{\text{max. span}}{\text{calibrated span}}$)]% of calibrated span

Diaphragm material AISI304:

±1,5 % of calibrated span
(span 1:1-100:1 /max.range).

(incl. nonlinearity, hysteresis and repeatability)

Long-term stability

±0.1 %/max. span/12 months

Temperature effect on compensated temperature ranges -20...+80 °C

Zero and span shift:
±0.15 % of max. span

Mounting position effect (VT3 - VT7)

Zero error < 0.32 kPa, which can be calibrated out.

VT8: mounting position has no effect

Vibration effect (IEC 68-2-6: FC):

±0.1 % of measuring range/
2g/10 to 2000 Hz
4g/10 to 100 Hz

Power supply effect

< ±0.01 of calibrated span per volt

Insulation test voltage

500 V rms 50 Hz

CONSTRUCTION AND CALIBRATION

Materials

Diaphragm ¹⁾: AISI316L (EN 1.4435), AISI304 (EN 1.4301), Duplex (EN 1.4462), Hast. C276 (EN 2.4819), Tantalum or Titanium Gr2 (EN 3.7035).

Other sensing element materials:
AISI316, SIS 2343.

Filling fluid: Silicone oil or inert oil (VT3 - VT7)

Enclosure class IP66

Housing with PLUG connector, housing type codes **H** and **T**

Housing: AISI316, Seals: Viton® and NBR

TEST jacks: MS358Sn/PVDF, protected with silicone rubber shield.

PLUG connector: PA6-GF30 jacket, Silicone rubber seal, AISI316 retaining screw.

Housing with junction box/terminal strip, housing type codes **M** and **N**

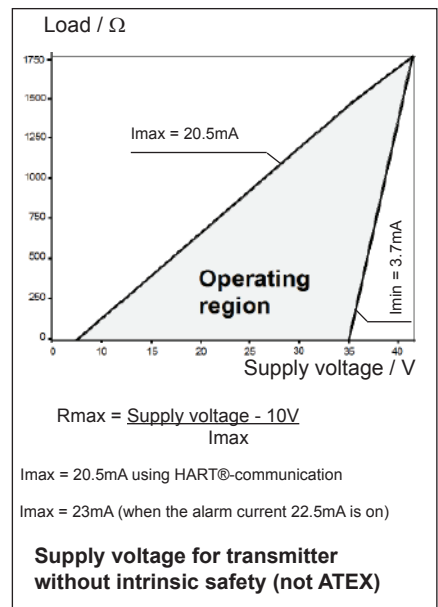
Housing: AISI303/316, Seals: Nitrile and Viton®; Nameplates: Polyester

Connection hose between sensing element and housing :

Codes **L** and **K** :

PTFE hose with AISI316 braiding.

¹⁾ Parts in contact with process medium



Pressure limits

Maximum process pressure, MPa

Transmitter type	Max. overload pressure	Pressure class
VT3	0.2	PN40
VT4	0.3	PN40
VT5	1.5	PN40
VT6	7.5	PN100
VT7	40.0	PN250
VT8	100.0	PN1000

Minimum process pressure

(VT8: no min. pressure limitations)

T _{proc.} °C	Minimum pressure for different fill fluids (kPa, abs.)	
	DC200 100 cSt	Inert oil
20	5	8
40	8	10
80	16	28
120	21	53

Calibration

For customer-specified range with 1 s. damping. (If range is not specified, transmitter is calibrated for maximum range.)

Electrical connections

Housing with PLUG connector, **H** and **T**:

PLUG connector, connector type DIN 43650 model AF; Pg9 gland for cable; wire cross-section 0.5 to 1.5 mm².

Housing with junction box/terminal strip, **M** and **N**:

M20x1.5, 1/2-NPT inlet; screw terminals for 0.5 to 2.5 mm² wires

Weight

Transmitter

- with housing types **H** and **T** : 0,7 kg

- with housing type **M** and **N** : 1.2 kg

Product Certifications**European Directive Information****Electro Magnetic Compatibility
(EMC directive 2004/108/EC)**

All pressure transmitters

Atex Directive (94/9/EC)

Satron Instruments Inc. complies with the ATEX Directive.

**European Pressure Equipment Directive (PED)
(97/23/EC)**

All Pressure Transmitters :

- Sound Engineering Practice

Transmitters with nominal pressure higher than 200 bar fulfil the requirements of the Conformity Assessment procedure Module A of the directive.

Hazardous Locations Certifications**European Certifications**

ATEX Intrinsic Safety

Certification No. : DNV-2007-OSL-ATEX- 1346X



II 1 GD T135°C EEx ia II C T4 -20°C ≤ Tamb ≤ 50°C



II 2 GD T135°C EEx ia II C T4 -20°C ≤ Tamb ≤ 50°C

Input Parameters :

Ui = 28 V

Ii = 93 mA

Pi = 0.651 W

Ci = 5 nF

Li = 0.2 mH

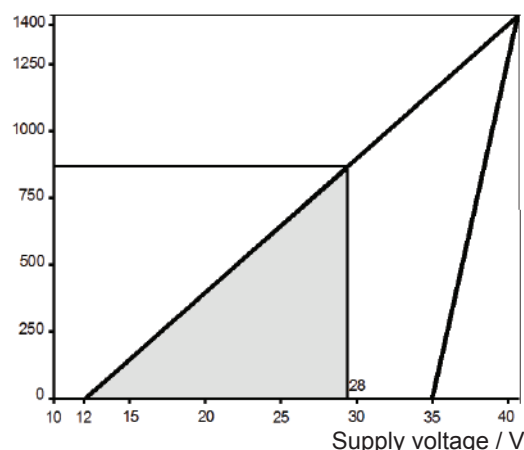
Special Conditions for Safe Use (X) :

The enclosure with plastic window and the plastic DIN43650 connector must not be installed in potentially explosive atmosphere requiring category 1 apparatus.

The non-conducting surface of the sensor element may be charged by the flow of non-conducting media, so there may be electrostatic hazard with IIC-gases. These units should be marked 2 GD.

The equipment shall be installed and connected according to the manufacturers instructions.

Load / Ω



$$R_{\max} = \frac{\text{Supply voltage} - 10V}{I_{\max}}$$

$I_{\max} = 20.5\text{mA}$ using HART®-communication

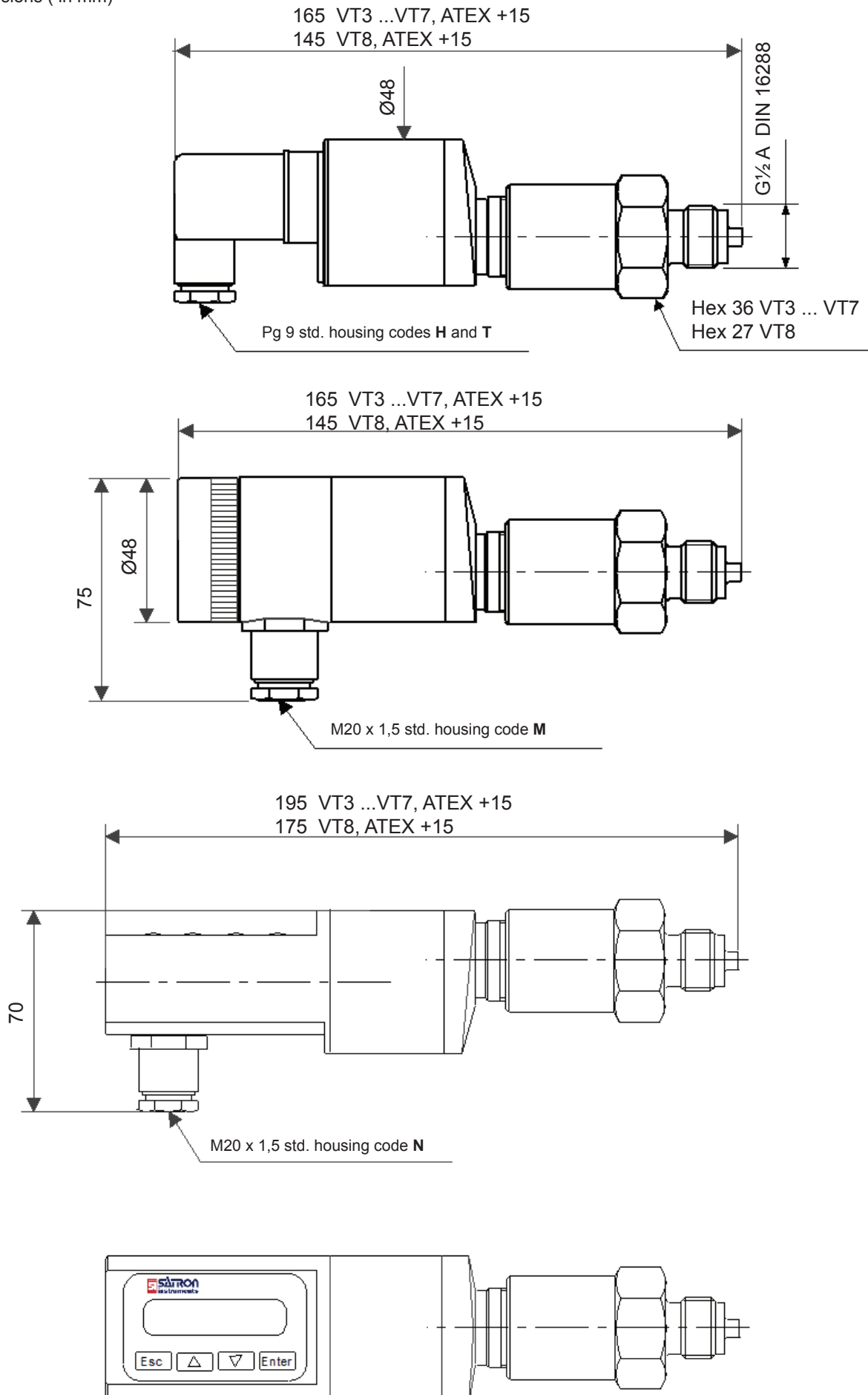
$I_{\max} = 23\text{mA}$ (when the alarm current 22.5mA is

**Supply voltage for transmitter
with certified intrinsic safety (ATEX)**

SATRON VT Pressure Transmitter

BPV710
01.06.2015

Dimensions (in mm)

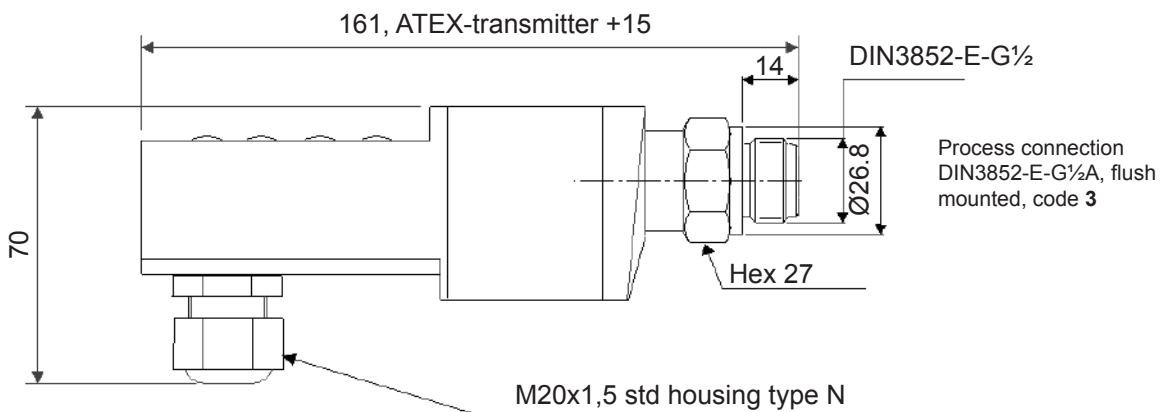
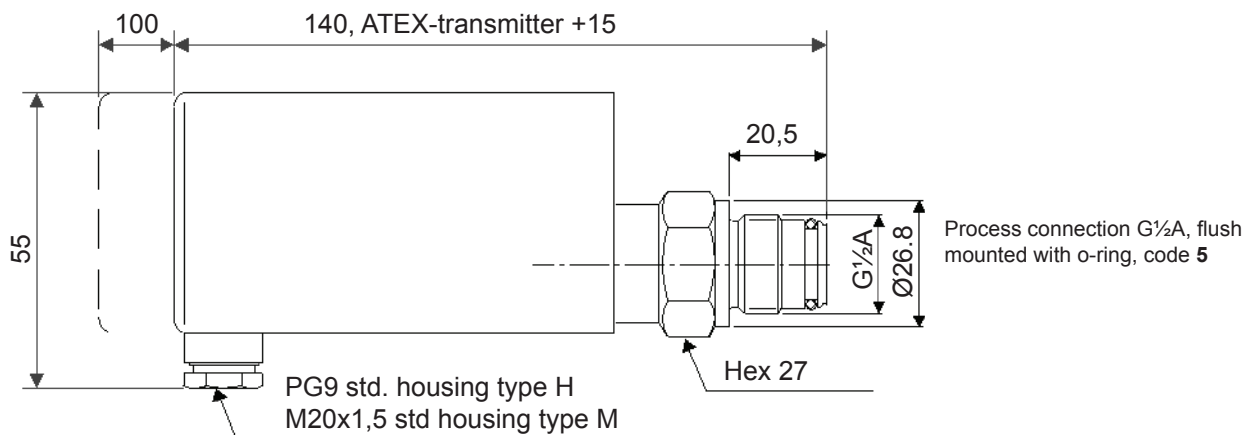
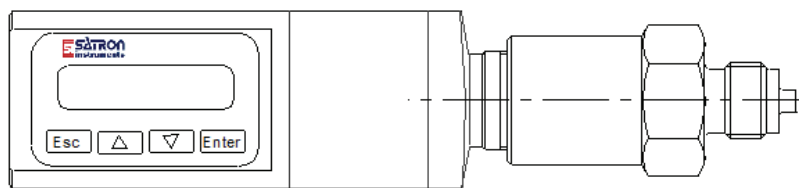
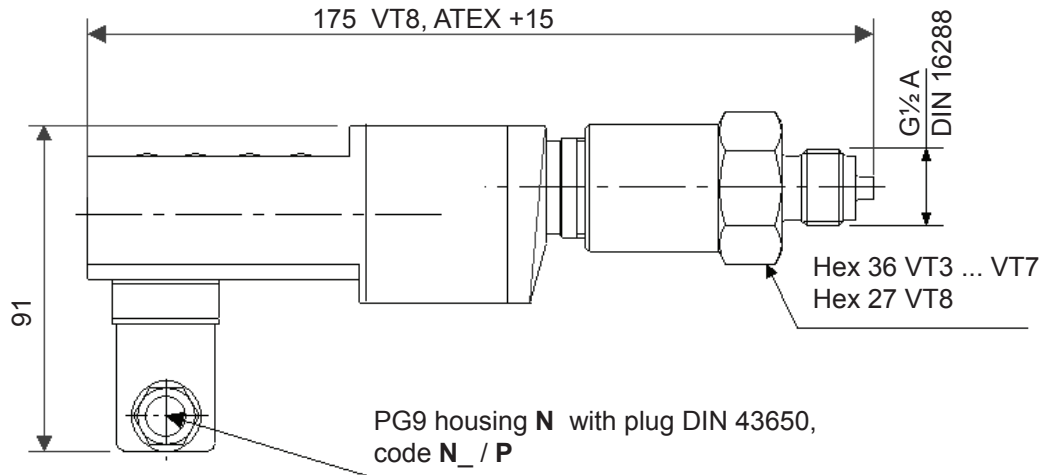


SATRON VT Pressure Transmitter

BPV710
01.06.2015

Dimensions (in mm)

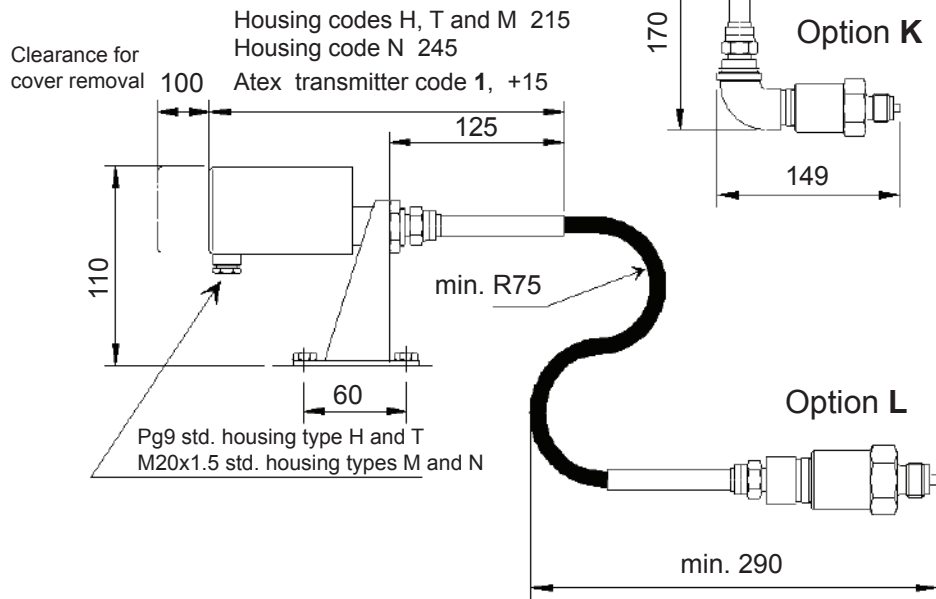
195 VT3 ...VT7, ATEX +15
175 VT8, ATEX +15



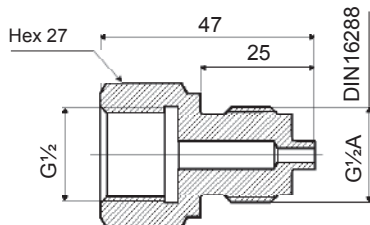
SATRON VT Pressure Transmitter

BPV710
01.06.2015

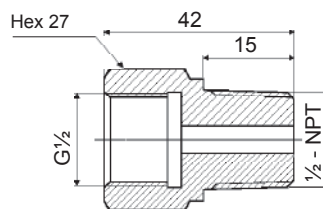
Dimensions (mm)



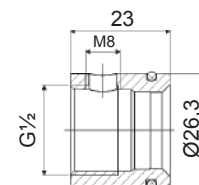
Remote electronics, connecting cable with protection hose, codes L and K



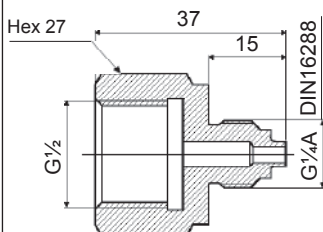
Thread DIN16288 - G $\frac{1}{2}$ A
Ordered code : T1320291



Thread 1/2 - 14 NPT
Ordered code : T1320293



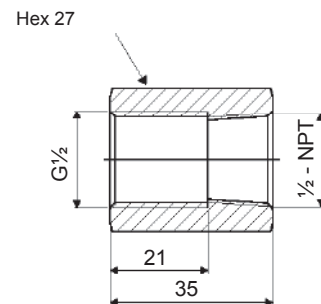
PMC 1" (Ø26,3), for process connection code 5
Ordered code : T1320310



Thread DIN16288 - G $\frac{1}{4}$ A
Ordered code : T1320292

For example the process connection of the flush mounted transmitter (DIN3852-E-G $\frac{1}{2}$) can be changed using modification adapters.

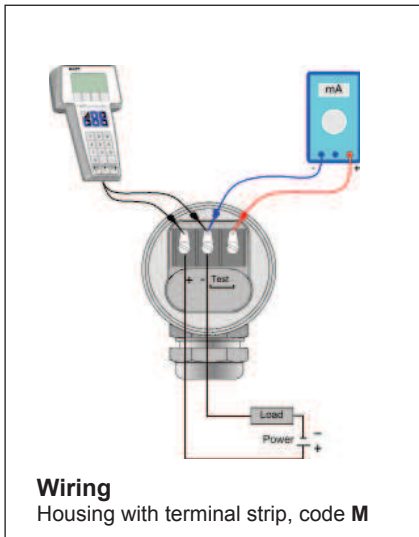
Other adapter sizes, please contact to Satron Instruments Inc.



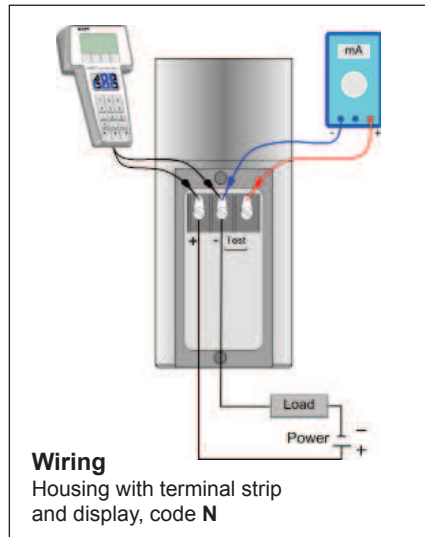
Thread 1/2 - 14 NPT, female
Ordered code : M1050471

Modification adapters of the process connection, for types VT3 ... VT8

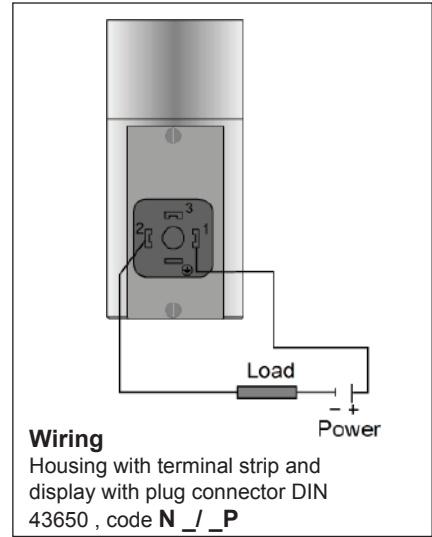
SATRON VT Pressure Transmitter



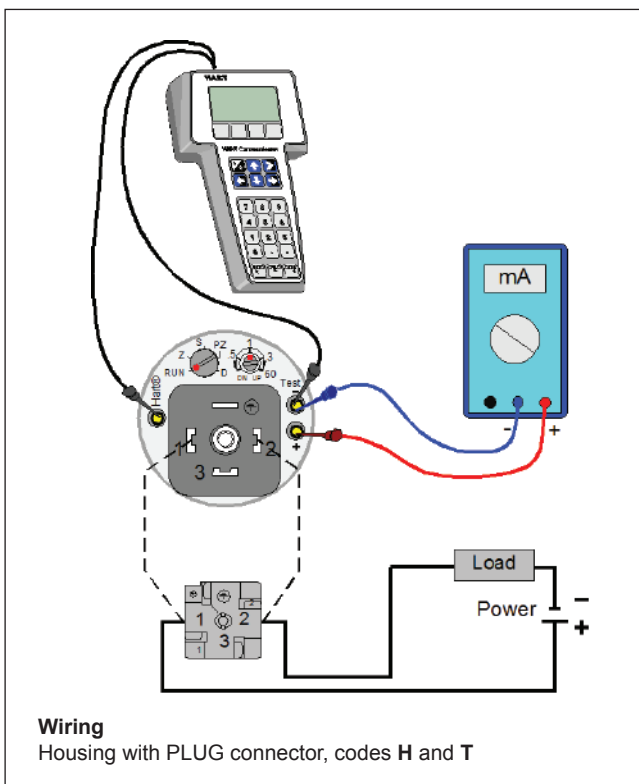
Wiring
Housing with terminal strip, code **M**



Wiring
Housing with terminal strip and display, code **N**



Wiring
Housing with terminal connector and display with plug connector DIN 43650, code **N/_/_P**



Wiring
Housing with PLUG connector, codes **H** and **T**



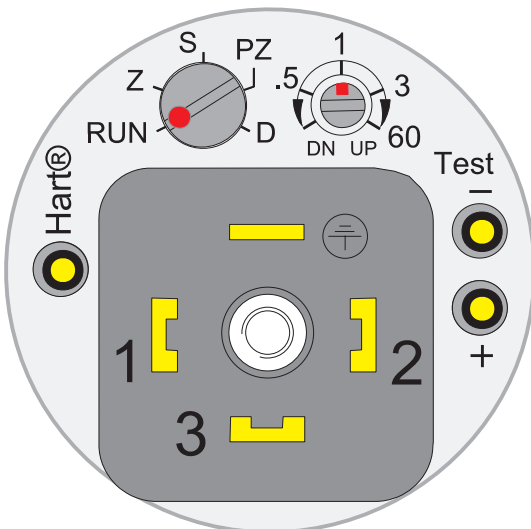
Keyboard :

- Esc = Press **Esc** move back towards the top of the main menu.
- ▲ = Use the **UP** arrow key to move up on the current menu level or to increase the selected parameter value.
- ▼ = Use the **DOWN** arrow key to move down on the current menu level or to decrease the selected parameter value.
- Enter = Press **ENTER** to move to a lower level in a menu or to accept a command or parameter value.

Housing with display, code N

Use of selector switch :

- RUN = working position
- PZ = Process value zero
- D = Damping adjustment
- S = Span adjustment
- Z = Zero adjustment
- DN = Down
- UP = Up



Housing with PLUG connector, code T

Selection Chart

Adjustability	Span, min	Span, max	Measuring range
VT3	1.4 kPa (14 mbar)	35 kPa (350 mbar)	-35...+35 kPa (-350...350 mbar)
VT4	4 kPa (40 mbar)	100 kPa (1000 mbar)	-100...+100 kPa (-1000...1000 mbar)
VT5	10 kPa (100 mbar)	500 kPa (5000 mbar)	-100...+500 kPa (-1000...5000 mbar)
VTA5	10 kPa (100 mbar)	500 kPa (5000 mbar)	0...+500 kPa (0...5000 mbar), abs.
VT6	0.03 MPa (0.3 bar)	3 MPa (30bar)	-0.1...+3 MPa (-1...+30 bar)
VTA6	0.03 MPa (0.3 bar)	3 MPa (30 bar)	0...+3 MPa (0...+30 bar), abs.
VT7	0.15 MPa (1.5 bar)	15 MPa (150 bar)	0...+15 MPa (0...+150 bar), abs.
VT8	1 MPa (10 bar)	100 MPa (1000 bar)	-0.1...+100 MPa (-1...+1000 bar)


Output S 4-20mA DC/HART® -protocol


Process connection
1 G 1/2A DIN 16288 (male) **2** 1/2 - NPT (male) **3** DIN 3852-X-G1/2A (male), Flush Mounted, not VT3, VT8
5 G1/2A (male), Flush Mounted, with o-ring, not VT3, VT8

Wetted material	Body	Diaphragm
	Code Material	Code Material
	2 AISI316L (EN 1.4404)	2 AISI316L (EN 1.4435) (no VT8)
	3 Hast. C 276 (EN 2.4819) (*)	3 Hast. C276 (EN 2.4819) (no VT3, VT8) (*)
	6 Titanium Gr2 (EN 3.7035) (*)	5 Tantalum (no VT3, VT8) (*)
	8 Duplex (EN 1.4462) (*)	6 Titanium Gr2 (EN 3.7035) (no VT3, VT4) (*)
		8 Duplex (EN 1.4462) (no VT3, VT8) (*)
		A AISI304 (EN 1.4301)

Fill fluid (specify for types VT3 - VT7) **S** Silicone oil **G** Inert oil

Housing type
H Housing with PLUG-connector, DIN43650, no display, inlet PG9
T Housing with PLUG-connector and with manual adjust, DIN43650, no display, inlet PG9, (no ATEX)
M Housing with junction box/terminal strip, no display, inlet M20x1,5
N Housing with junction box/terminal strip, with display, inlet M20x1,5

Explosion proof **0** No explosion proof classification **1** Atex Intrinsic Safety,  II 1 GD T135°C (**)



Process coupling
0 No coupling
1 Threaded coupling G1/2, DIN 16288
2 Threaded coupling G1/2, DIN 3852-X-G1/2 (Flush-Mounted)
3 Threaded coupling G1/2, for process connection code 5
4 Threaded coupling 1/2 - NPT, for process connection code 2

Special size of electrical inlet
N 1/2 NPT **G** Pg13.5 **P** Plug DIN 43650

Special features

Remote electronics (specify only if housing connected with cable to sensing element)
- connecting cable with protection hose
L Hose protected with PTFE/AISI316 braiding, straight
K Hose protected with PTFE/AISI316 braiding, angle of 90°


Length of connection cable between sensing element and housing
2 2 m cable **3** 3 m cable etc. (max. 10 meter)

Mounting parts for remote electronics for Ø 51 mm tube
0 No mounting parts **1** Mounting parts

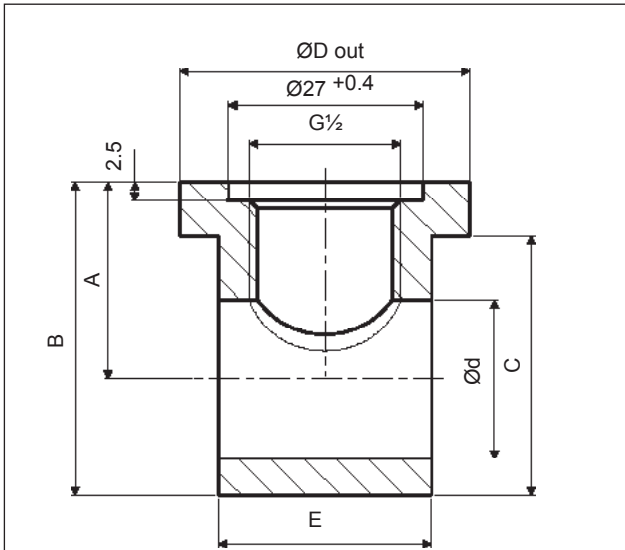
Documentation
Calibration certificate **AE** English
Installation and operating instructions **IE** English **IF** Finnish

Material certificates
O No material certificate
MC1 Raw material certificate without appendices, in accordance with SFS-EN 10204-2.1 (DIN 50049-2.1) standard
MC2 Raw material certificate for wetted parts, in accordance with SFS-EN 10204-2.2 (DIN 50049-2.2) standard
MC3 Raw material certificate for wetted parts, in accordance with SFS-EN 10204-3.1 B (DIN 50049-3.1 B) standard

(*) = not for process connection code 3

(**) = Housing H and N :  II 2 GD T135°C
ATEX transmitter with display are the model without membrane key.

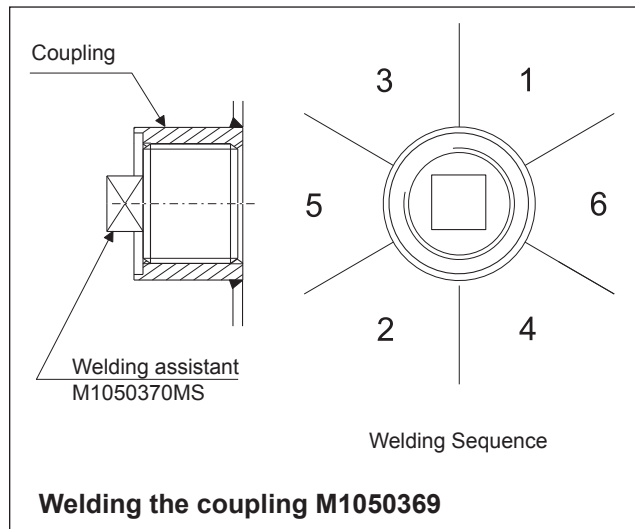
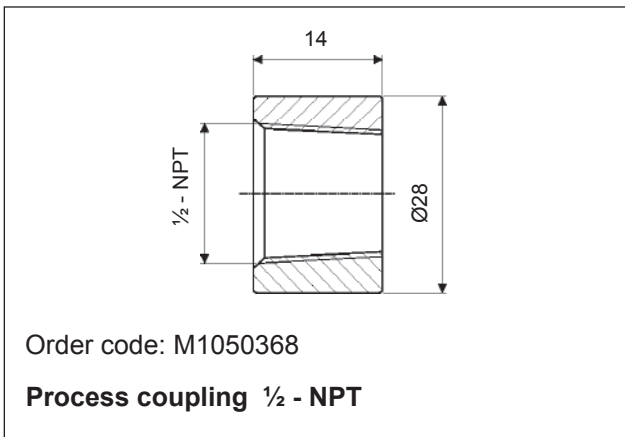
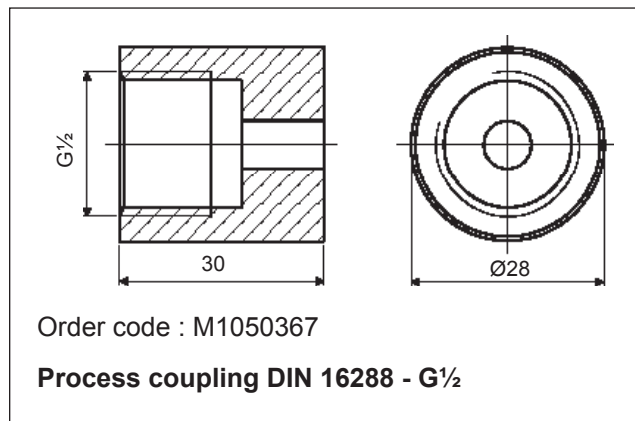
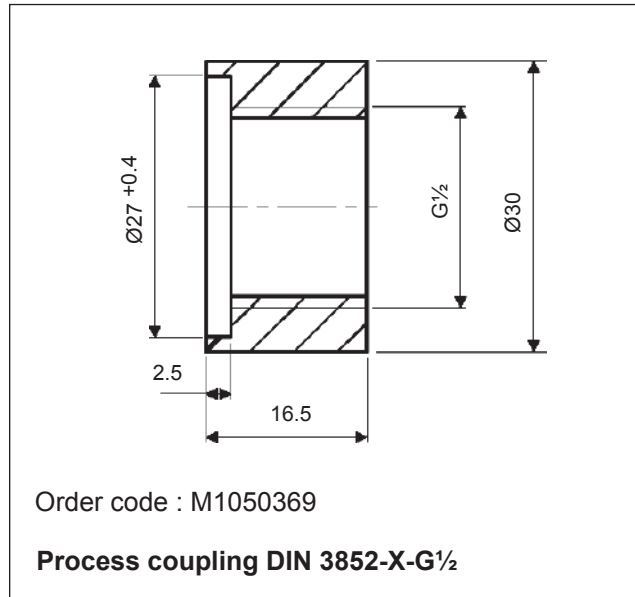
Process couplings



Pipe size	Dim. ØD out	Dim. A	Dim. B	Dim. C	Dim. Ø d	Dim. E	Order code
DN15	40	27.5	43.5	36	22 ^{+0.2} ₀	29.5	M1050395
DN20	40	30.5	49	42	27.5 ^{+0.3} ₀	26	M1050396
DN25	50	33.5	55.5	48	34 ^{+0.5} _{+0.2}	29.5	M1050397

Other sizes, please contact to Satron Instruments Inc.

T-coupling DIN 3852-X-G¹/₂, sizes DN15 - 25



We reserve the right for technical modifications without prior notice.
 HART® is a registered trademark of HART Communication Foundation.
 Viton® is the registered trademark of DuPont Down Elastomers.
 Hastelloy® is the registered trademark of Haynes International.
 Teflon® is the registered trademark of E.I. du Pont de Nemours & Co



SATRON VB Pressure Transmitter

SATRON VB pressure transmitter belongs to the series V transmitters.

SATRON VB is user-friendly, through the ball valve mounted transmitter which is used for 0-4 kPa ... 0-3 MPa ranges. The transmitter communicates in a 2-wire system.

In pressure measuring applications SATRON VB transmitter is used for measuring the pressure of gases, steams and sedimenting, crystallizing and sticking liquids. The transmitter's sensor is piezoresistive. The rangeability of the model VB6 is 100:1. The transmitter communicates digitally using the HART® protocol.

TECHNICAL SPECIFICATIONS

Measuring range and span

See Selection Chart.

Zero and Span adjustment

Zero elevation: Calibrated span is freely selectable on the specified range depending from the desired option. This can be made by using a HART@275/375 communicator.

Damping

- Time constant is continuously adjustable from 0.01 to 60 s.

Response time

Maximum 100 ms

Temperature limits

Ambient: -30 to +80 °C

Process: -30 to +125 °C

Shipping and storage: -40 to +80 °C

Operating temperature of display: 0 to +50°C (does not affect operation of the transmitter)

Pressure limits

Min. and max. process pressure:
See the appended tables.

Volumetric displacement

< 0.5 mm³/max. span

Output 2-wire (2W), 4-20 mA, user selectable for linear, square root, inverted signal or the transfer function (16 points) specified by the user.

Supply voltage and permissible load

See the load capacity diagram;
4-20 mA output: 12 - 35 VDC.

Humidity limits

0-100 % RH; freezing of condensed water is not allowed in reference pressure channels.

PERFORMANCE SPECIFICATIONS

Tested in accordance with IEC 60770: Reference conditions, specified span, no range elevation, horizontal mounting; O-ring seals, AISI316L diaphragm, silicone oil fill.

Accuracy

±0.1 % of calibrated span
(span 1:1 - 7.5:1 / max.range).

On the measuring ranges

7.5:1 - 100:1:

$\pm[0.025+0.010 \times (\frac{\text{max.span}}{\text{calibrated span}})]\%$

of calibrated span
(incl. nonlinearity, hysteresis and repeatability)

Long-term stability

±0.1 % / max. span / 12 months

Temperature effect on compensated temperature ranges -20...+80 °C:

Zero and span error, types VB5 and VB6: ±0.15 % of max.span.

Zero and span error, type VB4:
±0.25 % of max.span

Mounting position effect (VB4 ... VB6)

Zero error < 0.15 kPa which can be calibrated out.

Vibration effect (IEC 68-2-6: FC):

±0.1 % of measuring range/

2g/10 to 2000 Hz

4g/10 to 100 Hz

Power supply effect

< ±0.01 % of calibrated span per volt

European Directive Information

European Pressure Equipment Directive (PED) (97/23/EY)

- Sound Engineering Practice
Electro Magnetic Compatibility (EMC directive 2004/108/EC)

-All pressure transmitters

Insulation test voltage

500 V rms 50 Hz



CONSTRUCTION

Wetted materials: AISI316L (EN 1.4404 and EN 1.4435)

Other materials: AISI316L, AISI303

Housing with PLUG connector, housing type code H

Housing: AISI303/316

Seals: Viton® and NBR

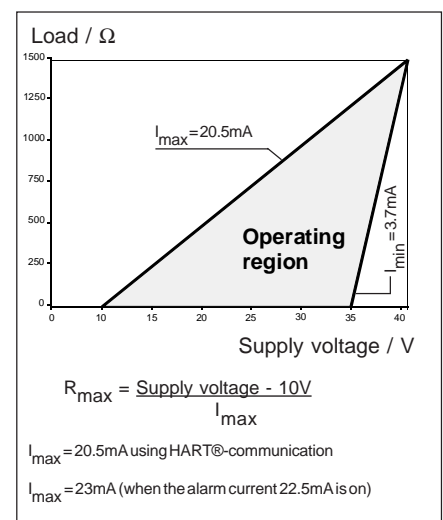
TEST jacks: MS358Sn/PVDF, protected with silicone rubber shield.
PLUG connector: PA6-GF30 jacket, Silicone rubber seal, AISI316 retaining screw.

Housing with junction box/terminal strip, housing type codes M and N

Housing: AISI303/316; Seals: Nitrile and Viton®; Nameplates: Polyester

Filling fluid: Silicone oil or inert oil

Enclosure class IP66



Pressure limits

Maximum process pressure, MPa

Transmitter type	Max. overload. pressure, MPa	Pressure class
VB4	0.3	PN40
VB5	1.5	PN40
VB6	7.5	PN100

Minimum process pressure

T _{proc.} °C	Minimum pressure for different fill fluid (kPa, abs.)	
	DC200 100 cSt	Inert oil
20	5	8
40	8	10
80	16	28
120	21	53

Calibration

Transmitter is calibrated for maximum range with 1 sec. damping
Calibration for customer-specified range and item positioning must be mentioned in the order.

Electrical connections

Housing with PLUG connector, code **H**
PLUG connector, connector type DIN 43650 model AF; Pg9 gland for cable; wire cross section 0,5...1,5 mm².
Housing with junction box/terminal strip, code **M**
M16x1.5 inlet; screw terminals for
0,5...2,5 mm² wires

Product Certifications**European Directive Information****Electro Magnetic Compatibility (EMC directive 2004/108/EC)**

All pressure transmitters

Atex Directive (94/9/EC)

Satron Instruments Inc. complies with the ATEX Directive.


European Pressure Equipment Directive (PED) (97/23/EC)


All Pressure Transmitters :
- Sound Engineering Practice

Hazardous Locations Certifications**European Certifications**

ATEX Intrinsic Safety

Certification No. : DNV-2007-OSL-ATEX- 1346X

 II 1 GD T135°C EEx ia II C T4 -20°C ≤ Tamb ≤ 50°C

 II 2 GD T135°C EEx ia II C T4 -20°C ≤ Tamb ≤ 50°C

Input Parameters :

$U_i = 28 \text{ V}$

$I_i = 93 \text{ mA}$

$P_i = 0.651 \text{ W}$

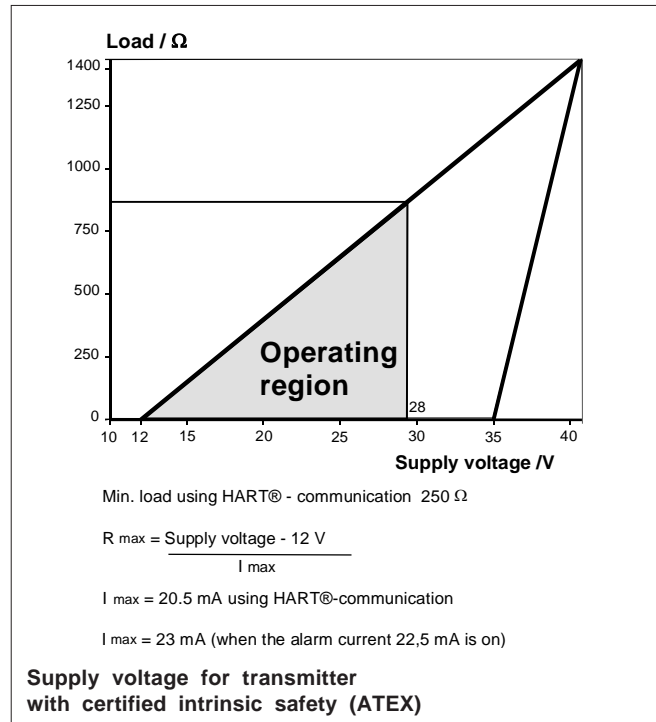
$C_i = 5 \text{ nF}$

$L_i = 0.2 \text{ mH}$

Special Conditions for Safe Use (X) :

The enclosure with plastic window and the plastic DIN43650 connector must not be installed in potentially explosive atmosphere requiring category 1 apparatus.

The non-conducting surface of the sensor element may be charged by the flow of non-conducting media, so there may be electrostatic hazard with IIC-gases. These units should be marked 2 GD. The equipment shall be installed and connected according to the manufacturers instructions.

**Weight**

Transmitter
- with housing type **H**: 0.9 kg
- with housing type **M**: 1.4 kg
- with housing type **N**: 1.5 kg



Keyboard :

Esc = Press **Esc** to move back towards the top of the main menu.

▲ = Use the UP arrow key to move up on the current menu level or to increase the selected parameter value.

▼ = Use the DOWN arrow key to move down on the current menu level or to decrease the selected parameter value.

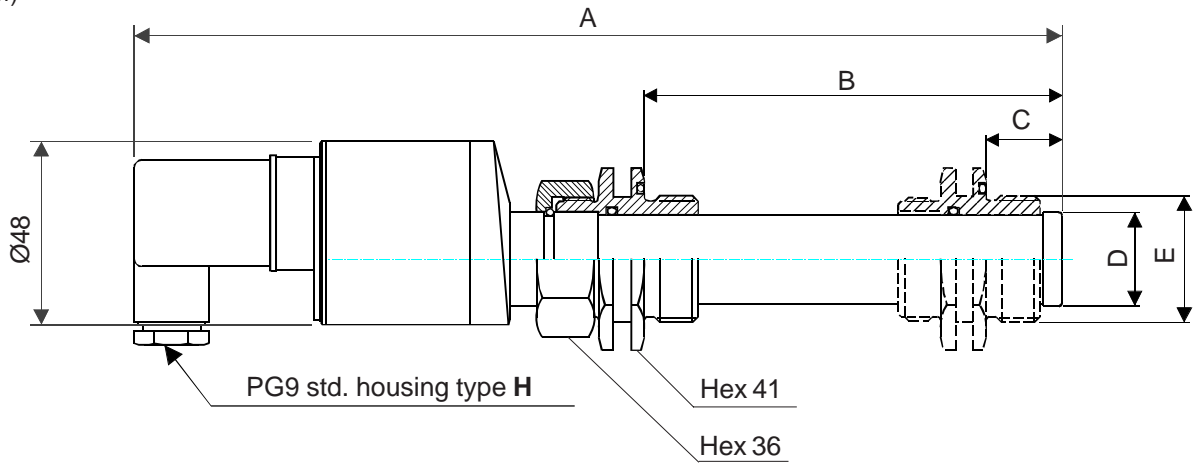
Enter = Press **Enter** to move to a lower level in a menu or to accept a command or parameter value.

Housing with display, code N

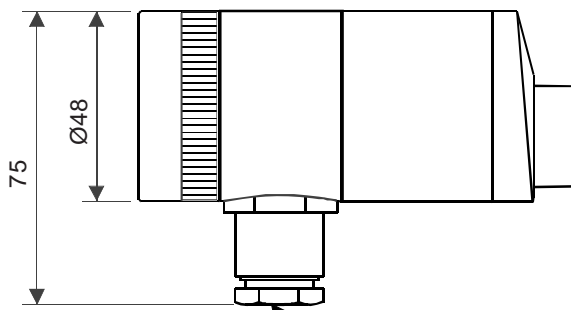
SATRON VB Pressure Transmitter

BPLV770
15.2.2013

Dimensions
(mm)

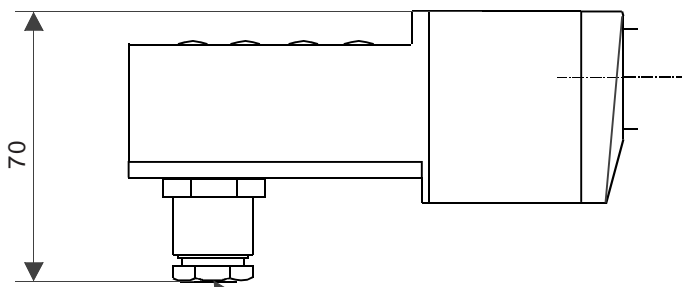


Process connection code	Dim. A	Dim. B	Dim. C	Dim. D	Thread E
1	228	109	20	$\text{Ø}24.5$	G1A



Housing with junction box/terminal strip, code M

M20 x 1,5 std. housing type M

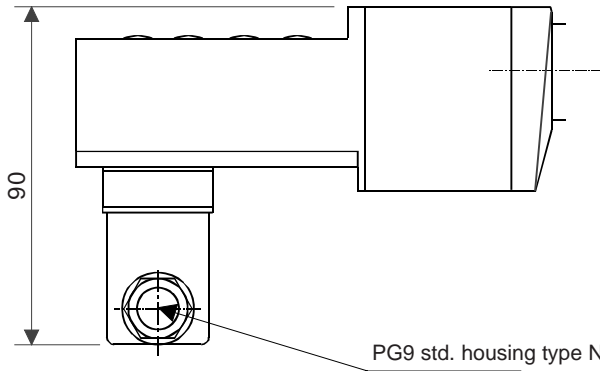


Housing with junction box/terminal strip, with display, code N

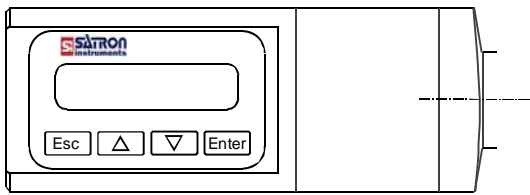
M20 x 1,5 std. housing type N

SATRON VB Pressure Transmitter

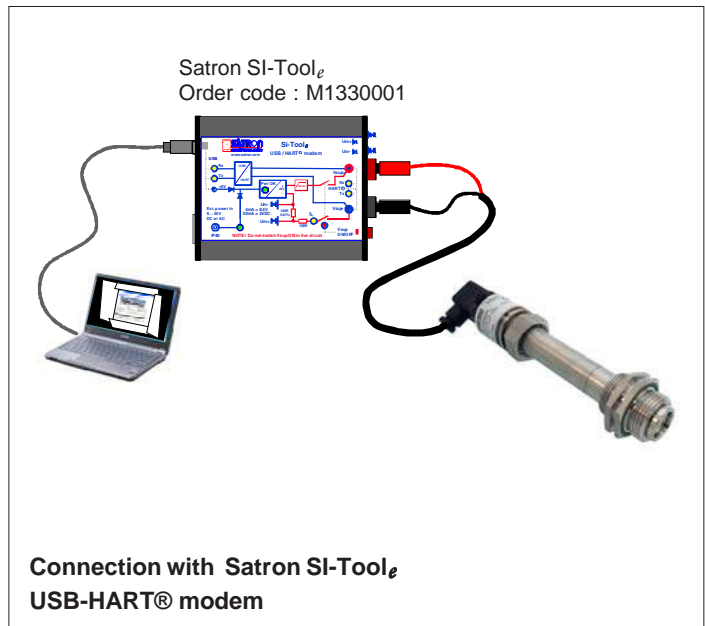
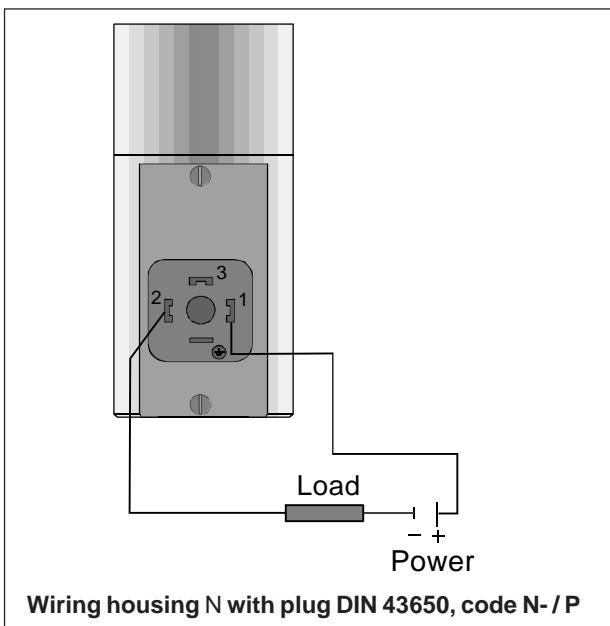
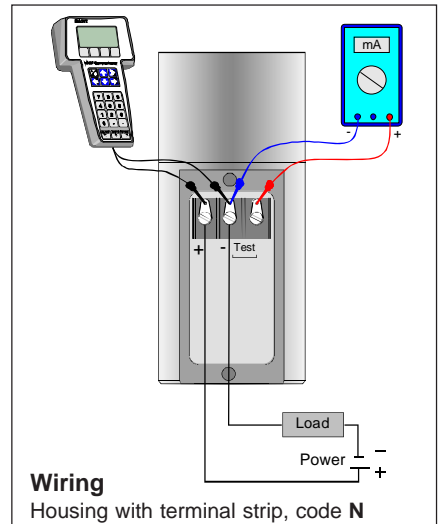
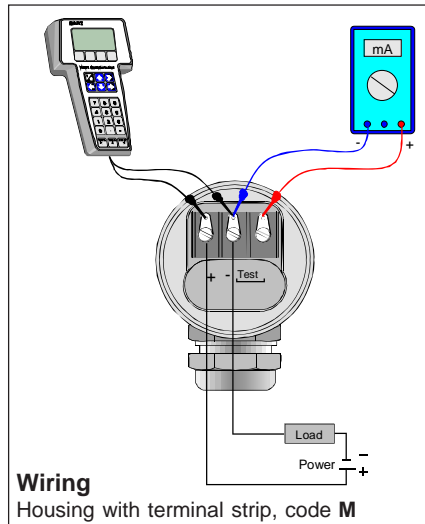
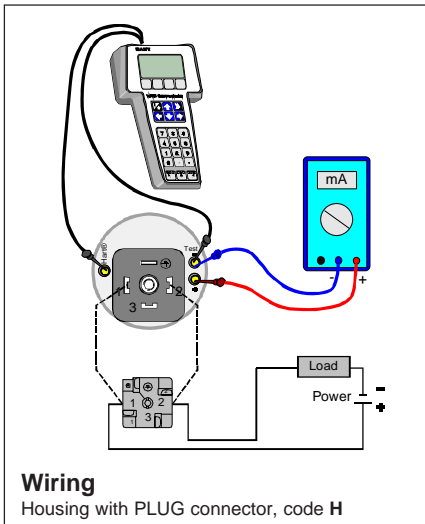
BPLV770
15.2.2013



Housing with junction box/terminal strip, with display and plug-connector DIN 43650, code N--- /-P



PG9 std. housing type N with plug DIN 43650



Selection Chart

Adjustability	Span, min	Span, max	Measuring range
VB 4	4 kPa (40 mbar)	100 kPa (1000 mbar)	-100...+100 kPa (-1000...1000 mbar)
VB 5	10 kPa (100 mbar)	500 kPa (5000 mbar)	-100...+500 kPa (-1000...5000 mbar)
VB 6	0.03 MPa (0.3 bar)	3 MPa (30bar)	-0.1...+3 MPa (-1...+30 bar)


Output	S 4-20mA DC/HART®
---------------	--------------------------


Process connection	1 Thread G1A, extension diameter Ø24.5 mm, extension length 109 mm		
---------------------------	--	--	--

Wetted materials	Body	Diaphragm
	Code Material	Code Material
	2 AISI316L (EN 1.4404)	2 AISI316L (EN 1.4435)

Fill fluid	S Silicone oil	G Inert oil (*)
-------------------	-----------------------	------------------------

Housing type	H Housing with PLUG-connector, DIN43650, no display, inlet PG9 M Housing with junction box/terminal strip, no display, inlet M20x1,5 N Housing with junction box/terminal strip, with display, inlet M20x1,5		
---------------------	---	--	--

Explosion proof	0 No explosion proof classification 1 Atex Intrinsic Safety,  II 1 GD T135°C (**) 		
------------------------	--	--	--




Special size of electrical inlet	N 1/2 NPT	G Pg13,5	P PLUG connector, DIN43650
---	------------------	-----------------	-----------------------------------

Documentation	Calibration certificate AE English		
Installation and operating instructions	IE English	IF Finnish	

Material certificates	O No material certificate MC1 Raw material certificate without appendices, in accordance with SFS-EN 10204-2.1 (DIN 50049-2.1) standard MC2 Raw material certificate for wetted parts with appendices, in accordance with SFS-EN 10204-2.2 (DIN 50049-2.2) standard MC3 Raw material certificate for wetted parts with appendices, in accordance with SFS-EN 10204-3.1 B (DIN 50049-3.1 B) standard		
------------------------------	--	--	--

(*) = Oxygen cleaning must be mentioned in the order

(**) = Housing H and N :  II 2 GD T135°C
ATEX transmitters with display are the model without membrane key.



Satron Instruments Inc.
P.O.Box 22, FI-33901 Tampere, Finland
Tel. +358 207 464 800, Fax +358 207 464 801
www.satron.com

We reserve the right for technical modifications without prior notice.

HART® is a registered trademark of HART Communication Foundation.
Viton® is the registered trademark of DuPont Down Elastomers.



Differential pressure measurement

April 30, 2010

Our instruments for differential pressure measurement:

VDt differential pressure transmitter.....Spec.BPdT750

VDU differential pressure transmitter

using two separate pressure sensors...Spec. BPDUV760

ALSO SUITABLE FOR DIFFERENTIAL PRESSURE MEASUREMENT

VDtL differential pressure transmitter

....Spec.BLVT830

Points to be considered in the installation of differential pressure transmitters

The transmitter should be mounted at a vibration-free location near the point of measurement, which should be selected in such a way that the effects of disturbance factors are as small as possible.

Some of the most common faults noticed in the selection of the point of measurement:

- Pumps and compressors are too close, producing pronounced pulsations (see page 1/01 for protection against pulsations).
- Pipe bend or valve too close.

- Velocity of flow too high in density measurement.
- Incorrectly chosen points of measurement in level measurement (e.g. at a point where flow occurs).

Section 2/02 gives further instructions for the installation of a transmitter for flow measurement.

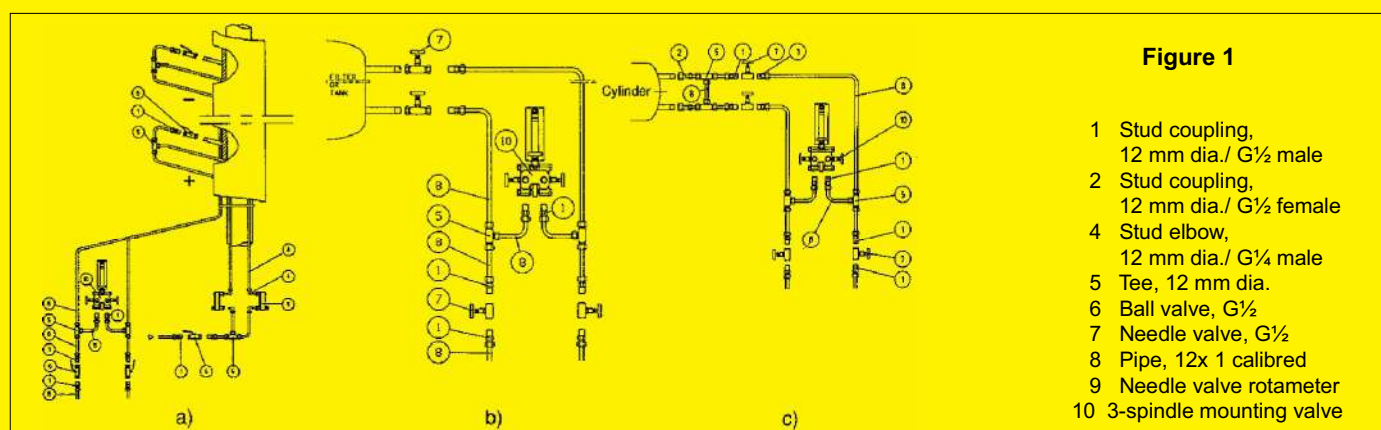
When measuring corrosive, viscous, or impure media, a continuous or periodic water purging is employed to protect the transmitter and to keep the measurement piping clean. The flow of the purging water is regulated by means of a miniature rotameter equipped with a needle valve (fig. 1 a) or, in periodic purging, by means of a solenoid valve.

The purging water is often taken directly from the water mains, and possible impurities or

pressure variations in the mains may cause disturbances in purging water supply. In important cases it is advisable to use condensate for purging and to use a separate purging water pump in order to obtain a sufficient and steady pressure. The purging water pipes should be connected as close to the process connection of the measurement piping as possible.

VDt Differential Pressure Transmitter			
	Adjustability (\pm)		Measuring range
	Span, min.	Span, max.	
2	0.1 kPa (1 mbar)	6 kPa (60 mbar)	-6...+6 kPa (-60...+60 mbar)
3	1.4 kPa (14 mbar)	35 kPa (350 mbar)	-35 kPa...+35 kPa (-350...+350 mbar)
4	4 kPa (40 mbar)	100 kPa (1000 mbar)	-100...+100 kPa (-1000...+1000 mbar)
5	26.5 kPa (265 mbar)	500 kPa (5000 mbar)	-500...+500 kPa (-5000...+5000 mbar)
6	0.145 MPa (1.45 bar)	3 MPa (30 bar)	-3...+3 MPa (-30...+30 bar)
7	1 MPa (10 bar)	15 MPa (150 bar)	-15...+15 MPa (-150...+150 bar)

VDU Differential Pressure Transmitter using two separate pressure sensors			
	Adjustability (\pm)		Measuring range
	Span, min.	Span, max.	
3	1.4 kPa (14 mbar)	35 kPa (350 mbar)	-35...+35 kPa (-350...+350 mbar)
4	4 kPa (40 mbar)	100 kPa (1000 mbar)	-100...+100 kPa (-1000...+1000 mbar)
5	26.5 kPa (265 mbar)	500 kPa (5000 mbar)	-100...+500 kPa (-1000...+5000 mbar)
6	0.145 MPa (1.45 bar)	3 MPa (30 bar)	-0.1...+3 MPa (-1...+30 bar)





Satron Instruments Inc.
P.O.Box 22, FI-33901 Tampere, Finland
Tel. +358 207 464 800, Fax +358 207 464 801
www.satron.com

We reserve the right for technical modifications without prior notice.

HART® is a registered trademark of HART Communication Foundation.
Viton® is the registered trademark of DuPont Down Elastomers.



SATRON VDt Differential Pressure Transmitter

SATRON VDt differential pressure transmitter belongs to V-transmitter family. The series V transmitters have both analog and smart properties. SATRON VDt is used for 0-0,1kPa...0-15 MPa ranges. It is a 2-wire transmitter with HART® standard communication. In pressure measuring applications SATRON VDt transmitters are used for measuring differential pressure and absolute pressure. SATRON VDt transmitter is equipped with an SOS (Silicon On Sapphire) or piezoresistive sensing element. The rangeability is 25:1.

TECHNICAL SPECIFICATIONS

Measuring range and span

See Selection Chart.

Zero and Span adjustment

Zero elevation: Calibrated span is freely selectable on the specified range depending from the desired option. This can be made by using external control shafts (analog option), keyboard (display option), HART®275/375 communicator.

Damping

Time constant is continuously adjustable 0,01 to 60 s.

Temperature limits

Sensing element operating:

- 30 to +125 °C

Electronics operating: -30 to +80 °C

Shipping and storage: -50 to +80 °C.

Operating temperature of display: 0 to +50°C (does not affect operation of the transmitter)

Pressure limits

Min. and max. process pressure:

Type	Max. overload pressure, MPa	Pressure class
VDt2	4	PN40
VDt3	10	PN100
VDt4,5	10	PN100
VDt6	10	PN100
VDt3,4,5,7	40	PN420
VDt6	15	PN420

Transmitter operates within specifications for pressures above 10 mbar abs.

Process chamber volume (cm³)

Type	Volume (cm ³)	
	Standard transmitter	with hydraulic seal
VDt2...7	2.5	2.0

Volume of negative-side process chamber: < 1 cm³.

Output 2-wire (2W), 4-20 mA, user selectable for linear, square root, inverted signal or the transfer function (16 points) specified by the user

Supply voltage and permissible load

See the load capacity diagram;
4-20 mA output: 12 - 35 VDC.

Humidity limits

0-100 % RH

PERFORMANCE SPECIFICATIONS

Tested in accordance with IEC 60770: Reference conditions, specified span, no range elevation, horizontal mounting; AISI316L-diaphragm, silicone oil fill.

Accuracy

±0.05 % of calibrated span
(span 1:1-5:1 / max.range).

On the measuring ranges 5:1-60:1:

$\pm[0.01+0.008 \times (\frac{\text{max. span}}{\text{calibrated span}})]\%$ of calibrated span

Special accurate diaphragm AISI304:

±1.5 % of calibrated span
(For spans 1:1 - 60:1)

(incl. nonlinearity, hysteresis and repeatability)

Long-term stability

±0.1 % of max. span / year

Temperature effect on compensated temperature ranges -20 to 80 °C

Zero and span shift: ±0,15 % of max. span

Static pressure effect on Zero of max. span

VDt2: ±0,2 % / 4 MPa
VDt3...5, PN100: ±0,2 % / 10 MPa
VDt6...7, PN100 / PN400: ±0.3 % / 10 MPa

Overpressure effect on Zero of max. span

VDt2: ±0,5 % / 4 MPa;
VDt3...7: PN100: ±0,3 % / 10 MPa;
PN400: ±1 % / 40 MPa.

Mounting position effect

Zero error ± 0.4 kPa, which can be calibrated out.

Vibration effect (IEC 61298-3):

±0.1 % of measuring range

Power supply effect

< ±0.01 % of calibrated span / volt.

Insulation test voltage

500 V rms 50 Hz

CONSTRUCTION AND CALIBRATION

Materials

Diaphragms ¹⁾: AISI316L (EN 1.4435), AISI304 (EN 1.4301), Duplex (EN 1.4462), Hast. C276 (EN 2.4819) or Tantalum.

Flanges ¹⁾ and vent valves ¹⁾: AISI316, Duplex or Hast. C276.



O-ring on sensing element: PTFE. Other sensing element materials: AISI316, SIS 2343, SIS 2324. Mounting bolts and nuts for sensor flanges: AISI316 (PN400: m.8.8.Zne)

Fill fluid

Silicone oil (DC200, 10 cSt) or inert oil.

Housing with PLUG connector, H and T

Housing: AISI316

Seals: Viton® and NBR

TEST jacks: MS358Sn/PVDF, protected with silicone rubber shield.

PLUG connector: PA6-GF30 jacket, Silicone rubber seal, AISI316 retaining screw.

Housing with junction box/terminal strip, M and N

Housing: AISI303/316; Seals: Nitrile and Viton®; Nameplates: Polyester

Connection cable between sensing element and housing

Codes **L** and **K** :

PTFE hose with AISI316 braiding.

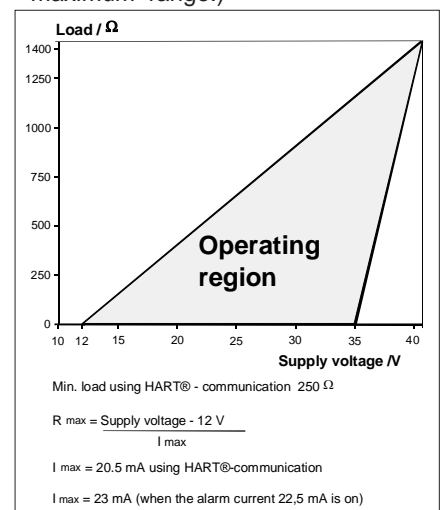
Enclosure class: IP66.

Process connections

See Selection Table.

Calibration

For customer-specified range with 1 s. damping. Min. factory calibration range: 10mbar (VDt2). (If range is not specified, transmitter is calibrated for maximum range.)



¹⁾ Parts in contact with process medium.

SATRON VDt Differential Pressure Transmitter

BPdT750
02.12.2015

Electrical connections

Housing with PLUG connector, **H** and **T**:
PLUG connector, connector type DIN 43650 model AF; Pg9 gland for cable; wire cross-section 0.5 to 1.5 mm².

Housing with junction box/terminal strip, **M** and **N** :
M20x1.5, 1/2-NPT inlet; screw terminals for 0.5 to 2.5 mm² wires

Product Certifications

European Directive Information

Electro Magnetic Compatibility (EMC directive 2004/108/EC)

All differential pressure transmitters

Atex Directive (94/9/EC)

Satron Instruments Inc. complies with the ATEX Directive.

European Pressure Equipment Directive (PED) (97/23/EC)


All Differential Pressure Transmitters :
- Sound Engineering Practice


Hazardous Locations Certifications

European Certifications

ATEX Intrinsic Safety

Certification No. : DNV-2007-OSL-ATEX- 1346X

 II 1 GD T135°C EEx ia II C T4 -20°C ≤ Tamb ≤ 50°C

 II 2 GD T135°C EEx ia II C T4 -20°C ≤ Tamb ≤ 50°C

Input Parameters :

$U_i = 28 \text{ V}$

$I_i = 93 \text{ mA}$

$P_i = 0.651 \text{ W}$

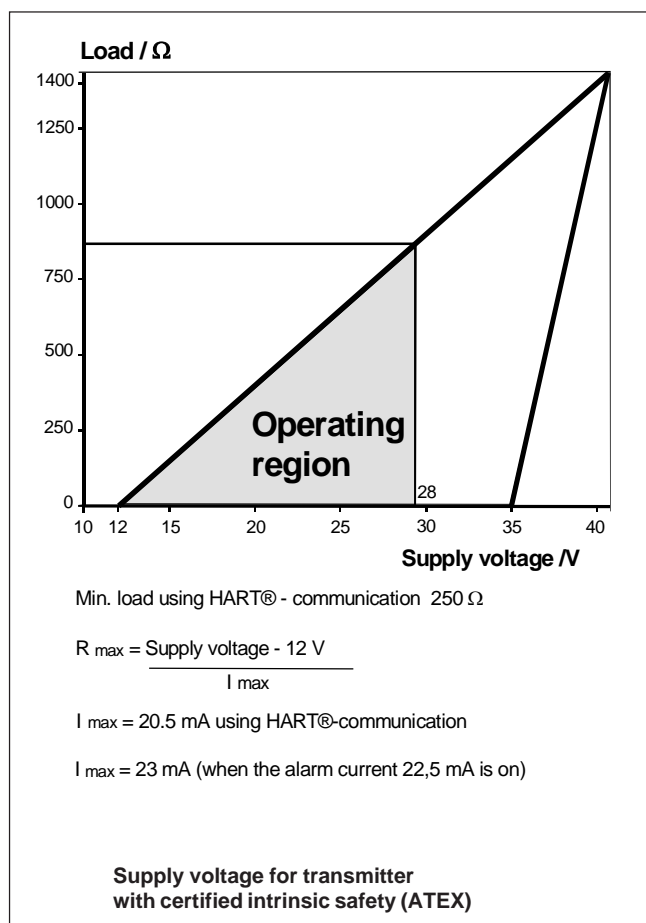
$C_i = 5 \text{ nF}$

$L_i = 0.2 \text{ mH}$

Special Conditions for Safe Use (X) :

The enclosure with plastic window and the plastic DIN43650 connector must not be installed in potentially explosive atmosphere requiring category 1 apparatus. The non-conducting surface of the sensor element may be charged by the flow of non-conducting media, so there may be electrostatic hazard with IIC-gases. These units should be marked 2 GD.

The equipment shall be installed and connected according to the manufacturers instructions.

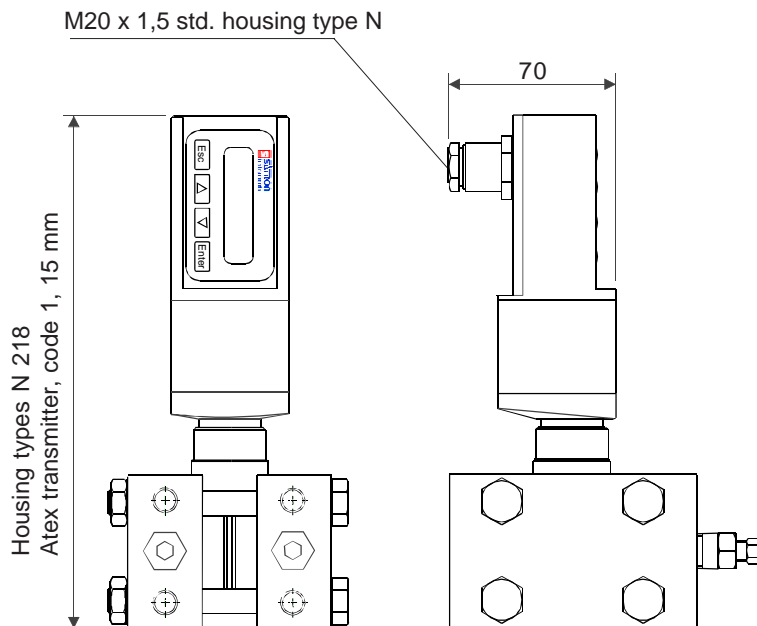
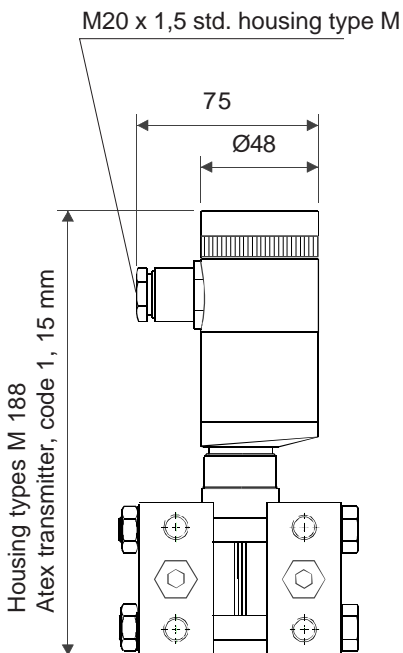
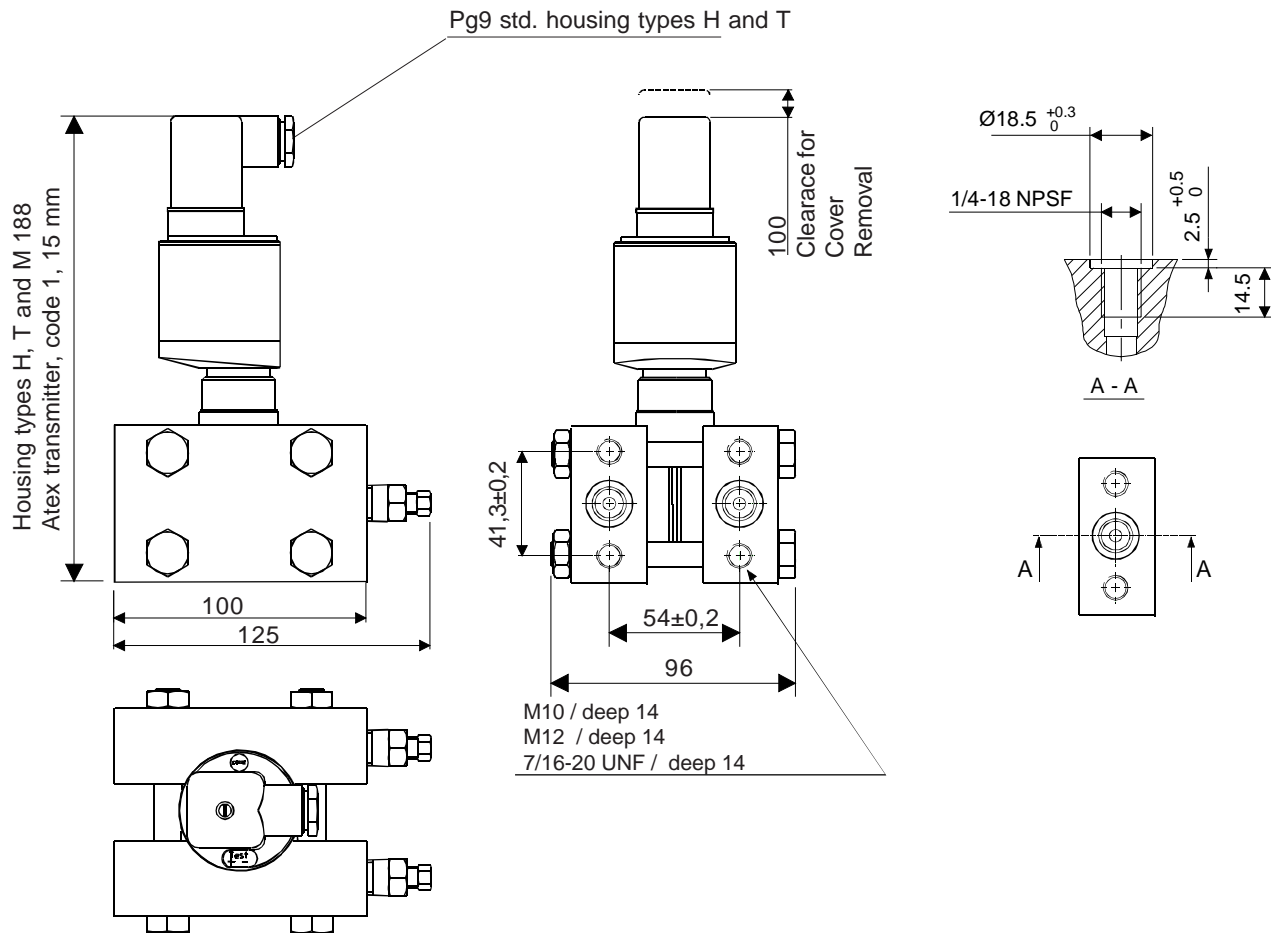


Weight (kg)

Type	Housing type		
	H	M	N
VDt2 ... 7	4,0	4,6	4,6

SATRON VDt Differential Pressure Transmitter

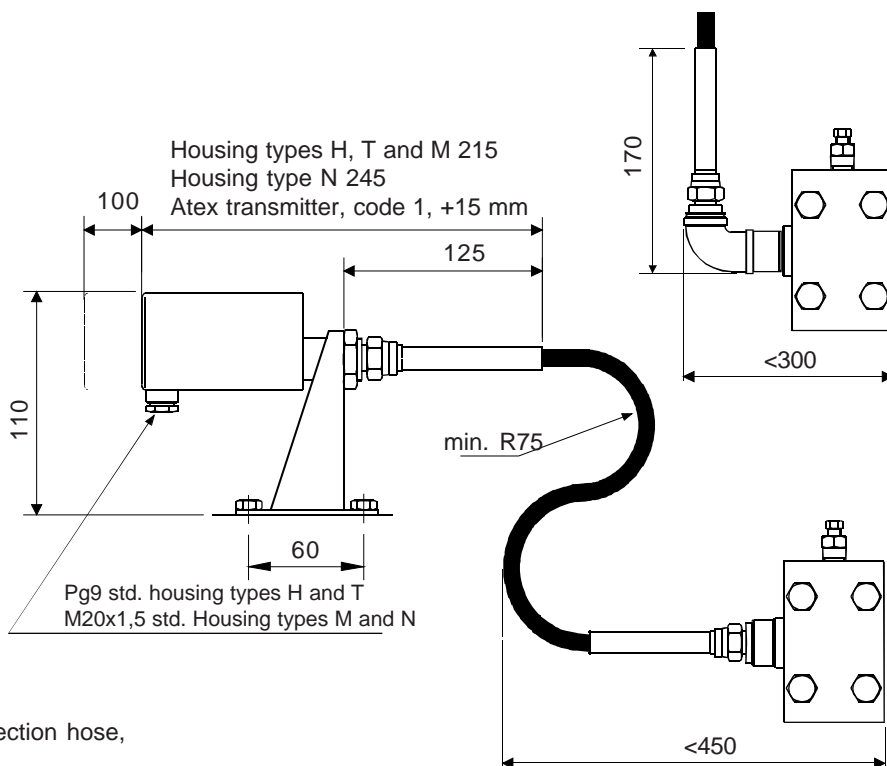
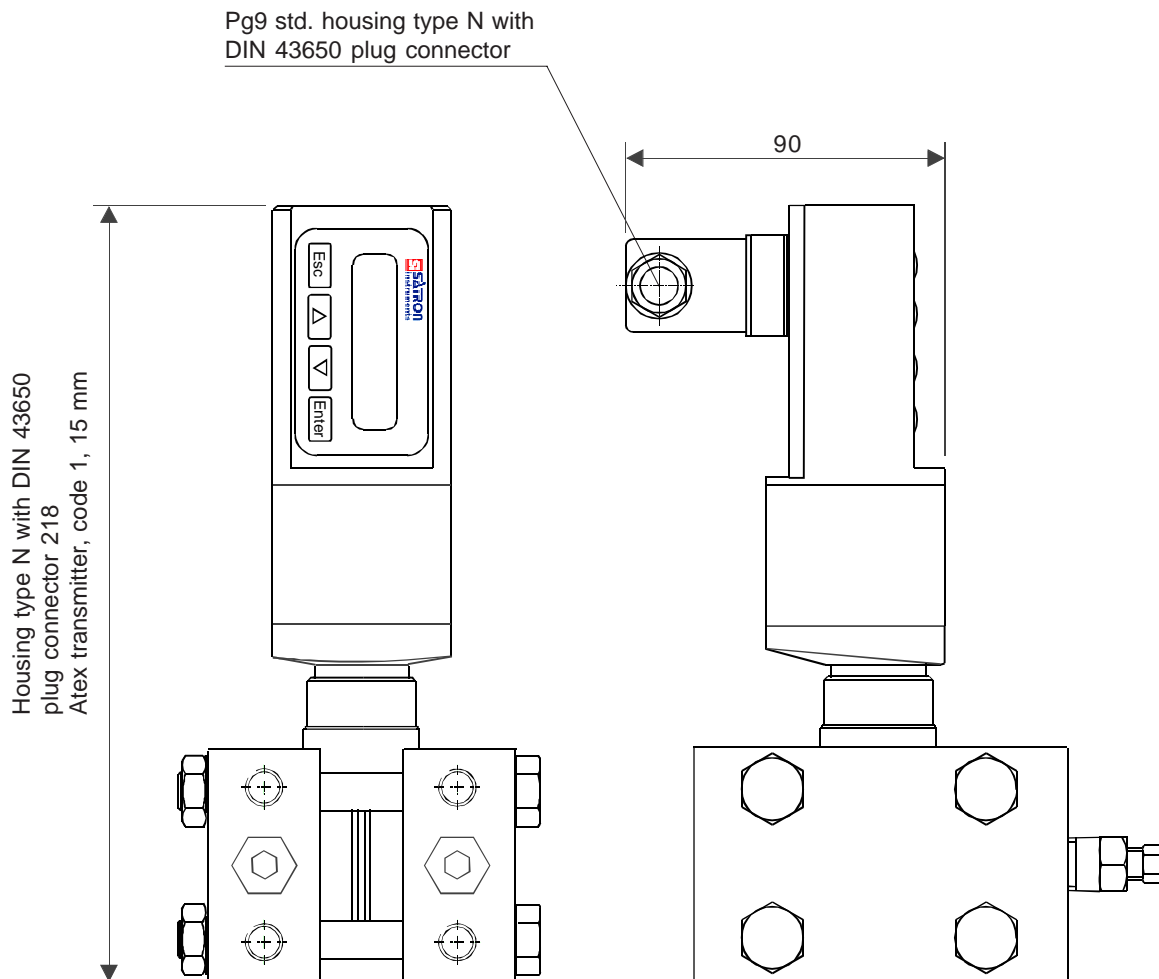
Dimensions (in mm)



SATRON VDt Differential Pressure Transmitter

BPdT750
02.12.2015

Dimensions (in mm)



Remote electronics,
connecting cable with protection hose,
codes L and K

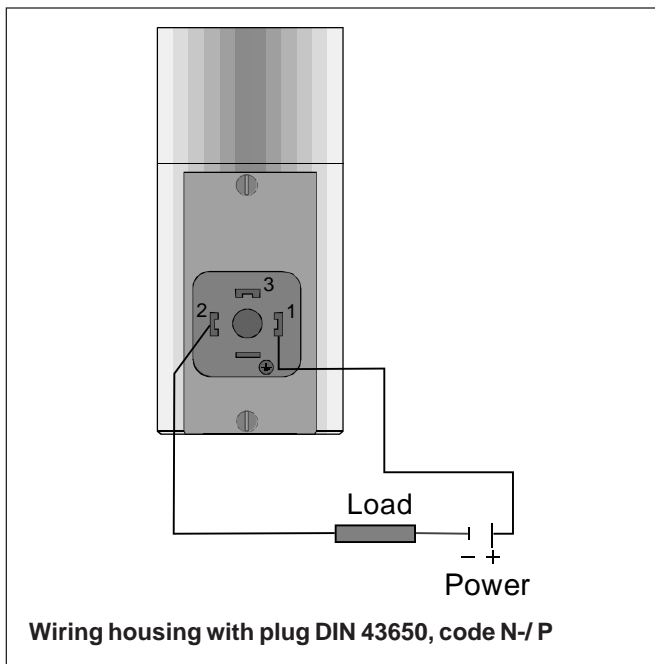
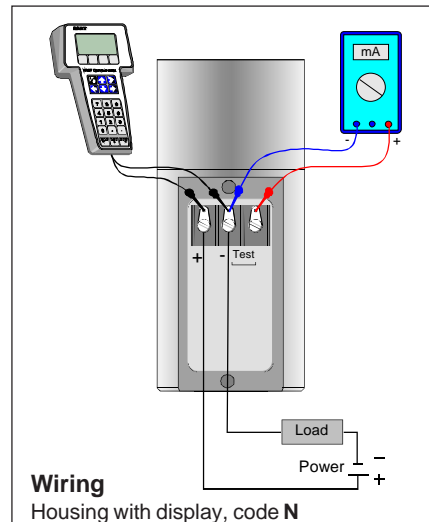
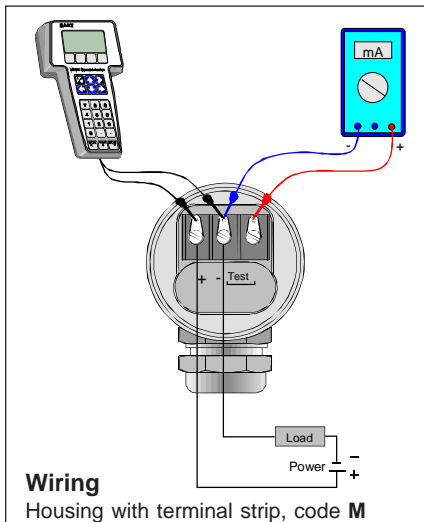
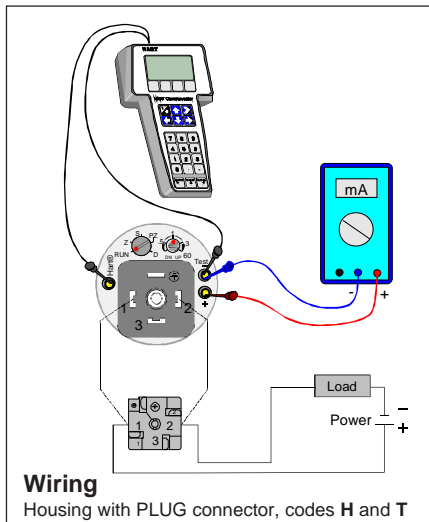
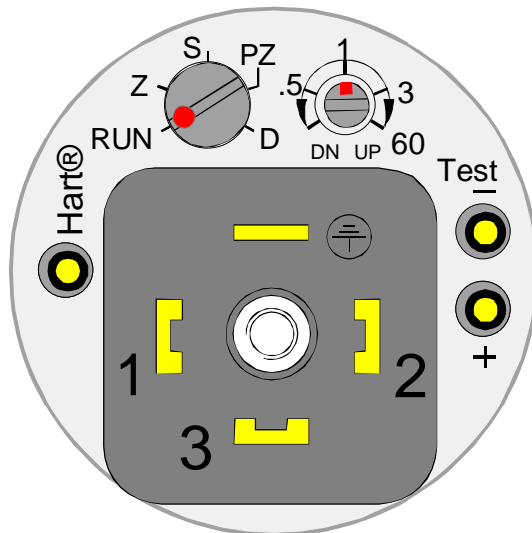
SATRON VDt Differential Pressure Transmitter

BPdT750
02.12.2015

Housing with PLUG connector, code T

Use of selector switch :

- RUN = working position
- PZ = Process value zero
- D = Damping adjustment
- S = Span adjustment
- Z = Zero adjustment
- DN = Down
- UP = Up



Housing with display, code N

Keyboard :

- Esc = Press **Esc** move back towards the top of the main menu.
- ▲ = Use the **UP** arrow key to move up on the current menu level or to increase the selected parameter value.
- ▼ = Use the **DOWN** arrow key to move down on the current menu level or to decrease the selected parameter value.
- Enter = Press **ENTER** to move to a lower level in a menu or to accept a command or parameter value.

SATRON VD_t Differential Pressure Transmitter

BPd_T750

02.12.2015

Selection Chart

VD _t Differential Pressure Transmitter		VAt Absolute Pressure Transmitter (ranges 4 to 7, range 0...xx, abs.)																									
Adjustability (±)																											
	Span, min.	Span, max.	Measuring range																								
2	0,1 kPa (1 mbar)	6 kPa (60 mbar)	-6...+6 kPa (-60...+60 mbar)																								
3	1,4 kPa (14 mbar)	35 kPa (350 mbar)	-35 kPa...+35 kPa (-350...+350 mbar)																								
4	4 kPa (40 mbar)	100 kPa (1000 mbar)	-100...+100 kPa (-1000...+1000 mbar)																								
5	26,5 kPa (265 mbar)	500 kPa (5000 mbar)	-500...+500 kPa (-5000...+5000 mbar)																								
6	0,145 MPa (1,45 bar)	3 MPa (30 bar)	-3...+3 MPa (-30...+30 bar)																								
7	1 MPa (10 bar)	15 MPa (150 bar)	-15...+15 MPa (-150...+150 bar)																								
Output																											
S 4-20mA DC/HART® -protocol																											
Process connection																											
D	M10,PN40 range 2/PN100 ranges 3...6, IEC 61518	F	Screwed flange adapters, PN40 range 2 and PN420 ranges 3 to 7, IEC 61518																								
A	M10, PN420 ranges 3, 4, 5 and 7, IEC 61518	V	Connection through hydraulic seal																								
H	M12, PN420 ranges 3, 4, 5 and 7, IEC 61518	Z	Welded flange adapters, PN420 ranges 3 to 5 and 7, IEC61518																								
U	7/16-20 UNF, (PN420 ranges 3, 4, 5 and 7)																										
Wetted material		Flanges	Diaphragm																								
	Code	Material	Code																								
	2	AISI316L (EN 1.4404)	2																								
	3	Hast.C 276 (EN 2.4819)	3																								
			5																								
			8																								
			A																								
			Material																								
			2																								
			3																								
			5																								
			8																								
			A																								
			Material																								
			9																								
			(specify only when coated)																								
			gold / rhodium																								
Fill fluid																											
S Silicone oil		G Inert oil																									
Housing type																											
H Housing with PLUG-connector, DIN43650, no display, inlet PG9																											
T Housing with PLUG-connector, DIN43650, no display, inlet PG9, with manual adjust																											
M Housing with junction box/terminal strip, no display, inlet M20x1,5																											
N Housing with junction box/terminal strip, with display, inlet M20x1,5																											
Explosion proof 0 No explosion proof classification 1 Atex Intrinsic Safety, II 1 GD T135°C (*)																											
<table border="1"> <thead> <tr> <th>Process thread on flange adapter (only specify for type F)</th> <th>Thread type</th> <th colspan="2">Thread size</th> </tr> <tr> <td></td> <td>Code</td> <td>Type</td> <td>Code Size</td> </tr> </thead> <tbody> <tr> <td></td> <td>R</td> <td>straight R thread</td> <td>2 1/4</td> </tr> <tr> <td></td> <td>N</td> <td>NPS thread</td> <td>3 3/8</td> </tr> <tr> <td></td> <td>P</td> <td>taper R thread</td> <td>4 1/2</td> </tr> <tr> <td></td> <td>T</td> <td>NPT thread</td> <td></td> </tr> </tbody> </table>				Process thread on flange adapter (only specify for type F)	Thread type	Thread size			Code	Type	Code Size		R	straight R thread	2 1/4		N	NPS thread	3 3/8		P	taper R thread	4 1/2		T	NPT thread	
Process thread on flange adapter (only specify for type F)	Thread type	Thread size																									
	Code	Type	Code Size																								
	R	straight R thread	2 1/4																								
	N	NPS thread	3 3/8																								
	P	taper R thread	4 1/2																								
	T	NPT thread																									
Special size of electrical inlet																											
N	1/2NPT	G	Pg13.5																								
		P	Plug DIN43650																								
Special features																											
Special electronics (specify only if housing connected with hose to sensing element)																											
- connecting cable with protection hose																											
L Hose protected with PTFE/AISI316 braiding, straight																											
K Hose protected with PTFE/AISI316 braiding, angle of 90°																											
Length of cable between sensing element and housing																											
(specify only if housing connected with cable to sensing element)																											
2	2 m cable	3	3 m cable etc. (max. 20 m)																								
Mounting parts for remote electronics for Ø51 mm tube																											
0	No mounting parts	1	Mounting parts																								
Documentation																											
Calibration Certificate		AE English																									
Installation and Operating Instructions		IE English IF Finnish																									
Material Certificates																											
0 No material certificate																											
MC1 Raw materials certificate without appendixes, in accordance with SFS-EN 10204-2.1 (DIN 50049-2.1) standard																											
MC2 Raw materials certificate for wetted parts with appendixes, in accordance with SFS-EN 10204-2.2 (DIN 50049-2.2) standard																											
MC3 Raw materials certificate for wetted parts with appendixes, in accordance with SFS-EN 10204-3.1B (DIN 50049-3.1B) standard																											

We reserve the right for technical modifications without prior notice.

HART® is a registered trademark of HART Communication Foundation.

Viton® is the registered trademark of DuPont Down Elastomers.

Hastelloy® is the registered trademark of Haynes International.

Teflon® is the registered trademark of E. I. du Pont de Nemours & Co

(*) = Housing H and N : II 2 GD T135°C

ATEX transmitters with display are the model without membrane key.

(**) = Not for ranges 2-3





Satron Instruments Inc.
P.O.Box 22, FI-33901 Tampere, Finland
Tel. +358 207 464 800, Fax +358 207 464 801
www.satron.com

We reserve the right for technical modifications without prior notice.

HART® is a registered trademark of HART Communication Foundation.
Viton® is the registered trademark of DuPont Down Elastomers.



SATRON VDU differential pressure transmitter belongs to V-series transmitters. SATRON VDU differential pressure transmitter is used from 0-4 kPa to 0-3 MPa ranges (static pressure + measuring range). It is a 2-wire transmitter with HART® standard communication. In pressure measuring applications SATRON VDU diff.pressure transmitters are used for measuring the pressure of clean, sedimenting, crystallizing and sticking materials. The transmitter's sensor is piezoresistive. The rangeability is 25:1.

TECHNICAL SPECIFICATIONS

Measuring range and span

See Selection Chart.

Zero and Span adjustment

Zero elevation: Calibrated span is freely selectable on the specified range. This can be made by using keyboard or HART®275 communicator.

Damping

- Time constant is continuously adjustable 0,01 to 60 s.

Temperature limits

Ambient: -30 to +80 °C

Process: -30 to +125 °C

0 to +200 °C (temp. code **H**)

Shipping and storage: -40 to +80 °C.

Operating temperature of display: 0 to +50°C (does not affect operation of the transmitter)

Pressure limits Min. and max. process pressure: See the appended tables.

Volumetric displacement

< 0.5 mm³/max. span (in both sensors)

Output 2-wire (2W), 4-20 mA, user selectable for linear, square root, inverted signal or the transfer function (16 points)specified by the user

Supply voltage and permissible load

See the load capacity diagram;

4-20 mA output: 12 - 35 VDC.

Humidity limits

0-100 % RH; freezing of condensed water not allowed in reference pressure channels.

PERFORMANCE SPECIFICATIONS

Tested in accordance with IEC 60770:

Reference conditions, specified span, no range elevation, horizontal mounting; AISI316L diaphragm, silicone oil fill.

Accuracy

±0.2 % of calibrated span

(span 1:1-7.5:1 /max.range).

On the measuring ranges 7.5:1-25:1:

$\pm[0.02+0.024 \times (\frac{\text{max.span}}{\text{calibrated span}})]\%$ of calibrated span

Special accuracy types **BA** and **DA** : (Temperature effect on +20 to +70 °C)

±0,15 % of calibrated span, only process connections **BA** and **DA** / temperature effect code **S**, for spans 1:1-7,5:1).

¹⁾ Parts in contact with process medium

On the measuring ranges 7,5:1-25:1:

$\pm[0.01+0.007 \times (\frac{\text{max.span}}{\text{calibrated span}})]\%$ of calibrated span

(incl. nonlinearity, hysteresis and repeatability)

Long-term stability

±0.2 % / max. span / year

Temperature effect

- on -20 to +80 °C range

Zero and span error:

±0.3 % of max. span.

- on 0 °C to +200 °C range

(process temperature code **H**)

±2 % of max. span, VDU6

±4 % of max. span, VDU4, VDU5

Temperature effect

- on +20 °C to +70 °C,

process connections **BA** and **DA**

Zero and span error:

±0.15 % of max.span, code **S**

Mounting position effect

Zero error < 0.32 kPa, which can be calibrated out.

Vibration effect (IEC 68-2-6: FC):

±0.1 % of measuring range/

2g/10 to 2000 Hz

4g/10 to 100 Hz

Power supply effect

< ±0.01 of calibrated span per volt

Insulation test voltage

500 V rms 50 Hz

CONSTRUCTION AND CALIBRATION Materials

Diaphragm ¹⁾: AISI316L (EN 1.4435), Duplex (EN 1.4462), Hast. C276 (EN 2.4819), CoNi-alloy, Titanium Gr2 (EN 3.7035), Nickel or Tantalum.

Coupling ¹⁾: AISI316L (EN 1.4404), Duplex (EN 1.4462), Hast.C276 (EN 2.4819) or Titanium (EN 3.7035)

Other sensing element materials:

AISI316, AISI303.

Pressure limits

Transmitter type	Max. overload pressure, MPa	Max. operating range (=static pressure +meas. range), kPa	Pressure class
VDU4	0.3	100	PN40
VDU4/5	0.3	250	PN40
VDU5	1.5	500	PN40
VDU5/6	1.5	1000	PN40
VDU6	7.5	3000	PN100



Filling fluid: Silicone oil, food industry oil or inert oil

Enclosure class IP66

Electronics housing:

AISI303/316, Seals: nitrile rubber and Viton®, Nameplates: Polyester

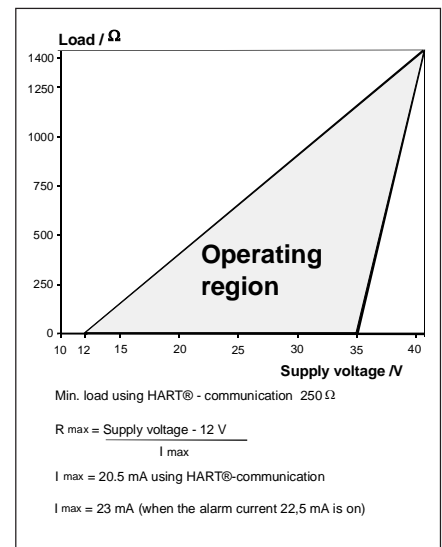
Calibration

For customer-specified range with 1 s. damping. (If range is not specified, transmitter is calibrated for maximum range.)

Process connections

See Selection Chart

Process couplings: See Selection Chart and installation instructions or technical specification: Couplings for Transmitters **G150**.



Min. process pressure

T _{proc.} °C	Minimum pressure for different fill fluids (kPa, abs)	
	DC200 100 cSt	Inert oil
20	5	8
40	8	10
80	16	28
120	21	53

Electrical connections

M20x1.5, 1/2-NPT ; screw terminals for 0.5 to 2.5 mm² wires and with PLUG connector, connector type DIN 43650 model AF; Pg9 gland for cable; wire gross-section 0.5 to 1.5 mm².

Product Certifications**European Directive Information****Electro Magnetic Compatibility (EMC directive 2004/108/EC)**

All differential pressure transmitters

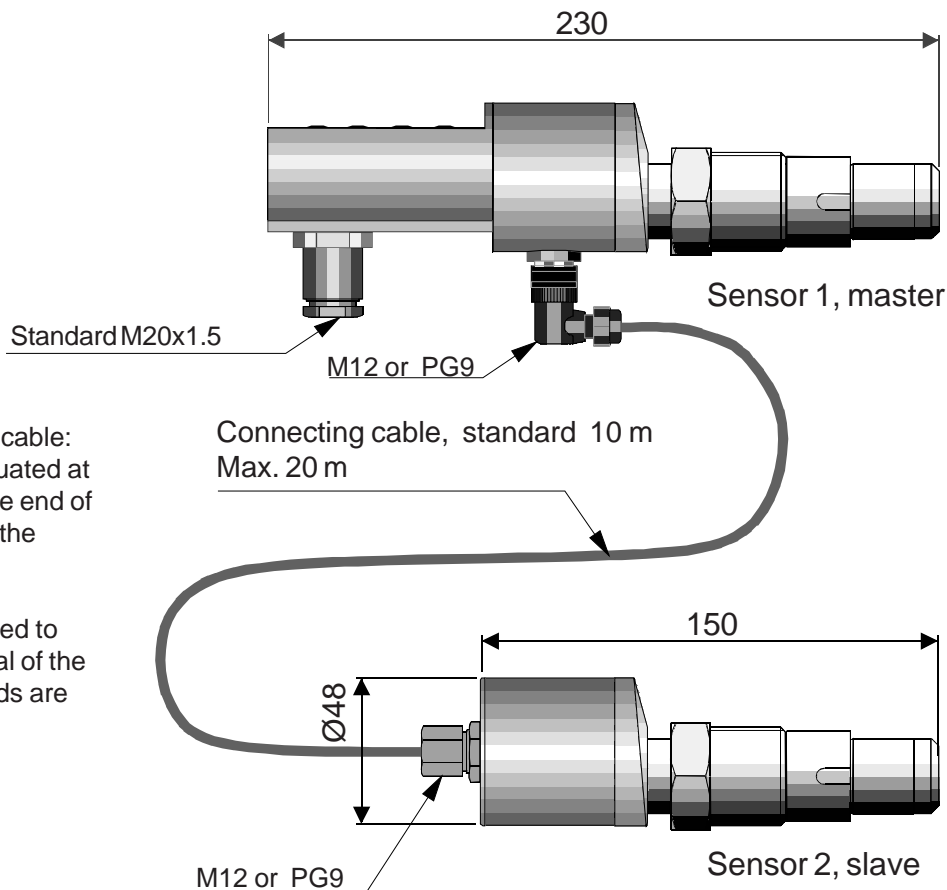
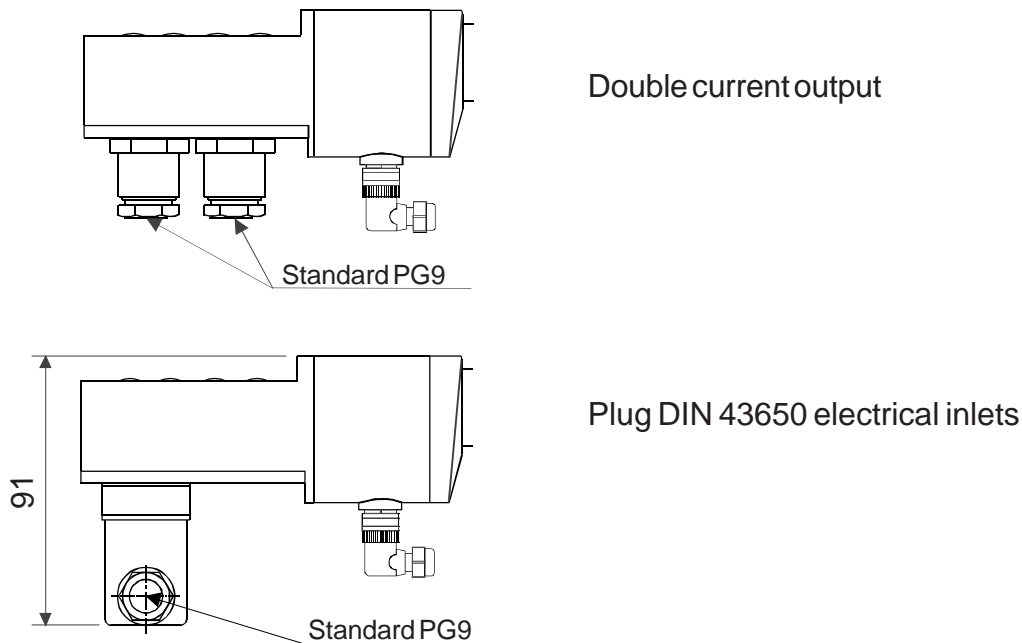
European Pressure Equipment Directive (PED) (97/23/EC)

All Differential Pressure Transmitters:

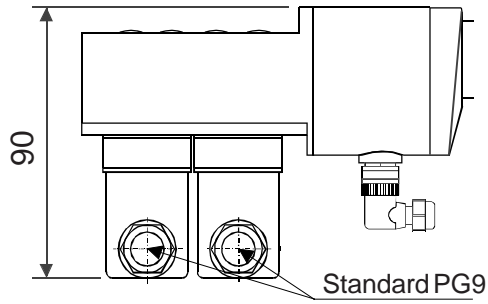
- Sound Engineering Practice

Weight

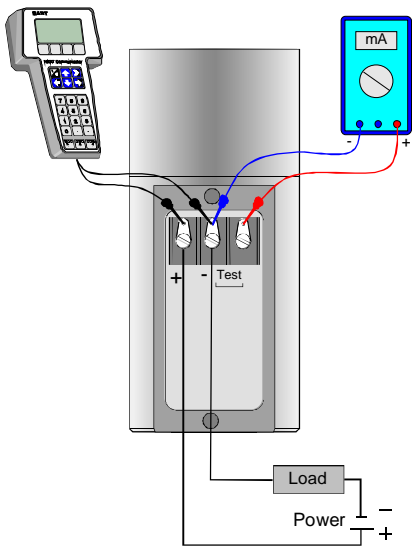
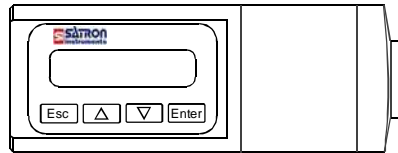
Mounting type	Weight / kg				
	Extension code				
	0	2	4	6	
Flange	DN50	8.8	10	10.5	11
	DN80	13.5	15.8	16	16.8
SA (Sandvik)	-	8.2	10.6	12.8	
Tx (Tri-Clamp)	2.4	-	-	-	
PA (PMC 1")	1.8	-	-	-	
BA, VA, WA	1.8	-	-	-	
UA, VB, WB	2.6	-	-	-	
G1...G4	2.5	-	-	-	

Dimensions (mm)**Dimensions (mm)**

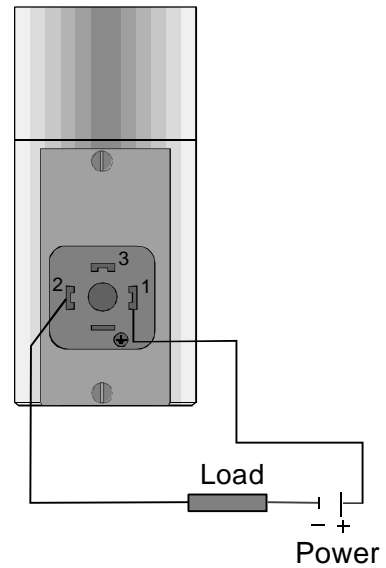
Dimensions (mm)



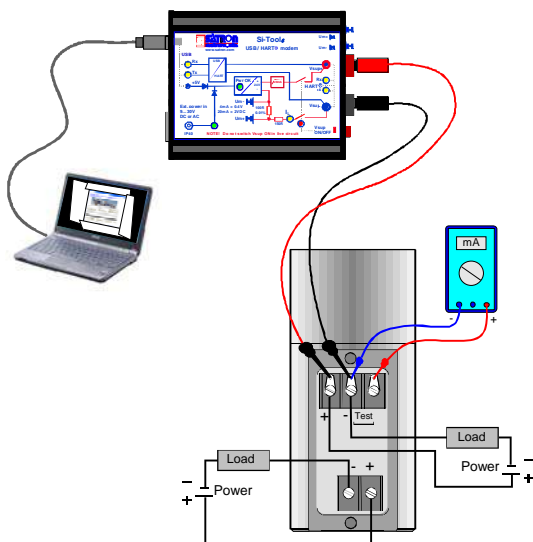
Double current output with
plug DIN43650 connector



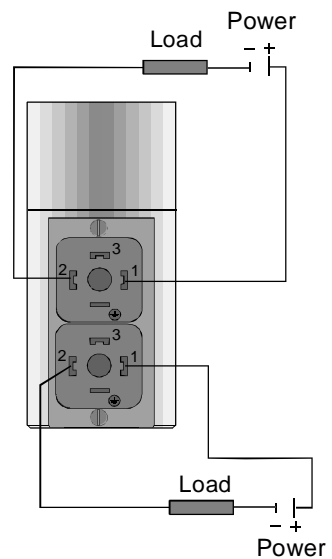
Wiring one current output



Wiring one current output, plug DIN43650 connector

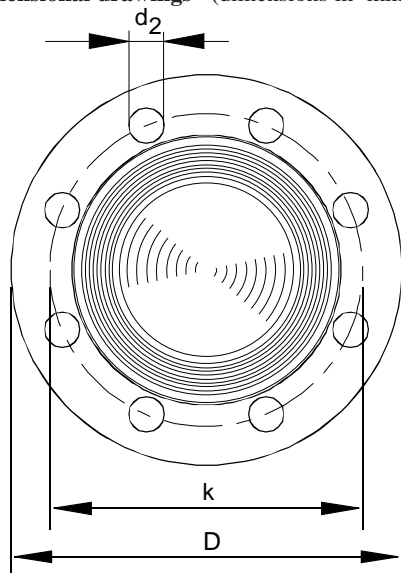
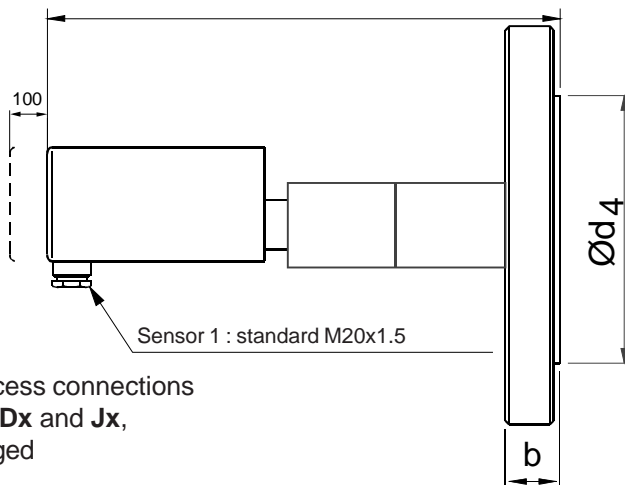
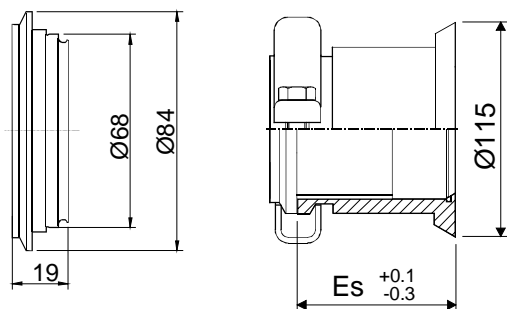
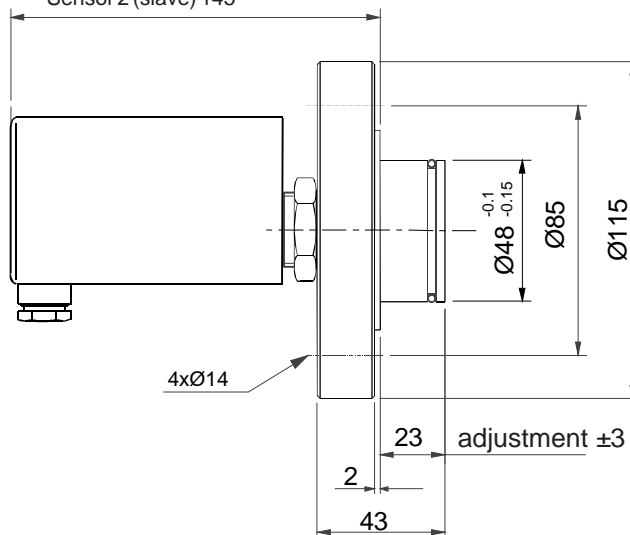
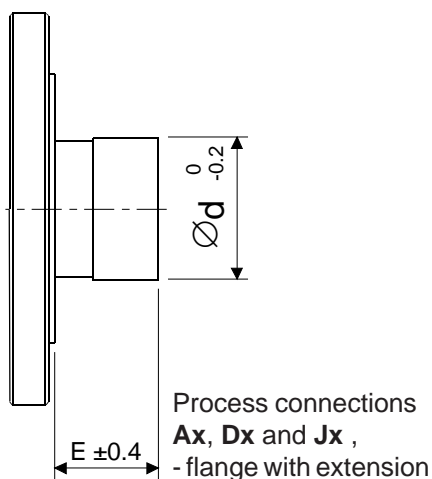


Wiring double current output



Wiring double current output, plug DIN 43650 connector

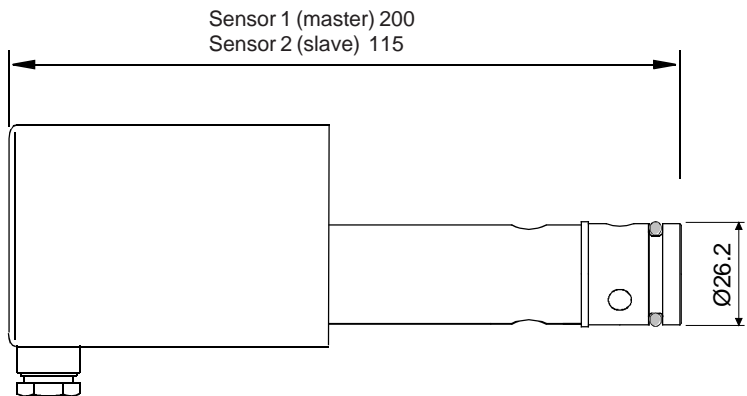
Dimensional drawings (dimensions in mm)

Sensor 1 (master) 275
Sensor 2 (slave) 190Process connections
Ax, Dx and Jx,
flangedProcess connection **UA**,
- Tuchenhagen DN50/40
(Varivent®)Process connection **SA**,
- Sandvik-clampSensor 1 (master) 225
Sensor 2 (slave) 145Process connection **DA**, DN25 PN40 flange with
extension, process temperature max. +125°CProcess connections
Ax, Dx and Jx,
- flange with extension

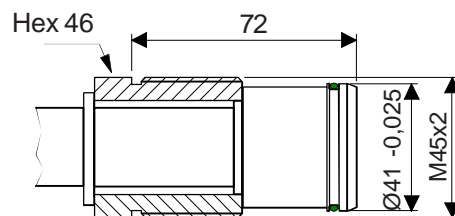
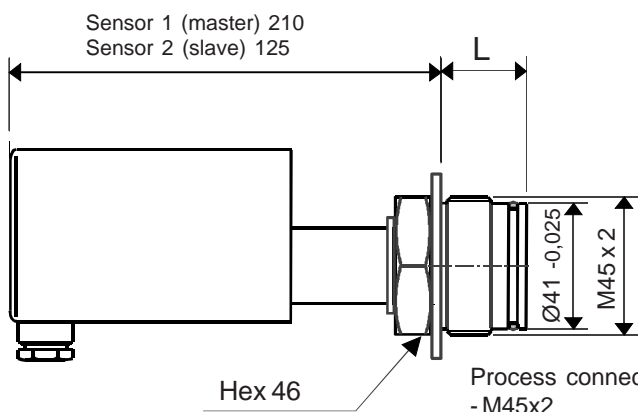
Code	E +0.4 -0.4	Es +0.3 -0.2
0	0	-
1	23	-
2	51	54,5
4	102	105
6	152	156

FLANGE SIZE	Flange dimens.			Holes			Extens. Ød -0.2
	b	D	Ød ₄	pcs	d ₂	k	
ISO DN25 PN40	18	115	68	4	14	85	48
ISO DN50 PN40	20	165	102	4	18	125	51
ISO DN80 PN40	24	200	138	8	18	160	73
ISO DN100 PN40	24	235	162	8	22	190	73
ANSI 1" 150 lbs	15	108	51	4	16	79.4	-
ANSI 1" 300 lbs	18	124	51	4	20	88.9	-
ANSI 2" 150 lbs	23	152	92	4	20	120.6	51
ANSI 2" 300 lbs	25	165	92	8	20	127	51
ANSI 3" 150 lbs	26	191	127	4	20	152.4	73
ANSI 3" 300 lbs	31	210	127	8	23	168.3	73
ANSI 4" 150 lbs	26	229	157	8	20	190.5	73
ANSI 4" 300 lbs	34	254	157	8	23	200	73
JIS 10K-50	16	155	96	4	19	120	51
JIS 40K-50	26	165	105	8	19	130	51
JIS 10K-80	18	185	126	8	19	150	73
JIS 40K-80	32	210	140	8	23	170	73
JIS 10K-100	18	210	151	8	19	175	73
JIS 40K-100	36	250	165	8	25	205	73

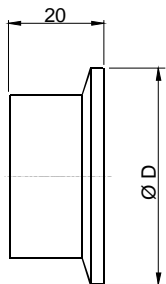
Dimensional drawings (dimensions in mm)



Process connection **PA**
- PMC 1"



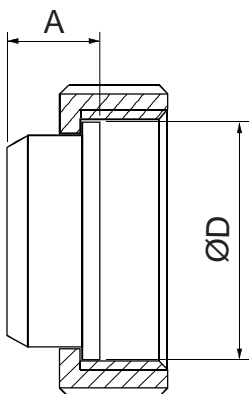
Process connection **BB**
- M45x2



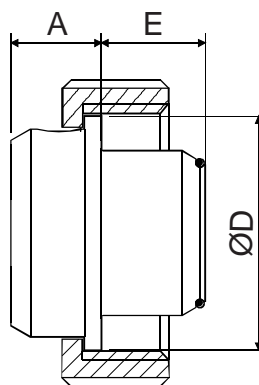
Process connections **TA , TB and TC**
- Tri-clamp DN38 ... 63,5

DN	ØD
38	50.5
51	64
63.5	77.5

BA - extension code	L
0	28,5
2	51
3	72
4	102



Process connection **VA and VB**
- SMS38 and SMS51

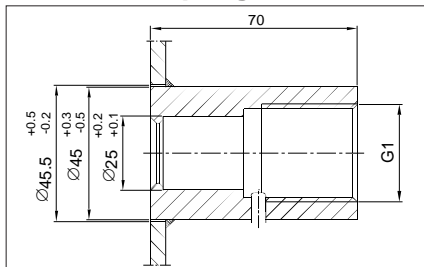


Process connection **WA and WB**
- SMS-SI38 and SMS-SI51

Size	Dimensions		Thread
	ØD	A	
38	54	21	Rd 60 x 1/6
51	64	23	Rd 70 x 1/6

Size	Dimensions			Thread
	ØD	A	E	
SI38	54	21	24	Rd 60 x 1/6
SI51	64	23	27	Rd 70 x 1/6

Process couplings, G1 thread



Standard coupling

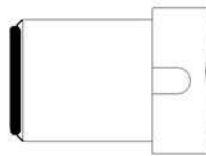
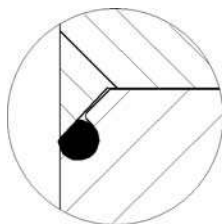
Material: AISI316L, Titanium or Hastelloy C

Special couplings, e.g.:

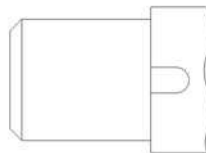
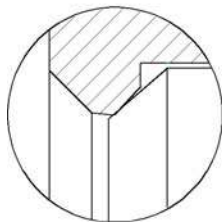
- G1 hygienic coupling, M548101
- G1/2A/G1 coupling, M546190
- G1/2A/G1 coupling with venting, M860280
- G1/2A/G1 couplings with bracket:
 - G1/2A male, M546195
 - G1/2 female, M550393

Transmitter's process sealing G1 thread

Three different options are available for the transmitter's process sealing:



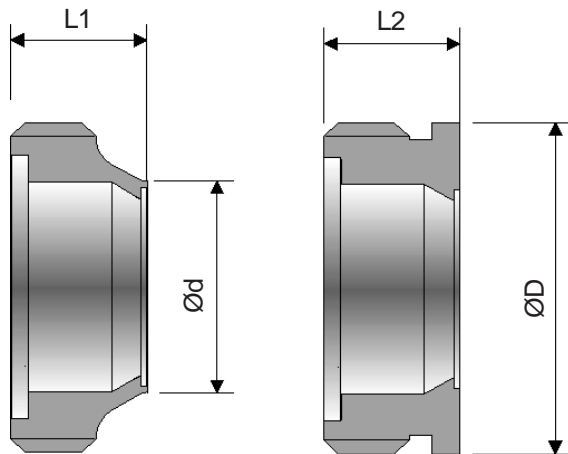
AISI316L, AISI317L or Duplex diaphragm, o-ring **FPM** (Viton) (code **G5**)
EHEDG - certified



AISI316L, AISI317L or Duplex diaphragm, o-ring **EPDM** (code **G6**)
EHEDG - certified

AISI316L, CoNi-, Duplex, Hastelloy C276 or Tantalum diaphragm, metal/metal taper sealing (diaphragm on sealing face) (code **G4**)

SMS-SI couplings :

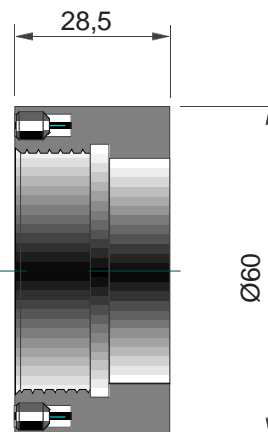


for pipe

for vessel

Size	Dimensions				Thread
	L1	Ød	L2	ØD	
38	27	38,5	24	60	Rd 60 x 1/6
51	30	51	25	70	Rd 70 x 1/6

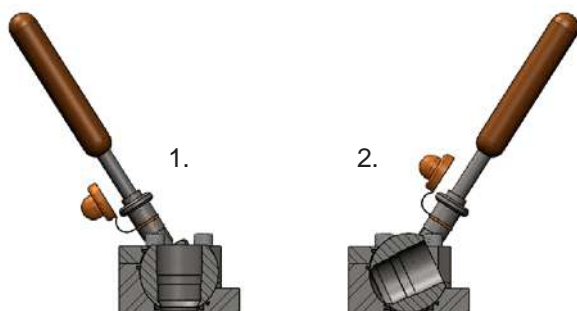
Coupling M45x2 with adjust, for process connection BA, order code M1050459



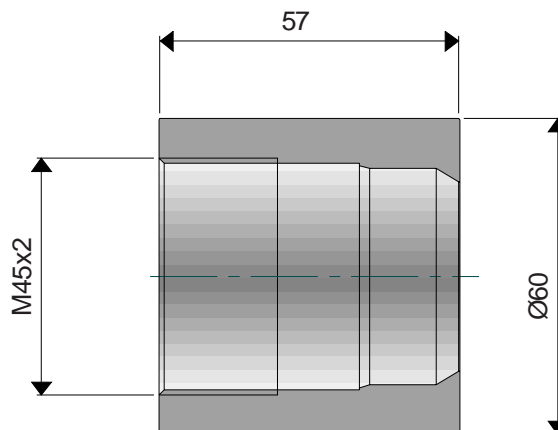
Passive BA working position:

For process connections **BA3** and **BB**

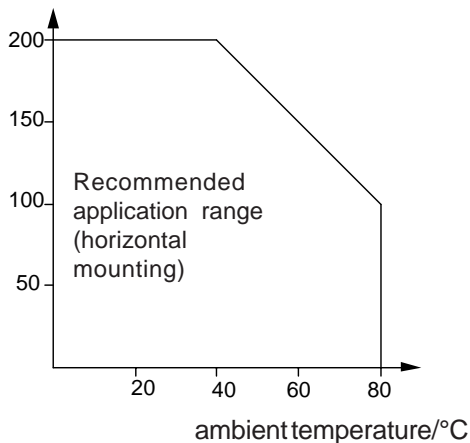
1. Transmitter in measuring
2. Transmitter can be checked, changed, calibrated or the transmitter diaphragm can be flushed



Coupling BB M45x2, for process connection BB, order code M1050474 (Welding assistant, code M1050473)



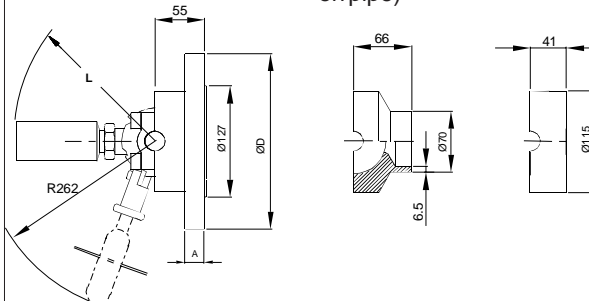
Process temperature/°C



Process temperature limits, code H

PASVE® mounting & service valve

All PASVE types are also available with pneumatic actuator, flushing and limit switches.

PASVE GF(NF)
(Flange type)**GP (NP)**
(Welded
on pipe)

Keyboard :

- Esc = Press **Esc** move back towards the top of the main menu.
- ▲ = Use the **UP** arrow key to move up on the current menu level or to increase the selected parameter value.
- ▼ = Use the **DOWN** arrow key to move down on the current menu level or to decrease the selected parameter value.
- Enter = Press **ENTER** to move to a lower level in a menu or to accept a command or parameter value.

Satron Instruments Inc., P.O.Box 22, FIN-33901 Tampere, Finland
Tel. +358 207 464 800, Telefax +358 207 464 801, www.satron.com

We reserve the right for technical modifications without prior notice.

HART is a registered trademark of HART Communication Foundation.
 Pasve is a trademark of Satron Instruments Inc.
 Hastelloy is the registered trademark of Haynes International.
 Teflon is the registered trademark of E.I. du Pont de Nemours & Co.
 Viton is the registered trademark of DuPont Down Elastomer.
 Varivent is a registered trademark of GEA Tuchenhausen.



Selection Chart

Adjustability	Span, min	Span, max.	Measuring range
VDU4	4kPa (40 mbar)	100 kPa (1000 mbar)	-100...+100 kPa (-1000...1000 mbar)
VDU4/5	4kPa (40 mbar)	250 kPa (2500 mbar)	-100...+250 kPa (-1000...2500 mbar)
VDU5	26.5 kPa (265 mbar)	500 kPa (5000 mbar)	-100...+500 kPa (-1000...5000 mbar)
VDU5/6	26.5 kPa (265 mbar)	1 MPa (10 bar)	-0.1...+1 MPa (-1... 10 bar)
VDU6	0.145 MPa (1.45 bar)	3 MPa (30 bar)	-0.1...+3 MPa (-1...30 bar)

Output	S 4-20mA DC/HART®	D 4-20mA DC/HART® and with galvanic isolation 4-20mA	
Process connections			
DA	DN25 PN40 ISO 2084-1974	AB ANSI 1" 300 lbs ANSI B16-5	UA Tuchenhagen DN50/40 (Varivent®) PN40
DB	DN50 PN40 ISO 2084-1974	AC ANSI 2" 150 lbs ANSI B16-5	PA PMC 1" PN40
DC	DN80 PN40 ISO 2084-1974	AD ANSI 2" 300 lbs ANSI B16-5	SA Sandvik DN70 PN64
DD	DN100 PN40 ISO 2084-1974	AE ANSI 3" 150 lbs ANSI B16-5	BA M45x2 PN160
JA	JIS 10K 50 JIS B 2220	AF ANSI 3" 300 lbs ANSI B16-5	BB M45x2 PN160
JB	JIS 40K 50 JIS B 2220	AG ANSI 4" 150 lbs ANSI B16-5	G4 G1 thread, metal/metal taper sealing
JC	JIS 10K 80 JIS B 2220	AH ANSI 4" 300 lbs ANSI B16-5	G5 G1 thread, FPM O-ring sealing (¹)
JD	JIS 40K 80 JIS B 2220	TA Tri-clamp DN38 PN40 ISO 2852	G6 G1 thread, EPDM O-ring sealing (¹)
JE	JIS 10K 100 JIS B 2220	TB Tri-clamp DN51 PN40 ISO 2852	VA SMS 38
JF	JIS 40K 100 JIS B 2220	TC Tri-clamp DN63.5 PN40 ISO 2852	VB SMS 51
AA	ANSI 1" 150 lbs ANSI B16-5		WA SMS-SI 38 with extension 24 mm
			WB SMS-SI 51 with extension 27 mm

Extension length (mm)	(Flanged conn.)	(Sandvik conn.)	
0	0	-	(not proc.conn. SA)
1	23	-	(only proc.conn. DA1, DN25 PN40, max. +125 °C)
2	51	54.5	(not proc.conn. BB, VA, VB, WA, WB, Tx, UA, PA, DA, G1, G2, G4)
3	72	-	(only proc.conn. BA)
4	102	105	(not proc.conn. BB, VA, VB, WA, WB, Tx, UA, PA, DA, G1, G2, G4)
6	152	156	(not proc.conn. BB, VA, VB, WA, WB, Tx, UA, PA, DA, G1, G2, G4)

Wetted materials				Extension or other wetted parts		Diaphragm coating	
Diaphragm							
Code	Material	Code	Material	Code	Material	Code	Material
1	Nickel (x) (*)	5	Tantalum (*)	2	AISI316L	9	gold/Rhodium
2	AISI316L	6	Titanium (xx)	3	Hast.C 276	Y	diamond (specify only when coated)
3	Hast.C 276 (*)	8	Duplex (*)	8	Duplex		

Filling oil	S Silicone oil	G Inert oil	A Food industry oil (Neobee M20)
Housing type, master			
N Housing with junction box/terminal strip, display, inlet M20x1,5			
Explosion proof 0 No explosion proof classification			
Process temperature			
N -30 ... +125 °C		H 0 ... +200 °C (*)	
S +20 ... +70 °C (only process connections BA and DA)			
Cable between sensors			
1 PUR cable with M12 connector both end of cable		2 PVC cable with AISI316/ PG9 inlet, fixed factory mounted	

Process couplings	Material
0 Will be ordered separately	2 AISI316L
A With coupling	3 Hast.C276
	6 Titanium
	8 Duplex

Special sizes of electrical inlets (Standard M20x1.5)		
N 1/2 NPT	G Pg13.5	P PLUG connector, DIN43650

Documentation
Calibration certificate AE English
Installation and Operating Instructions IE English IF Finnish
Material certificates
0 No material certificate
MC1 Raw material certificate without appendixes, in accordance with SFS-EN 10204-2.1 (DIN 50049-2.1) standard
MC2 Raw material certificate for wetted parts, in accordance with SFS-EN 10204-2.2 (DIN 50049-2.2) standard
MC3 Raw material certificate for wetted parts, in accordance with SFS-EN 10204-3.1 B (DIN 50049-3.1 B) standard

(x) = only with flange
 (xx) = only with flange and G4
 (¹) = EHEDG - certified

Flow measurement

Our instruments for flow measurement:

- Condensate pot..... Spec. G450
- VDt differential pressure transmitter..... Spec. BPdT750

FOR MEASUREMENT IN AN OPEN CHANNEL:

- VG pressure transmitter Spec. BPLV700
- VV pressure transmitter..... Spec. BLV810

FOR MEASUREMENT IN A PIPE:

- VDt differential pressure transmitter Spec. BPdT750

Measurement in a pipe by means of restricting element (Fig. 1)

The flow to be measured in a pipe is passed through a restricting device and the pressure differential between two points, one upstream of the restriction and the other immediately downstream from it, is measured by means of a transmitter. (Pressure upstream of the restriction = the high-pressure or positive side, and the pressure downstream = the low-pressure or negative side). The differential pressure Δp thus obtained is proportional to the square of flow Q, i.e.,

$$Q = k \sqrt{\Delta p} \quad (k = \text{constant})$$

For this reason a linearization relay is normally required in a control loop between transmitter and controller. It is also possible to use a transmitter that incorporates square root extraction.

Open channel measurement (Fig. 2)

Open channel measurement is used primarily for liquids that contain impurities (e.g. waste water). Measurement is based on restricting the flow in such a manner that the level rises upstream of the restriction. Level variations are measured with either a bubbling tube or a flanged transmitter (see Liquid level measurement). The signal thus obtained is linearized as follows:

Weir with rectangular opening, and Venturi flume:

$$Q = kh^{3/2} \quad (k = \text{constant})$$

Weir with V opening:

$$Q = kh^{5/2}$$

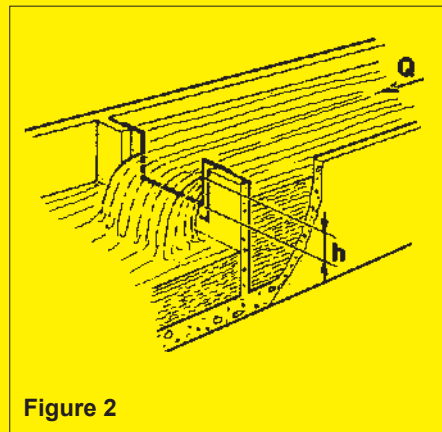


Figure 2

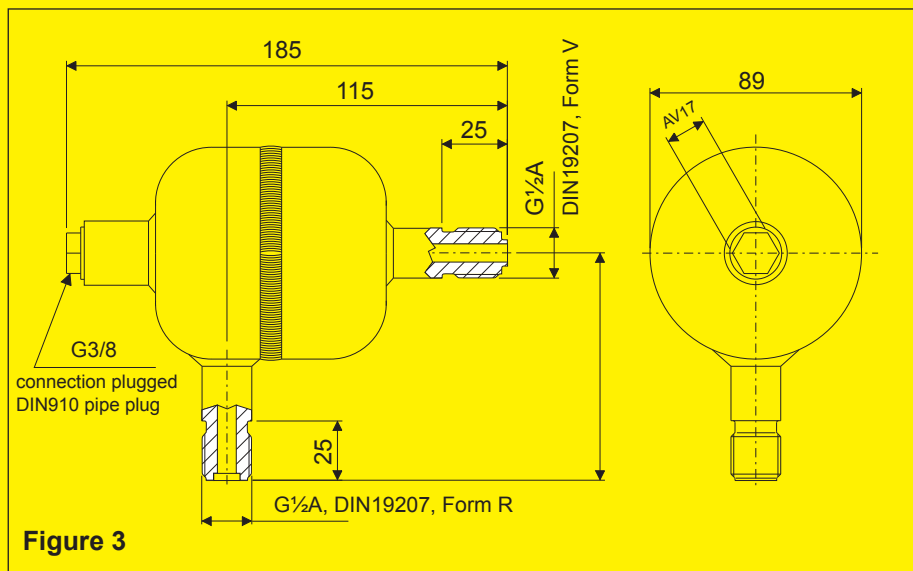


Figure 3

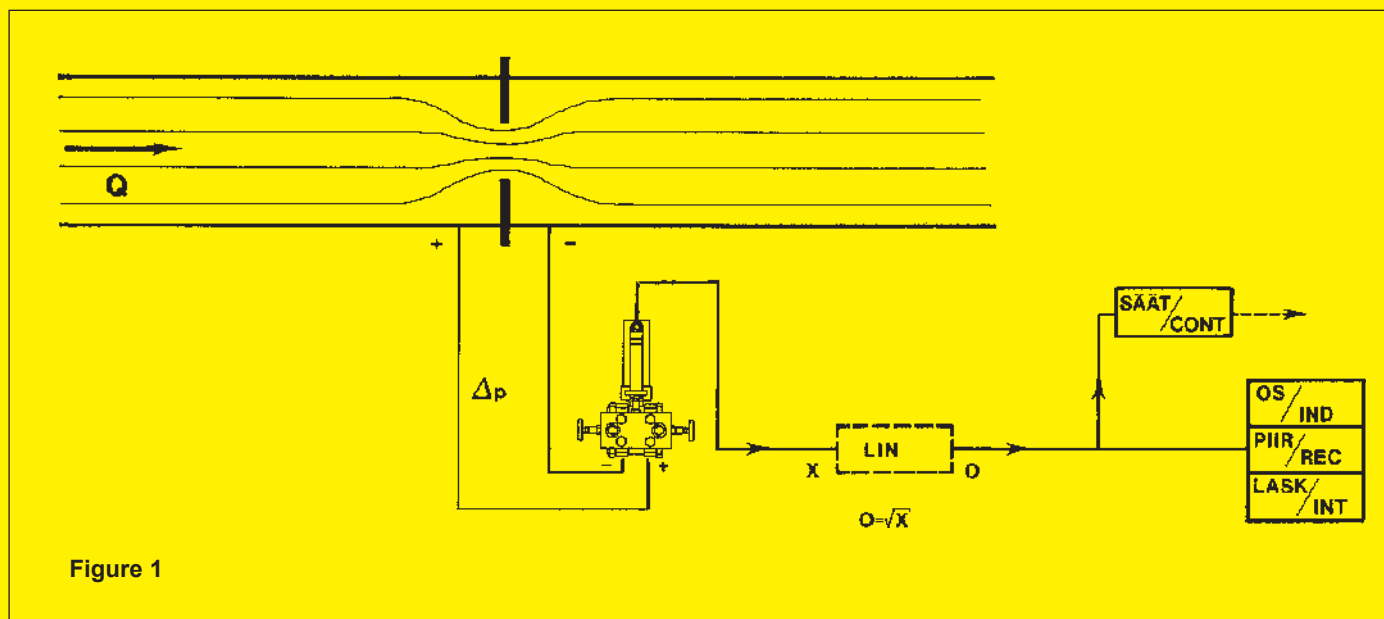


Figure 1

Flow measurement

Figure 4 Gas flow application

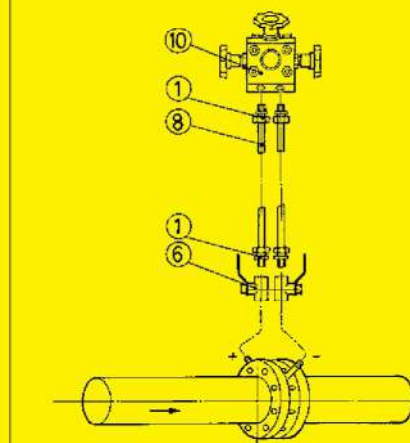


Figure 7

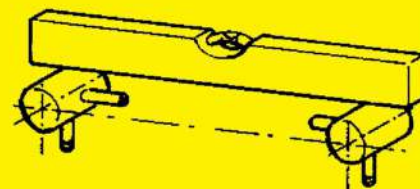
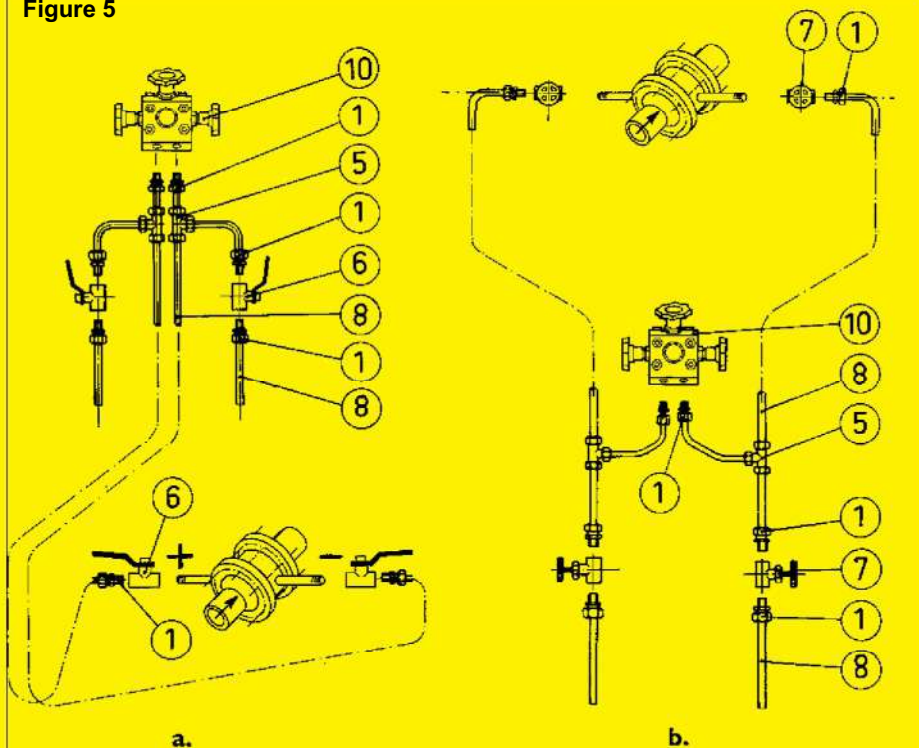
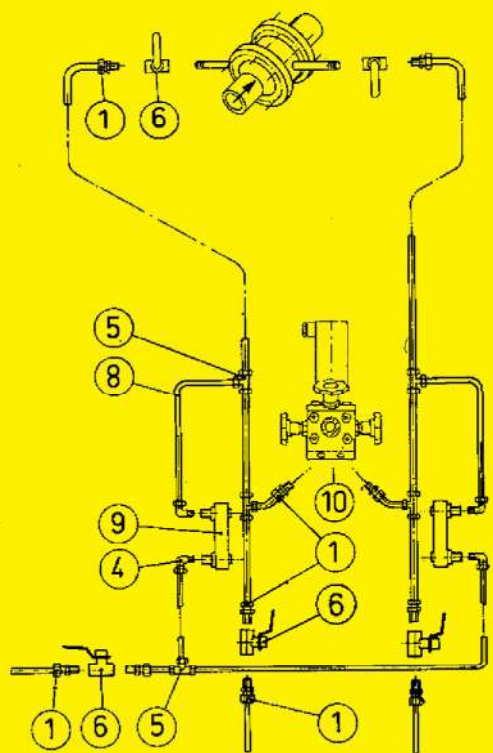


Figure 5



- 1 Stud coupling, 12 mm dia./ G½ male
- 5 Tee, 12 mm dia.
- 6 Ball valve, G½
- 7 Needle valve, G½
- 8 Pipe, 12 x 1 calibre
- 10 3-spindle mounting valve

Figure 6



- 1 Stud coupling, 12 mm dia./ G½ male
- 4 Stud elbow, 12 mm dia./ G¼ male
- 5 Tee, 12 mm dia.
- 6 Ball valve, G½
- 8 Pipe, 12 x 1 calibre
- 9 Needle valve rotameter
- 10 3-spindle mounting valve

Condensate pot

G450
01.01.2014

Application

In steam flow measurement special condensate pots are installed in the immediate vicinity of restricting organ. The connection pipes from the restricting device to the condensate pots are full of steam, and from the condensate pot to the meter full of condensate. The condensate pots must be mounted in such a manner that the liquid levels are the same in them.

The function of the condensate pots is to condensate steam into a liquid (e.g. to protect the transmitter from heat, to prevent dribbling), to keep the liquid levels unaltered with overflow and to collect air. The condensate water transmits the pressure to the transmitter, so that the transmitter itself is not in contact with steam.

Construction

Condensing Pots are designed according to DIN 19211. Connections with thread according to DIN 19207 Form R and V.

They fulfil the requirements of the PED 97/23/EC.

Technical specification

Volume: 0.3 liters

Operating pressure, max.: 100 bar (10 MPa)

Operating temperature, max.: +450°C

Materials

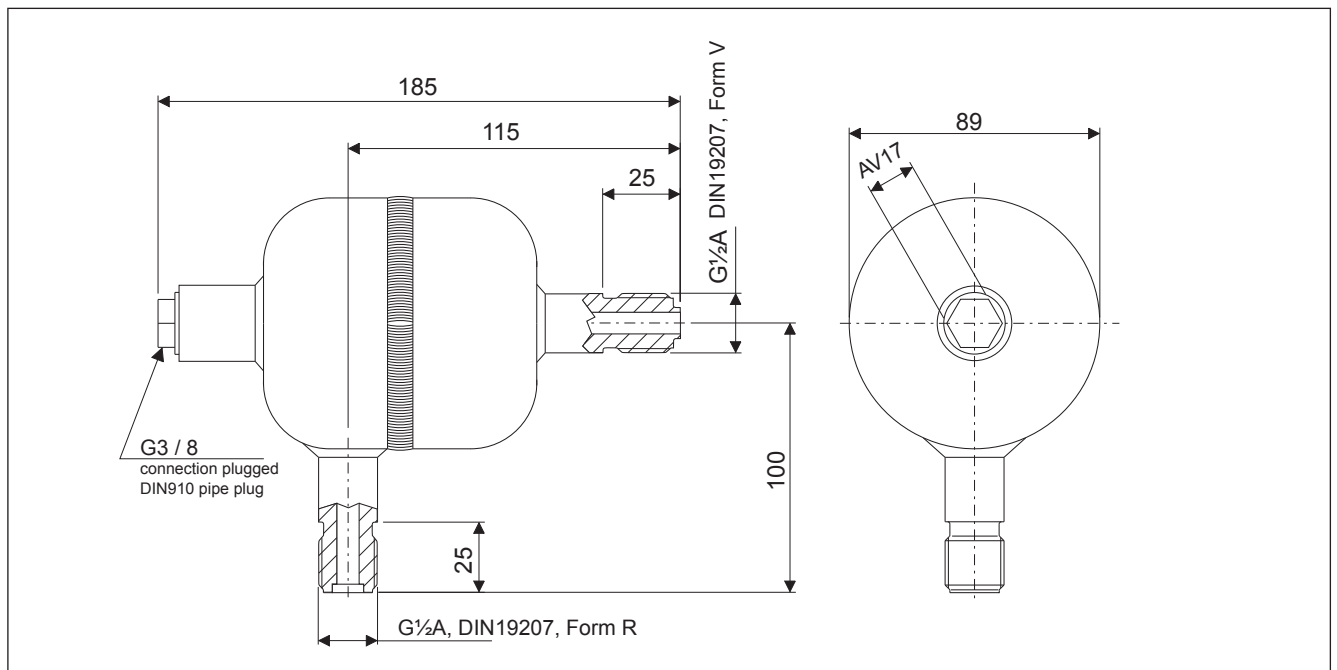
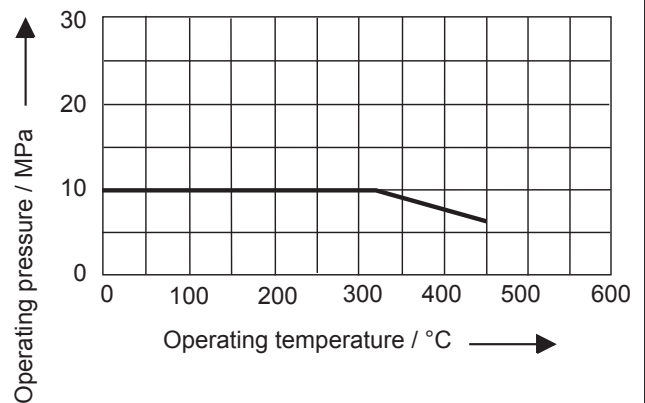
- housing: HII DIN 17155 (Wnr. 1.0425)
- pipes: St 35.8/II (Wnr. 1.0305)

Surface handling: fresh paint

Weight: 1.8 kg



Pressure / Temperature curve



We reserve the right to make technical changes without prior notice.



Satron Instruments Inc.
P.O.Box 22, FI-33901 Tampere, Finland
Tel. +358 207 464 800, Fax +358 207 464 801
www.satron.com

We reserve the right for technical modifications without prior notice.

HART® is a registered trademark of HART Communication Foundation.
Viton® is the registered trademark of DuPont Down Elastomers.



Our instruments for liquid level measurement:		ALSO SUITABLE FOR LIQUID LEVEL MEASUREMENT
VG pressure transmitter	Spec.	VDt differential pressure transmitter
BPLV700		Spec.BPdT750
VV pressure transmitter.....	Spec. BLV810	
VVF _ε pressure transmitter.....	Spec. BLV811	
VL pressure transmitter	Spec. BLV820	
VDtL differential pressure transmitter .	Spec.BLVT830	

Liquid level measurement using a transmitter

In an open vessel the liquid level is proportional to the hydrostatic pressure in the vessel, and level can be measured by means of pressure measurement. The most commonly used methods are measurement through the side of the vessel by means of a flanged pressure or differential pressure transmitter, as in fig. 2 (the negative leg connection of differential pressure transmitter is left open), and bubbling tube measurement, as in fig. 3. In the latter method compressed air is fed through a monitoring rotameter into a bubbling tube and the back pressure produced in the tube – proportional to liquid level – is measured. The choice between these two methods, bubbling tube or flanged transmitter, is determined between by the ease of making the process connection and by the likelihood of sedimentation. The bubbling tube is well suited for applications such as level measurement in a stock chest made of cement where, especially at some later date, it would be difficult to install a side connection for a flanged transmitter. In general a flanged transmitter is suitable for almost any type of vessel. With fluids liable to form sediments the measuring diaphragm can be kept clean by washing it through a special flushing flange (fig. 1). The flange is installed between the transmitter and the process flange. A continuous or periodic water flow is issued through the flushing bore. If level variations are small and if the fluid is not liable to form sediments, a float type transmitter can be used.

In a pressurized vessel the liquid level can be measured with a flangeless or flanged differential pressure transmitter (fig. 4). When measuring fluids liable to form sediments, a flanged transmitter is equipped with a flushing flange when necessary.

As in open vessel, a float type transmitter can

be used for level measurement if there is no risk of sedimentation and if level variations are small.

Calculating the calibration values (fig. 2)

To simplify the calculations, the effect of the density of the gas above the liquid level has been ignored.

s, h, and k = distances as in fig. 2.

d_1 = relative density of the liquid with respect to water at 4°C.

d_2 = relative density with respect to water of the fill fluid in the negative leg.

When s, h, and k are expressed in metres, the unit for range elevation, span, and suppression is mH₂O; for millimetres the unit is mmH₂O, etc.

Open vessel

Span = $d_1 h$
Elevation = $d_1 s$
Range = $d_1 s$ to $(d_1 s + d_1 h)$

Example:

If $d_1 = 1.2$, $h = 1000$ mm, and $s = 500$ mm, then span = 1.2×1000 mmH₂O = 1200 mmH₂O, elevation = 1.2×500 mmH₂O = 600 mmH₂O, range = 600 to $(600 + 1200) = 1800$ mmH₂O ≈ 59 to 177 mbar.

Pressurized vessel

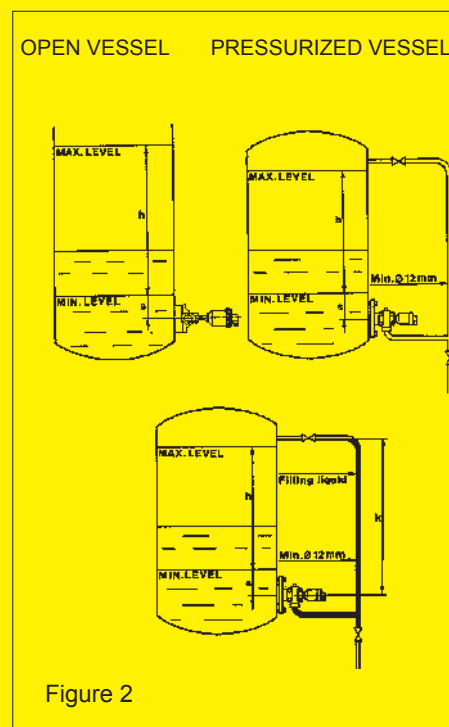
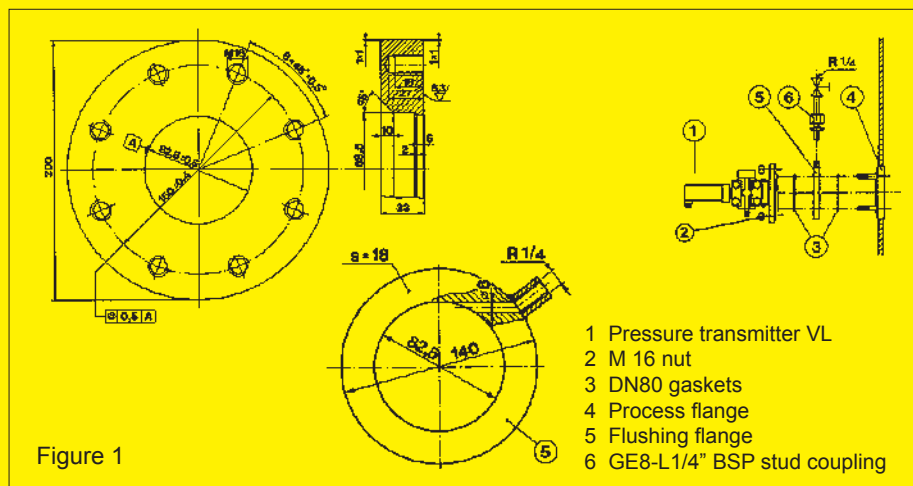
When no fill fluid is used in the negative leg, the calculation is the same as for open vessel. If the negative leg is filled with condensate or some other liquid, then

span = $d_1 h$
suppression = $d_1 s - d_2 k$
range = $(d_1 s - d_2 k)$ to $(d_1 s - d_2 k) + d_1 h$

Example:

If $d_1 = 0.9$, $d_2 = 1.0$, $h = 5$ m, $s = 1$ m, and $k = 6.5$ m, then
Span = 0.9×5 mH₂O = 4.5 mH₂O,
Suppression = $(0.9 \times 1 - 1.0 \times 6.5)$ mH₂O = -5.6 mH₂O
Range = -5.6 to $(-5.6 + 4.5)$ mH₂O = -5.6 to -1.1 mH₂O = -549 to -108 mbar.

The minus sign indicates that, when calibrating, the pressure is taken to the negative side of the transmitter.



Liquid level measurement

December 31, 2014

Installation examples

As regards process connection materials and connection piping, the requirements are the same as in pressure measurement. Figure 1 shows an ordinary flanged transmitter in an open vessel application, with corresponding process flange and flushing flange. Figure 3 shows an installation example for bubbling tube application. Figure 4 illustrates level measurement in a pressurized vessel with flanged transmitter. When measuring liquid level in an open vessel in the same manner, the suppression pipe is not needed. Bating of the piping system and vessel have to be taken account when selecting the gasket material. Gasket materials have to be selected in such a way that the eventual bate is not absorbed in the gasket (e.g. Viton®).

- 1 Stud coupling, Ø12 mm dia./ G½ male
- 2 Tee, 12 mm dia.
- 3 Double male connector, Ø12 mm dia.
- 4 Plug
- 5 Ball valve
- 6 Process connection, G½
- 7 Pipe, Ø12 x 1 calibred
- 8 Gasket DN80
- 9 Flange connection DN80
- 10 Nut

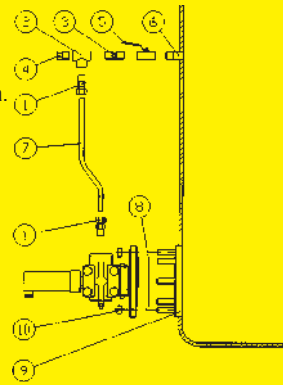


Figure 4

Liquid level measurement	Adjustability		Measuring range
	min.	Span max.	
VG3	1.4 kPa (14 mbar)	35 kPa (350 mbar)	-35...+35 kPa (-350...350 mbar)
VG4	4kPa (40 mbar)	100 kPa (1000 mbar)	-100...+100 kPa (-1000...1000 mbar)
VG5	10 kPa (100 mbar)	500 kPa (5000 mbar)	-100...+500 kPa (-1000...5000 mbar)
VGA5	10 kPa (100 mbar)	500 kPa (5000 mbar)	0...+500 kPa (0...5000 mbar), abs.
VG6	0.03 MPa (0,3 bar)	3 MPa (30 bar)	-0.1...+3 MPa (-1...30 bar)
VGA6	0.03 MPa (0,3 bar)	3 MPa (30 bar)	0...+3 MPa (0...30 bar), abs.
VG7	0.15 MPa (1,5 bar)	15 MPa (150 bar)	0...+15 MPa (0...150 bar), abs.
VG8	1 MPa (10 bar)	25 MPa (250 bar)	-0.1...+25 MPa (-1...250 bar)
VVx3	1,4kPa (14 mbar)3	5 kPa (350 mbar)	-35...+35 kPa (-350...350 mbar)
VVx4 x)	4kPa (40 mbar)	100 kPa (1000 mbar)	-100...+100 kPa (-1000...1000 mbar)
VVx5	10 kPa (100 mbar)	500 kPa (5000 mbar)	-100...+500 kPa (-1000...5000 mbar)
VVF_e 4	4kPa (40 mbar)	100 kPa (1000 mbar)	-100...+100 kPa (-1000...1000 mbar)
VVF_e 5	10kPa (100 mbar)	500 kPa (5000 mbar)	-100...+500 kPa (-1000...5000 mbar)
VL3	1.4kPa (14 mbar)	35 kPa (350 mbar)	-35...+35 kPa (-350...350 mbar)
VL4	4kPa (40 mbar)	100 kPa (1000 mbar)	-100...+100 kPa (-1000...1000 mbar)
VL5	10 kPa (100 mbar)	500 kPa (5000 mbar)	-100...+500 kPa (-1000...5000 mbar)
VLA5	10 kPa (100 mbar)	500 kPa (5000 mbar)	0...+500 kPa (0...5000 mbar), abs.
VL6	0,03 MPa (0,3 bar)	3 MPa (30 bar)	-0.1...+3 MPa (-1...30 bar)
VLA6	0,03 MPa (0,3 bar)	3 MPa (30 bar)	0...+3 MPa (0...30 bar), abs.
VL7	1 MPa (10 bar)	15 MPa (150 bar)	0...+15 MPa (0...150 bar), abs.
VDtL 3	1.4 kPa (14 mbar)	35 kPa (350 mbar)	-35...+35 kPa (-350...+350 mbar)
VDtL4	4 kPa (40 mbar)	100 kPa (1000 mbar)	-100...+100 kPa (-1000...+1000 mbar)
VDtL 5	26.5 kPa (265 mbar)	500 kPa (5000 mbar)	-500...+500 kPa (-5000...+5000 mbar)
VDtL 6	145 kPa (1.45 bar)	3 MPa (30 bar)	-3...+3 MPa (-30...+30 bar)

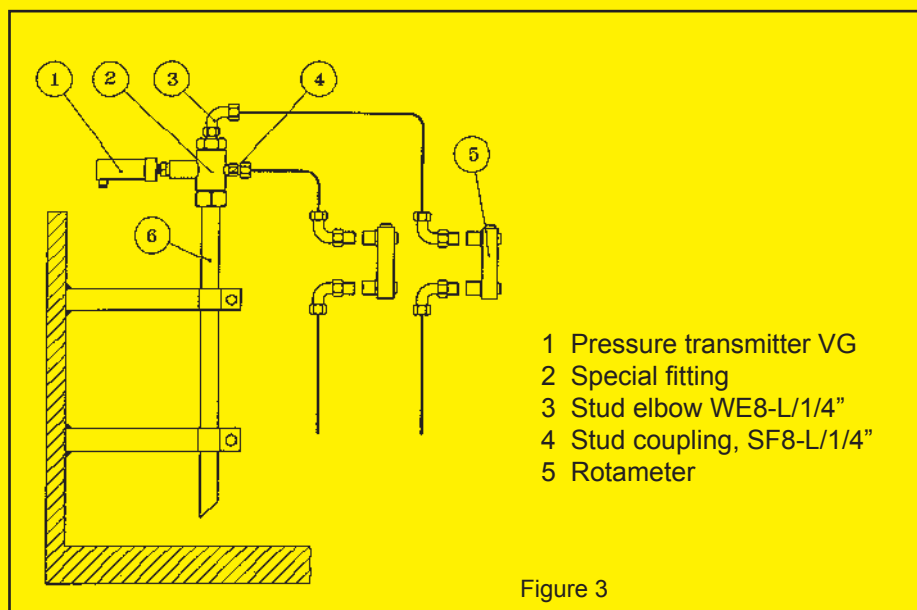


Figure 3

x) See the data sheet BLV810

Viton is the registered trademark of Du Pont Down Elastomers.

SATRON VG Flush Mount Pressure Transmitter

SATRON VG pressure transmitter belongs to the series V transmitters which will have both analog and smart properties. SATRON VG is used for 0-1.4 kPa...0-25 MPa ranges. It is a 2-wire transmitter with HART® standard communication.

In pressure measuring applications SATRON VG transmitters are used for measuring the pressure of clean, sedimenting, crystallizing and sticking materials. The transmitter's sensor is piezoresistive. The rangeability is 100:1 for types VG6 - VG7.



TECHNICAL SPECIFICATIONS

Measuring range and span

See Selection Chart.

Zero and Span adjustment

Zero elevation: Calibrated span is freely selectable on the specified range depending from the desired option. This can be made by using external control shafts, keyboard (display option) or HART®/275/375 communicator.

Damping

- Time constant is continuously adjustable 0.01 to 60 s.

Temperature limits

Ambient: -30 to +80 °C
Process: -30 to +125 °C
0 to +200 °C (temp. code H)
Shipping and storage: -40 to +80 °C.
Operating temperature of display:
0 to +50°C (does not affect operation of the transmitter)

Pressure limits Min. and max. process pressure: See the appended tables.

Volumetric displacement

< 0.5 mm³/max. span

Output 2-wire (2W), 4-20 mA, user selectable for linear, square root, inverted signal or the transfer function (16 points) specified by the user

Supply voltage and permissible load

See the load capacity diagram;
4-20 mA output: 12 - 35 VDC.

Humidity limits

0-100 % RH; freezing of condensed water is not allowed in reference pressure channels.

PERFORMANCE SPECIFICATIONS

Tested in accordance with IEC60770: Reference conditions, specified span, no range elevation, horizontal mounting; O-ring seals, AISI316L diaphragm, silicone oil fill.

Accuracy

±0.05 % of calibrated span (span 1:1-5:1 / max.range).

On the measuring ranges 5:1-100 :1:

$\pm [0.025 + 0.01 \times (\frac{\text{max. span}}{\text{calibrated span}})]$ % of calibrated span

(incl. nonlinearity, hysteresis and repeatability)

Long-term stability

±0.1 % / max. span / 1 year

Temperature effect

- on -20 to +80 °C range (process temperature code N)

Zero and span error: ±0.15 % of max. span.

- on 0 to +200 °C range (process temperature code H)

Zero and span error: ±1 % of max. span, VG6 - VG8
±2 % of max. span, VG4 - VG5

Mounting position effect

Zero error < 0.32 kPa, which can be calibrated out.

Vibration effect (IEC 68-2-6: FC):

±0.1 % of measuring range/
2g/10 to 2000 Hz
4g/10 to 100 Hz

Power supply effect

< ±0.01 of calibrated span per volt

Insulation test voltage

500 V rms 50 Hz

CONSTRUCTION AND CALIBRATION

Materials

Diaphragm ¹⁾: AISI316L (EN 1.4435), Duplex (EN 1.4462), Hast. 276 (EN 2.4819), CoNi-alloy, Titanium Gr2 (EN 3.7035) or Tantalum.

Coupling ¹⁾: AISI316L (EN 1.4404), Duplex (EN 1.4462), Hast.C276 (EN 2.4819) or Titanium Gr2 (EN 3.7035).

Other sensing element materials: AISI316, SIS2343.

Filling fluid: Silicone oil, food industry oil or inert oil

Enclosure class IP66

¹⁾ Parts in contact with process medium

Housing with PLUG connector,

housing type codes H and T

Housing: AISI303/316

Seals: Viton® and NBR

TEST jacks: MS358Sn/PVDF, protected with silicone rubber shield.

PLUG connector: PA6-GF30 jacket, Silicone rubber seal, AISI316 retaining screw.

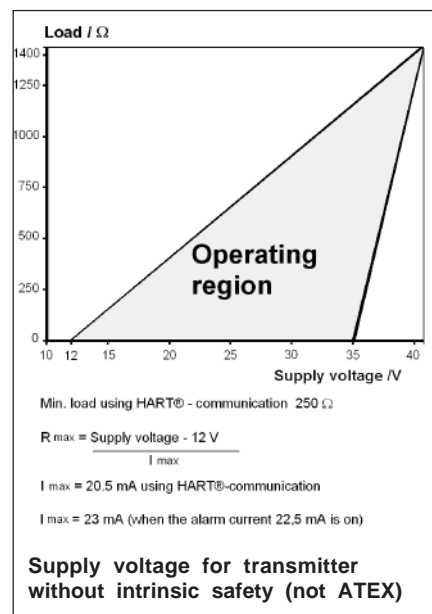
Housing with junction box/terminal strip, housing type codes M and N

Housing: AISI303/316; Seals: Nitrile and Viton®; Nameplates: Polyester

Connection hose between sensing element and housing

Codes L and K:

PTFE hose with AISI316 braiding.



Pressure limits

Maximum process pressure, MPa

Transmitter type	Max. overload pressure	Pressure class
VG3	0.2	PN40
VG4	0.3	PN40
VG5	1.5	PN40
VG6	7.5	PN100
VG7	40.0	PN250
VG8	100.0	PN250

Minimum process pressure

T _{proc.} °C	Minimum pressure for different fill fluids (kPa, abs.)	
	DC200 100 cSt	Inert oil
20	5	8
40	8	10
80	16	28
120	21	53

SATRON VG Flush Mount Pressure Transmitter

Calibration

For customer-specified range with 1 s. damping. (If range is not specified, transmitter is calibrated for maximum range.)

Electrical connections

Housing with PLUG connector, **H** and **T**:
PLUG connector, connector type DIN 43650 model AF; Pg9 gland for cable; wire cross-section 0.5 to 1.5 mm².

Housing with junction box/terminal strip, **M** and **N**:
M20x1.5, 1/2-NPT inlet; screw terminals for 0.5 to 2.5 mm² wires

Process connections

G1 connecting thread
Process couplings: See Selection Chart and installation instructions or technical specification: Couplings for Transmitters **G150**.

Weight

Transmitter
- with housing type **H** and **T**: 0.7 kg
- with housing type **M** ja **N**: 1.2 kg

Product Certifications

European Directive Information

Electro Magnetic Compatibility (EMC directive 2004/108/EC)

All pressure transmitters

Atex Directive (94/9/EC)

Satron Instruments Inc. complies with the ATEX Directive.

European Pressure Equipment Directive (PED) (97/23/EC)

All Pressure Transmitters :
- Sound Engineering Practice

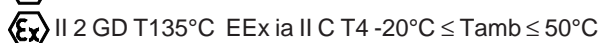
Hazardous Locations Certifications

European Certifications

ATEX Intrinsic Safety

Certification No. : DNV-2007-OSL-ATEX- 1346X





Input Parameters :

$U_i = 28 \text{ V}$

$I_i = 93 \text{ mA}$

$P_i = 0.651 \text{ W}$

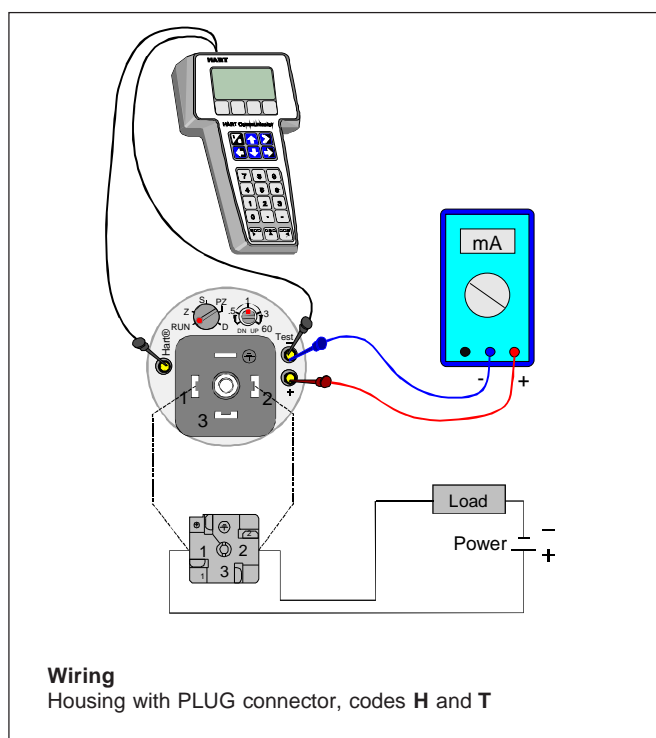
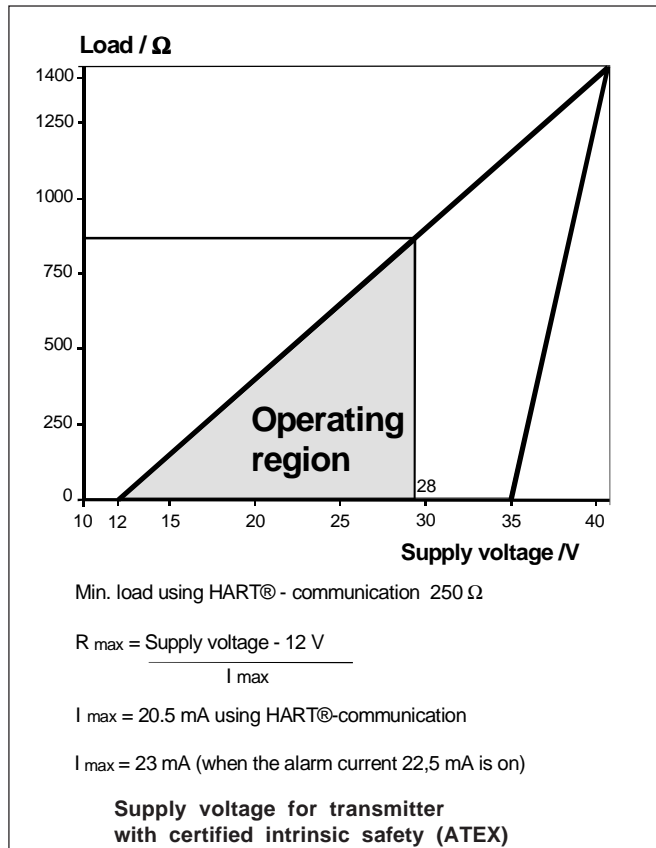
$C_i = 5 \text{ nF}$

$L_j = 0.2 \text{ mH}$

Special Conditions for Safe Use (X) :

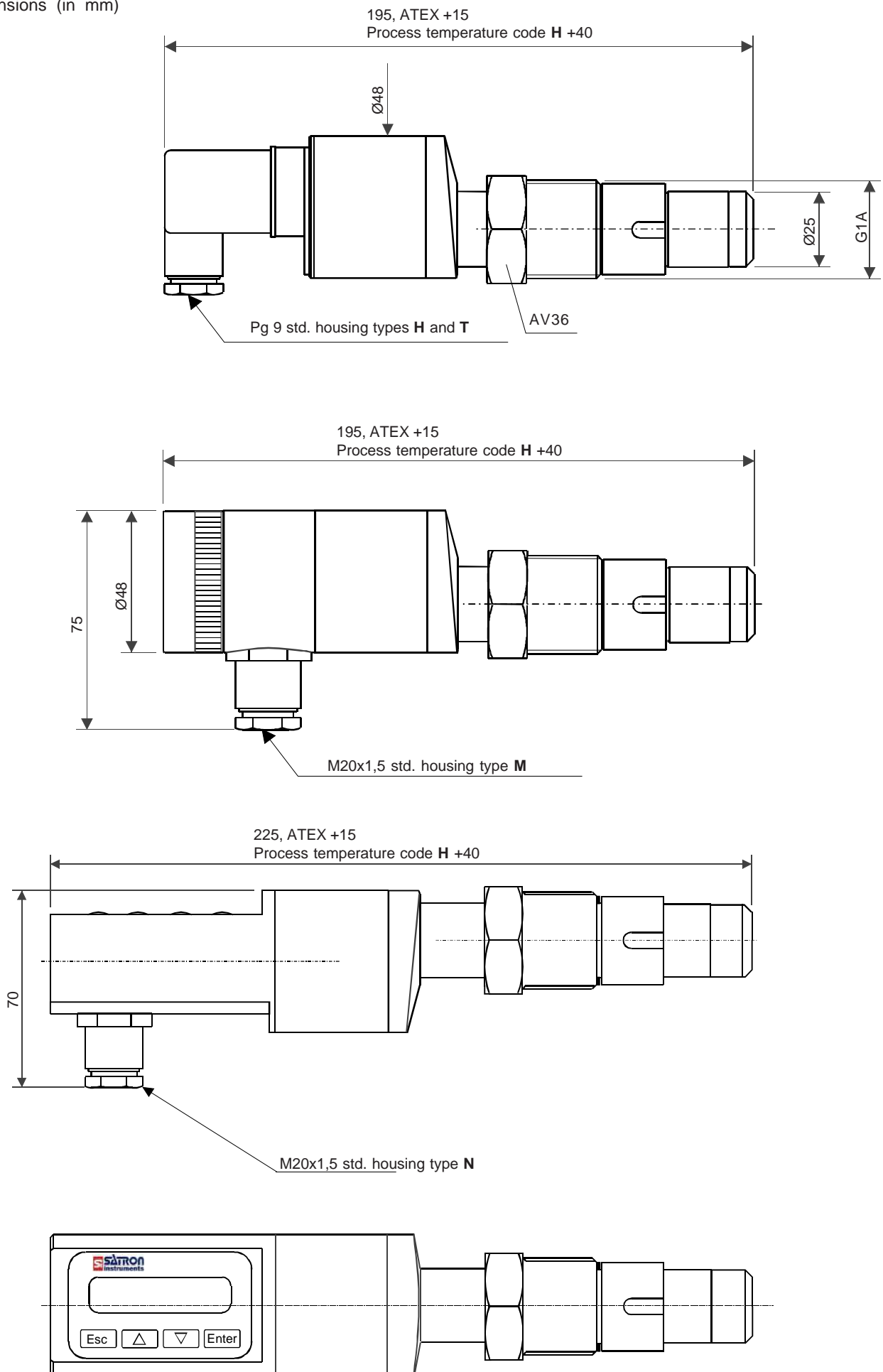
The enclosure with plastic window and the plastic DIN43650 connector must not be installed in potentially explosive atmosphere requiring category 1 apparatus. The non-conducting surface of the sensor element may be charged by the flow of non-conducting media, so there may be electrostatic hazard with IIC-gases. These units should be marked 2 GD.

The equipment shall be installed and connected according to the manufacturers instructions.



SATRON VG Flush Mount Pressure Transmitter

Dimensions (in mm)



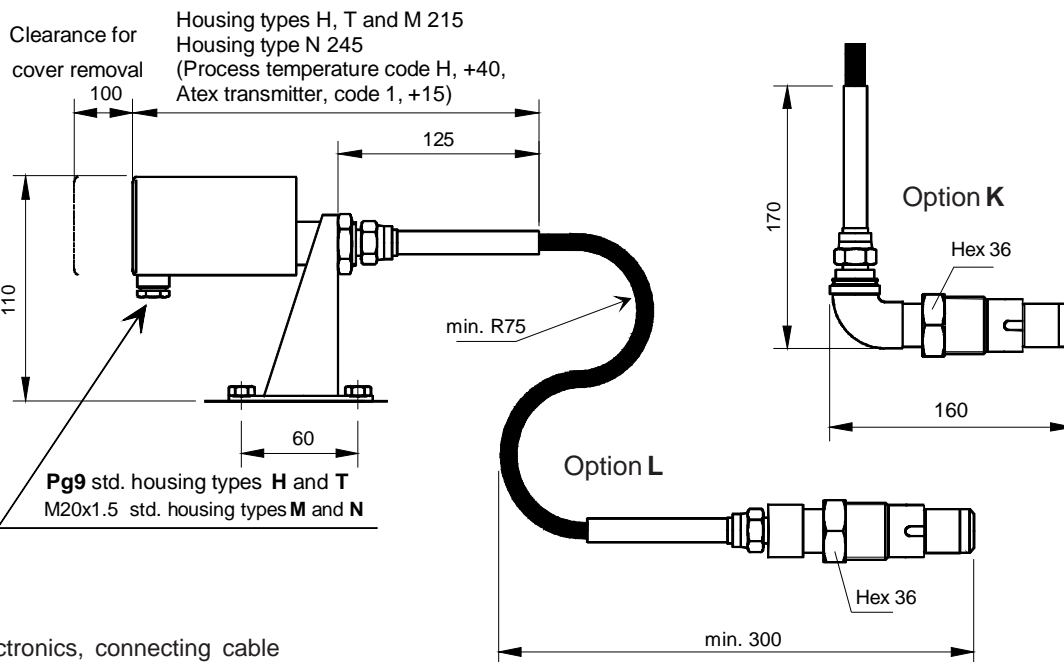
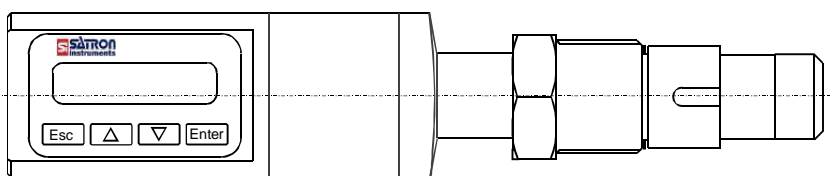
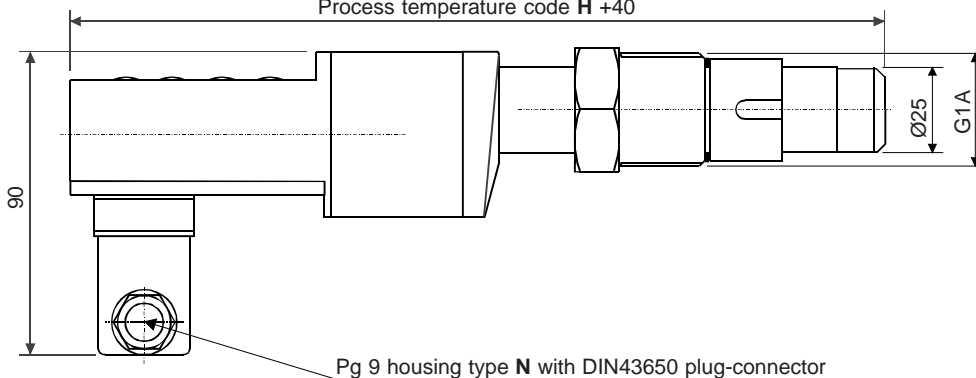
1300354100

SATRON VG Flush Mount Pressure Transmitter

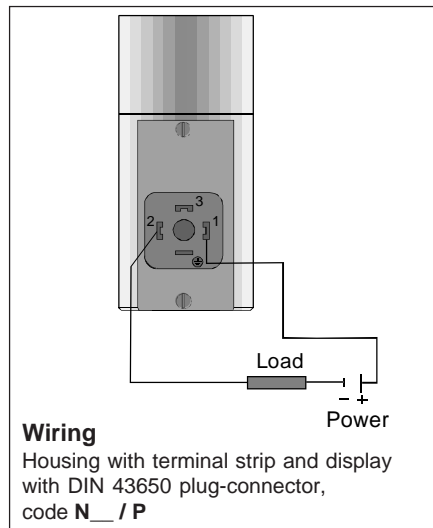
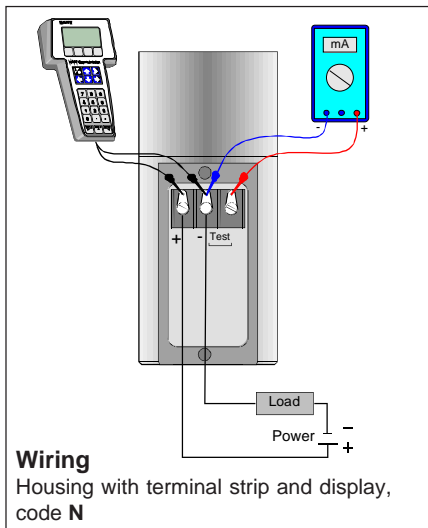
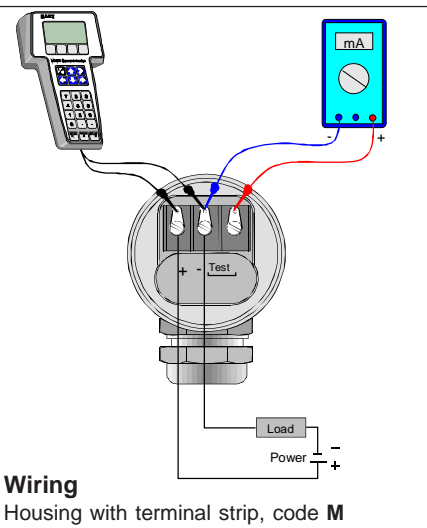
Dimensions (in mm)

225, ATEX +15
Process temperature code H +40

1300354100

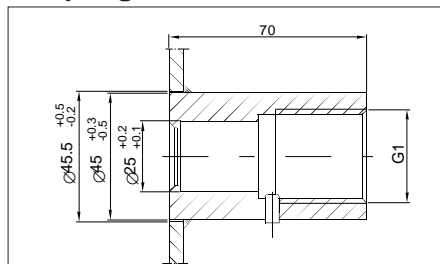


Remote electronics, connecting cable with protection hose, codes L and K



SATRON VG Flush Mount Pressure Transmitter

Couplings



Standard coupling

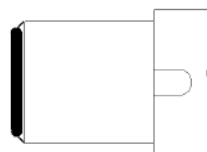
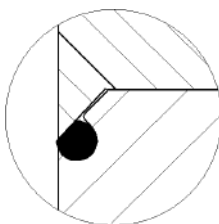
Material: AISI316 L or Hastelloy C

Special couplings:

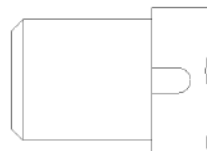
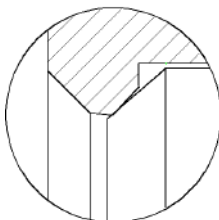
- G1 hygienic coupling, M548101
- G1/2A/G1 coupling, M546190
- G1/2A/G1 coupling with venting, M860280
- G1/2A/G1 couplings with bracket:
 - G1/2A male, M546195
 - G1/2 female, M550393

Transmitter's process sealing

Three different options are available for the transmitter's process sealing:



AISI316L, AISI317L or Duplex diaphragm, FPM (Viton) or EPDM O-ring (code 5 or 6) EHEDG - certified



AISI316L, CoNi-, Duplex, Hastelloy C276, Tantalum or Titanium diaphragm, metal/metal taper sealing (diaphragm also on sealing face) (code 4)

Flanges:

Dimensions of flanged couplings, see the installation and setting-up instructions

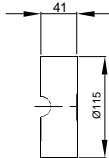
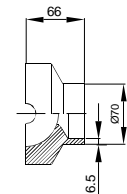
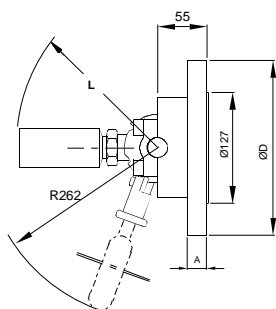
PASVE® mounting & service valve

All PASVE® types are also available with pneumatic actuator, flushing and limit switches.

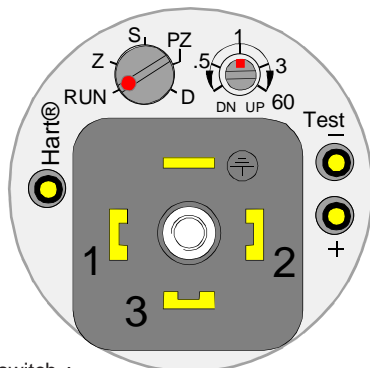
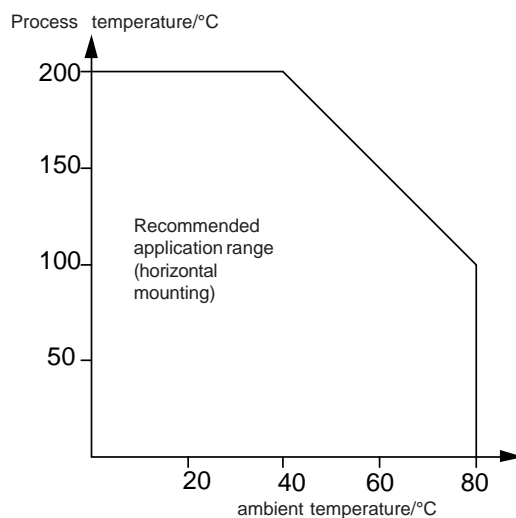
PASVE GF (NF)
(Flange type)

GP (NP)
(Welded on pipe)

GC (NC)
(Welded on container)



Process temperature limits, code H



- Use of selector switch :
- RUN = working position
 - PZ = Process value zero
 - D = Damping adjustment
 - S = Span adjustment
 - Z = Zero adjustment
 - DN = Down
 - UP = Up

Housing with PLUG connector, housing code T



Keyboard :

- Esc = Press **Esc** move back towards the top of the main menu.
- ▲ = Use the **UP** arrow key to move up on the current menu level or to increase the selected parameter value.
- ▼ = Use the **DOWN** arrow key to move down on the current menu level or to decrease the selected parameter value.
- Enter = Press **ENTER** to move to a lower level in a menu or to accept a command or parameter value.

Housing with display, housing code N

SATRON VG Flush Mount Pressure Transmitter

BPLV700

01.01.2014

Selection Chart

Adjustability	Span, min	Span, max	Measuring range
VG3	1.4 kPa (14 mbar)	35 kPa (350 mbar)	-35...+35 kPa (-350...350 mbar)
VG4	4 kPa (40 mbar)	100 kPa (1000 mbar)	-100...+100 kPa (-1000...1000 mbar)
VG5	10 kPa (100 mbar)	500 kPa (5000 mbar)	-100...+500 kPa (-1000...5000 mbar)
VGA5	10 kPa (100 mbar)	500 kPa (5000 mbar)	0...+500 kPa (0...5000 mbar), abs.
VG6	0.03 MPa (0.3 bar)	3 MPa (30 bar)	-0.1...+3 MPa (-1...30 bar)
VGA6	0.03 MPa (0.3 bar)	3 MPa (30 bar)	0...+3 MPa (0...30 bar), abs.
VG7	0.15 MPa (1.5 bar)	15 MPa (150 bar)	0...+15 MPa (0...150 bar), abs.
VG8	1 MPa (10 bar)	25 MPa (250 bar)	-0,1...+25 MPa (-1...250 bar)

Output S 4-20mA DC/HART® -protocol

Process seal 4 metal/metal taper 5 O-ring FPM (Viton®) (1) 6 O-ring EPDM (1)

Wetted materials

Code	Material	Code	Material
2	AISI316L (EN 1.4435)	6	Titanium Gr2 (*) (**) (****)
3	Hast. C 276 (*) (**)	7	CoNi-alloy (*) (not ranges 3-4)
5	Tantalum (*) (**)	8	Duplex (EN 1.4462) (*) (**)

Diaphragm coating

Code	Material
9	gold/Rhodium
Y	diamond (specify only when coated)

Fill fluid S Silicon oil G Inert oil A Food and beverage special oil (Neobee M20)

Housing type

H	Housing with PLUG-connector, DIN43650, no display, inlet PG9
T	Housing with PLUG-connector and with manual adjust, DIN43650, no display, inlet PG9, (no ATEX)
M	Housing with junction box/terminal strip, no display, inlet M20x1,5
N	Housing with junction box/terminal strip, with display, inlet M20x1,5

Explosion proof 0 No explosion proof classification 1 Atex Intrinsic Safety,  II 1 GD T135°C (***)

Process temperature limits N -30 ... +125 °C H 0 ... +200 °C (*) (**)

Process coupling

0 No coupling E Hygienic coupling
G Standard coupling

Material

2 AISI316L
3 Hast.C276
6 Titanium Gr2
8 Duplex

PASVE® mounting valve, specify separately in the order

Specify special couplings separately in the order

Special size of electrical inlet

N 1/2 NPT G Pg13.5 P Plug connector DIN 43650

Special features

Remote electronics (specify only if housing connected with cable to sensing element)

- connecting cable with protection hose

L Hose protected with PTFE/AISI316 braiding, straight
K Hose protected with PTFE/AISI316 braiding, angle of 90°

Length of connection cable between sensing element and housing

2 2 m cable 3 3 m cable etc. (max. 10 m)

Mounting parts for remote electronics for Ø 51 mm tube

0 No mounting parts 1 Mounting parts

Documentation

Calibration certificate AE English

Installation and operating instructions IE English IF Finnish

Material certificates

0 No material certificate

MC1 Raw material certificate without appendices, in accordance with SFS-EN 10204-2.1 (DIN 50049-2.1) standard

MC2 Raw material certificate for wetted parts, in accordance with SFS-EN 10204-2.2 (DIN 50049-2.2) standard

MC3 Raw material certificate for wetted parts, in accordance with SFS-EN 10204-3.1 B (DIN 50049-3.1 B) standard

We reserve the right for technical modifications without prior notice.

HART is the registered trademark of HART Communication Foundation.

Pasve is the registered trademark of Satron Instruments Inc.

Hastelloy is the registered trademark of Haynes International.


Teflon is the registered trademark of E.I. du Pont de Nemours & Co.

Viton is the registered trademark of DuPont Down Elastomer.



(*) = only process seal code 4

(**) = not for range 3

(***) = Housing H and N :  II 2 GD T135°C ATEX transmitters with display are the model without membrane key.

(****) = Min. process temperature limits 0 °C

(1) = EHEDG - certified

SATRON VV Pressure Transmitter

SATRON VV pressure transmitter belongs to V-transmitter family. The series V transmitters have both analog and smart properties. SATRON VV is used for 0-1.4 kPa...0-0.5 MPa ranges. It is a 2-wire transmitter with HART® standard communication.

SATRON VV pressure transmitter is suitable for liquid level measurements in ground, rock and ships' tanks, and in open channels.

SATRON VV pressure transmitter can be used in corrosive conditions and to measure contaminating liquids. Possible foam on the surface of the measured liquid does not disturb the measurement. SATRON VV does not require compressed air supply.

The transmitter's sensor is piezoresistive. The rangeability is 50:1 for type VV5.

TECHNICAL SPECIFICATIONS

Measuring range and span

See Selection Chart.

Zero and Span adjustment

Zero elevation: Calibrated span is freely selectable on the specified range depending from the desired option. This can be made by using extern control shafts (analog option), keyboard (display option) or HART®275/375 communicator.

Damping

Time constant is continuously adjustable 0.01 to 60 s.

Temperature limits

Process: -10 to +125 °C

Ambient: -30 to +80 °C

Shipping and storage: -40 to +80 °C.

Operating temperature of display:

0 to +50°C (does not affect operation of the transmitter)

Equipment cabinet is recommended for extremely demanding conditions.

Pressure limits

Min. and max. process pressure: See the appended tables.

Output 2-wire (2W), 4-20 mA, user selectable for linear, square root, inverted signal or the transfer function (16 points) specified by the user

Supply voltage and permissible load

See the load capacity diagram;
4-20 mA output: 12-35 VDC.

Humidity limits 0-100 % RH; freezing of condensed water is not allowed in reference pressure channels.

PERFORMANCE SPECIFICATIONS

Tested in accordance with IEC 60770: Reference conditions, specified span, no range elevation, AISI316L diaphragm, silicone oil fill.

Accuracy

- ±0.05 % of calibrated span (span 1:1-5:1 / max.range).
On the measuring ranges 5:1- 50:1:

$$\pm [0.01 + 0.012 \times \left(\frac{\text{max. span}}{\text{calibrated span}} \right)] \% \text{ of calibrated span}$$

(incl. nonlinearity, hysteresis and repeatability)

Long-term stability

±0.1 % of max. span per 12 months

Temperature effect on compensated temperature ranges

Zero and span shift: ±0.15 % of max. span

Mounting position effect

Zero error <0.32 kPa, which can be calibrated out.

Vibration effect (IEC 68-2-6: FC):

±0.1 % of measuring range/
2 g/10 to 2000 Hz
4 g/10 to 100 Hz

Power supply effect

<±0.01 % of calibrated span per volt.

Insulation test voltage

500 V rms 50 Hz.

CONSTRUCTION AND CALIBRATION

Materials

Diaphragm ¹⁾: AISI316L (EN 1.4435), Hast. C276 (EN 2.4819) or Tantalum. Sensing element ¹⁾: AISI316, PTFE/ AISI316 or PVC

Other materials: SIS2343

Fill fluid Silicone oil or inert oil.

Housing with PLUG connector, codes H and T

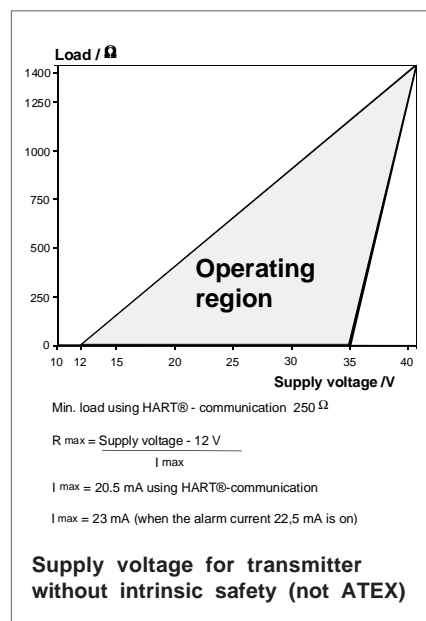
Housing: AISI316/303
Seals: Viton® and NBR
TEST jacks: MS358Sn/PVDF, protected with silicone rubber shield.
PLUG connector: PA6-GF30 jacket, Silicone rubber seal, AISI316 retaining screw.

Housing with junction box/terminal strip, codes M and N

Housing: AISI303/316; Seals: Nitrile and Viton®; Nameplates: Polyester

Connection cable between sensing element and housing

(code L and K):
PTFE hose with AISI316 braiding.



Equipment cabinet Rittal AE1380, Steel cabinet with polyester paint.

Enclosure class: IP66.

Calibration

For customer-specified range with 1 s. damping. (If range is not specified, transmitter is calibrated for maximum range.)

Electrical connections

Housing with PLUG connector, codes H and T:
PLUG connector, connector type DIN 43650 model AF; Pg9 gland for cable; wire cross-section 0.5 to 1.5 mm².

Housing with junction box/terminal strip, codes M and N:
M20x1.5, 1/2-NPT inlet; screw terminals for 0.5 to 2.5 mm² wires.

¹⁾ Parts in contact with process medium

Pressure limits			Minimum process pressure		
Maximum process pressure, MPa			Minimum process pressure for different fill fluids (kPa, abs.)		
Transmitter type	Max. overload pressure	Pressure class	T _{proc.} °C	Minimum process pressure	
				DC200 100 cSt	Inert oil
VV...3	0.2	PN40	20	5	8
VV...4	0.3	PN40	40	8	10
VV...5	1.5	PN40	80	16	28

SATRON VV Pressure Transmitter

Process connections

DN50PN40, DN80PN40, ANSI2" 150 lbs/300 lbs, ANSI3" 150 lbs/300 lbs; clamp mounting on angle bracket (see INSTALLATION)

Weight (kg):

- VVF 2.2 kg
 - VVP 8.7 kg
 - VVH 9.2 kg
- + 1 kg/m with PVC protective tube and 3 kg/m with AISI316 protective tube.

Product Certifications

European Directive Information

Electro Magnetic Compatibility (EMC directive 2004/108/EC)

All pressure transmitters

Atex Directive (94/9/EC)

Satron Instruments Inc. complies with the ATEX Directive.

European Pressure Equipment Directive (PED) (97/23/EC)

All Pressure Transmitters :
- Sound Engineering Practice

Hazardous Locations Certifications

European Certifications

ATEX Intrinsic Safety

Certification No. : DNV-2007-OSL-ATEX- 1346X

⊕ II 1 GD T135°C EEx ia II C T4 -20°C ≤ Tamb ≤ 50°C

⊕ II 2 GD T135°C EEx ia II C T4 -20°C ≤ Tamb ≤ 50°C

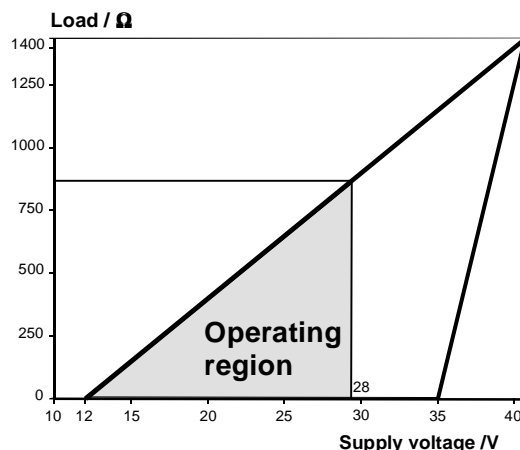
Input Parameters :

$U_i = 28 \text{ V}$
 $I_i = 93 \text{ mA}$
 $P_i = 0.651 \text{ W}$
 $C_i = 5 \text{ nF}$
 $L_i = 0.2 \text{ mH}$

Special Conditions for Safe Use (X) :

The enclosure with plastic window and the plastic DIN43650 connector must not be installed in potentially explosive atmosphere requiring category 1 apparatus.

The non-conducting surface of the sensor element may be charged by the flow of non-conducting media, so there may be electrostatic hazard with IIC-gases. These units should be marked 2 GD. The equipment shall be installed and connected according to the manufacturers instructions.



Min. load using HART® - communication 250 Ω

$$R_{\max} = \frac{\text{Supply voltage} - 12 \text{ V}}{I_{\max}}$$

$I_{\max} = 20.5 \text{ mA}$ using HART®-communication

$I_{\max} = 23 \text{ mA}$ (when the alarm current 22,5 mA is on)

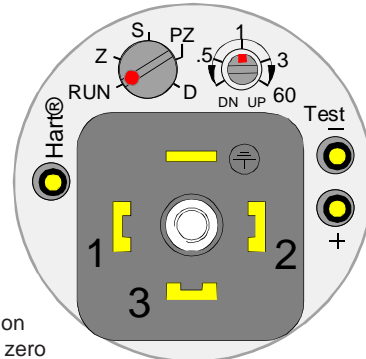
Supply voltage for transmitter with certified intrinsic safety (ATEX)



Keyboard :

- Esc** = Press **Esc** to move back towards the top of the main menu.
- ▲** = Use the UP arrow key to move up on the current menu level or to increase the selected parameter value.
- ▼** = Use the DOWN arrow key to move down on the current menu level or to decrease the selected parameter value.
- Enter** = Press **Enter** to move to a lower level in a menu or to accept a command or parameter value.

Housing with display, code N

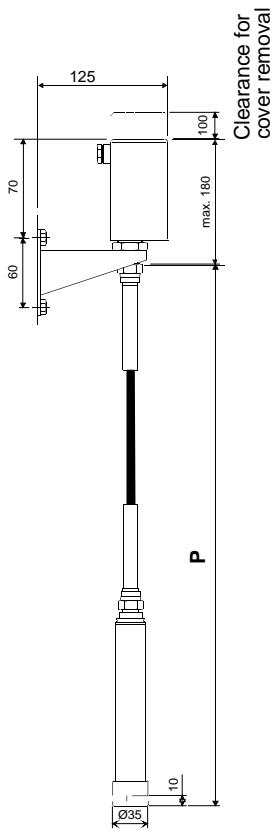


Use of selector switch :

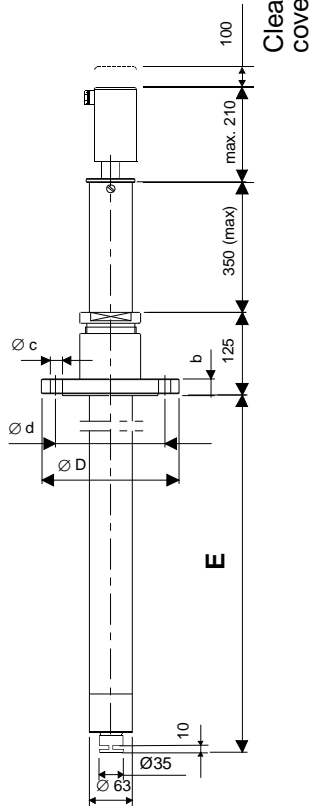
- RUN** = Working position
- PZ** = Process value zero
- D** = Damping adjustment
- S** = Span adjustment
- Z** = Zero adjustment
- DN** = Down
- UP** = Up

Housing with PLUG connector, code T

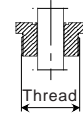
Dimensional drawings (drawings in mm)



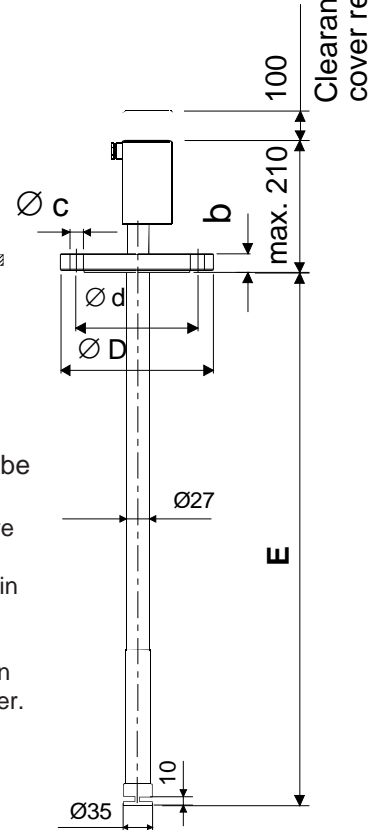
Type VVF



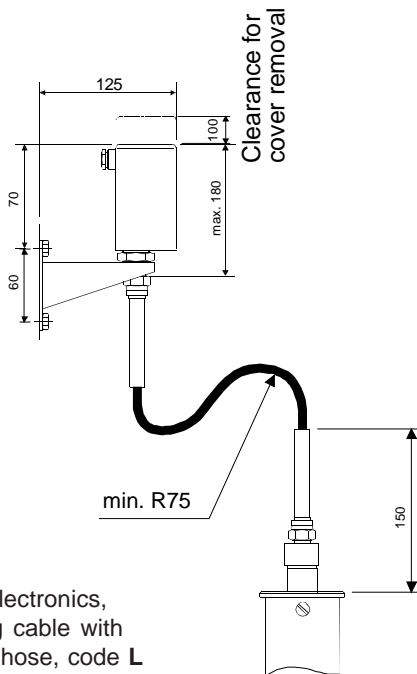
Type VVP



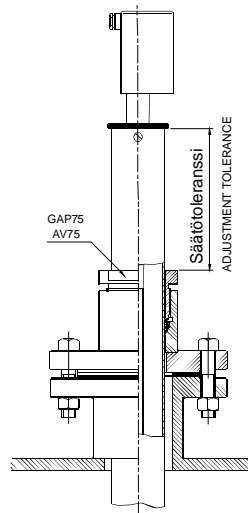
Instead of the flange threaded sleeve can also be used.
Flange and threaded sleeve is possible to have also in VVF type. See the threads in selection chart.
In VVF type the place of the flange/ threaded sleeve can be changed by the customer.



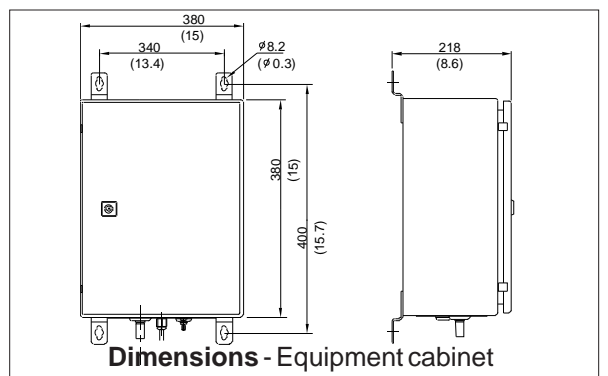
Type VVH



Remote electronics, connecting cable with protection hose, code L (for transmitter types VVP and VVH)



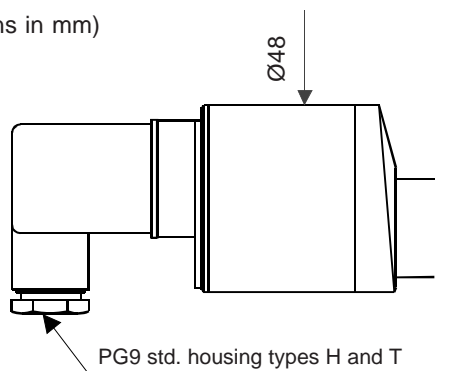
Flange mounting with adjustment facility, type VVP



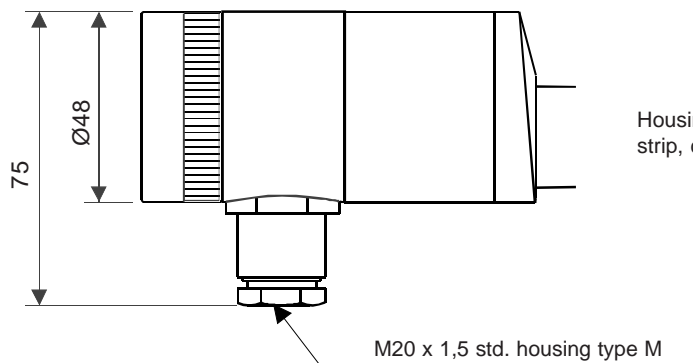
Dimensions - Equipment cabinet

Type	P/m		E/m		Flange	Code	ØD	Ød	Øc	b
	min.	max.	min.	max.						
VVF	1.0	20.0	-	-	DN50 PN40	DB	165	125	4x18	20
VVP	-	-	1.0	5.5	DN80 PN40	DC	200	160	8x18	24
VVH	-	-	1.0	5.5	ANSI2"150lb	AC	152	120.6	4x20	23
					ANSI2"300lb	AD	165	127	8x20	25
					ANSI3"150lb	AE	191	152.4	4x20	26
					ANSI3"300lb	AF	210	168.3	8x23	31

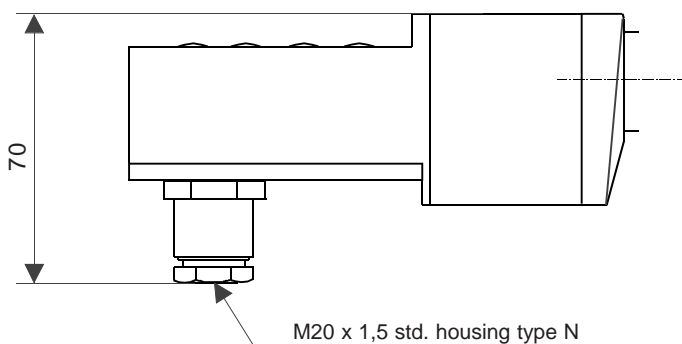
Dimensional drawings (dimensions in mm)



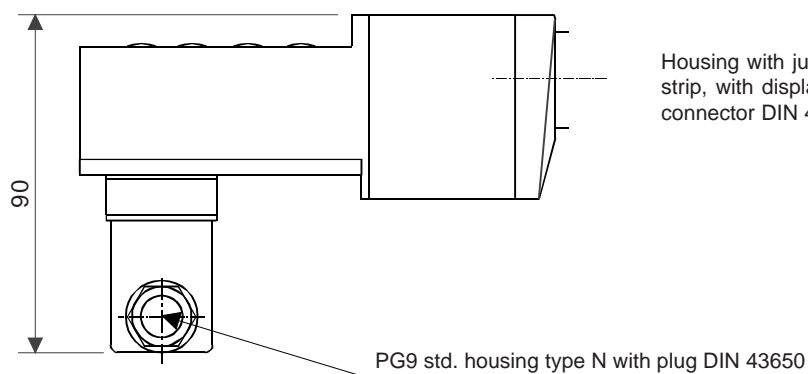
Housing with plug-connector, DIN 43650, codes H and T



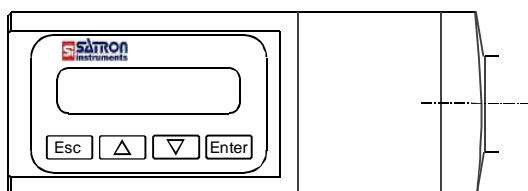
Housing with junction box/terminal strip, code M



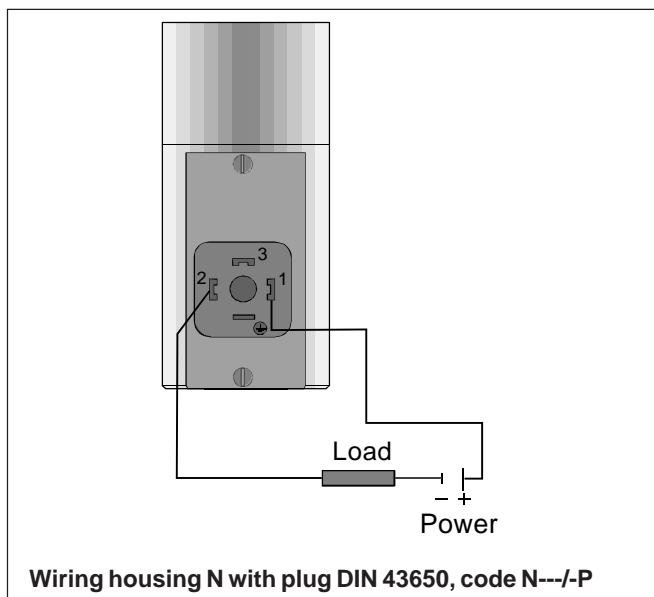
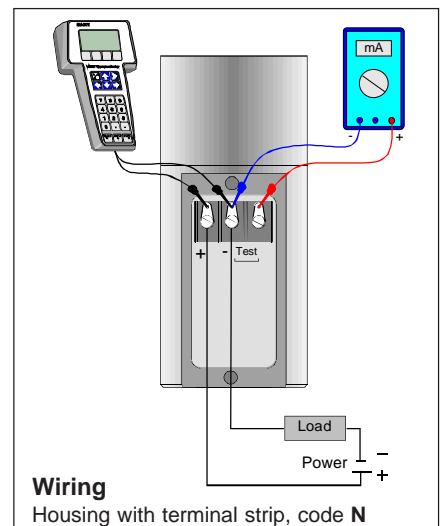
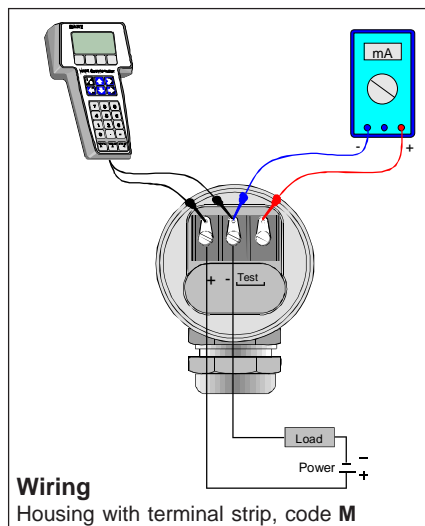
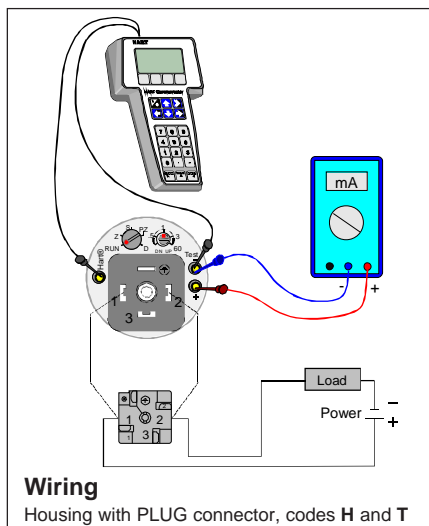
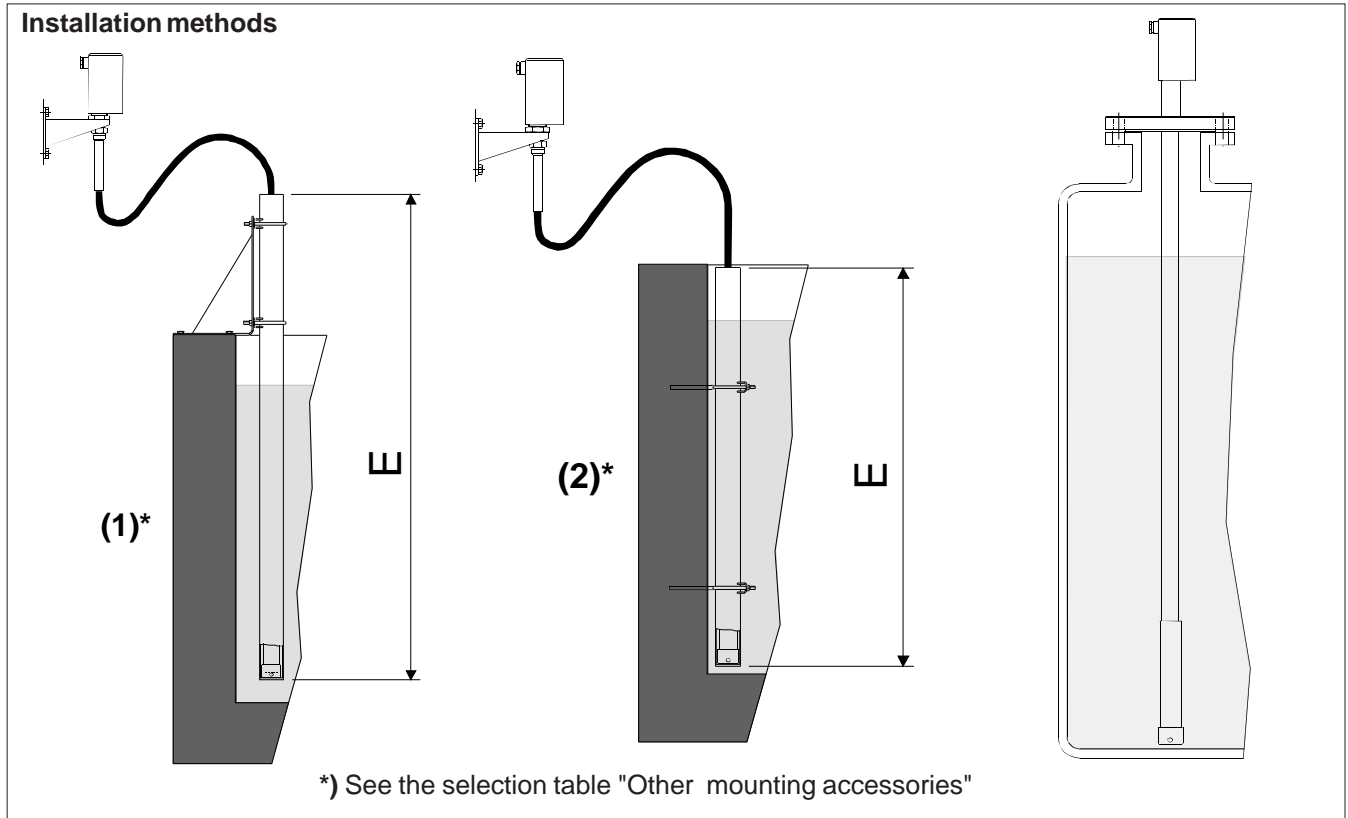
Housing with junction box/terminal strip, with display, code N





Housing with junction box/terminal strip, with display and plug-connector DIN 43650, code N--- /-P



SATRON VV Pressure Transmitter




Selection Chart

Transmitter types				
VVF	Flexible PTFE hose (PTFE/AISI316 braiding)			
VVP	PVC hose/Flange			
VVH	AISI316L hose/Flange (Fixed mounting tube)			
Adjustability	Span, min.	Span, max.	Measuring range	
3	1.4kPa (14 mbar)	35 kPa (350 mbar)	-35...+35 kPa (-350...350 mbar)	
4	4kPa (40 mbar)	100 kPa (1000 mbar)	-100...+100 kPa (-1000...1000 mbar)	
5	10 kPa (100 mbar)	500 kPa (5000 mbar)	-100...+500 kPa (-1000...5000 mbar)	
Output	S 4-20mA DC/HART® -protocol			
Flange or thread	0 no flange or thread	DB DN50 PN40	DC DN80 PN40	AC ANSI 2" 150lbs
	AD ANSI 2" 300 lbs	AE ANSI 3" 150 lbs	AF ANSI 3" 300lbs	GA G1½A
	GB G2A	GC G1A	NA 1½ - NPT	NB 2 - NPT
Wetted materials	Flange	Diaphragm	Extension	
	Code	Code		
	2 AISI316L	2 AISI316L/317L	(type VVF=PTFE/AISI316)	
	3 Hast.C 276	3 Hast.C 276 (*)	(type VVP=PVC)	
		5 Tantalum (*)	(type VVH=AISI316)	
Fill fluid	S Silicone oil		G Inert oil	
Housing type	H Housing with PLUG-connector, DIN43650, no display, inlet PG9 T Housing with PLUG-connector with manual adjust, DIN43650, no display, inlet PG9, (no ATEX) M Housing with junction box/terminal strip, no display, inlet M20x1,5 N Housing with junction box/terminal strip, with display, inlet M20x1,5 C Transmitter with equipment cabinet (for transmitter type VVF and for special electronics) D Transmitter with equipment cabinet + heating element (for type VVF and for special electronics)			
Explosion proof	0 No explosion proof classification 1 Atex Intrinsic Safety,  II 1 GD T135°C (**)			
Length P of PTFE/AISI316 hose between sensing element and housing (specify for transmitter type VVF)	P10 1.0 m hose P25 2.5 m hose ... P200 20.0 m hose			
Length E of mounting/protective tube (specify for transmitter type VVP and VVH also with the type VVF if the protective tube is used)	E10 1.0 m hose E15 1.5 m hose ... E55 5.5 m hose			
				
Other mounting accessories	0 No mounting accessories 1 Mounting bracket/Clamps/Protective tube 2 Clamps/Protective tube			
Special size of electrical inlet	N 1/2NPT G Pg13.5 P Plug DIN 43650			
Special features	Special electronics (specify only if housing connected with hose to sensing element) for transmitter types VVP and VVH - connecting cable with protection hose L Hose protected with PTFE/AISI316 braiding, straight K Hose protected with PTFE/AISI316 braiding, angle of 90° Length of cable between sensing element and housing (specify only if housing connected with cable to sensing element) 2 2 m cable 3 3 m cable etc. (max. 10 m) Mounting parts for remote electronics for Ø51 mm tube 0 No mounting parts 1 Mounting parts			
Documentation	Calibration Certificate AE English Installation and Operating Instructions IE English IF Finnish Material Certificates 0 No material certificate MC1 Raw materials certificate without appendices, in accordance with SFS-EN 10204-2.1 (DIN 50049-2.1) standard MC2 Raw materials certificate for wetted parts with appendices, in accordance with SFS-EN 10204-2.2 (DIN 50049-2.2) standard MC3 Raw materials certificate for wetted parts with appendices, in accordance with SFS-EN 10204-3.1B (DIN 50049-3.1B) standard			

We reserve the right for technical modifications without prior notice.
 HART® is a registered trademark of HART Communication Foundation.
 Hastelloy® is the registered trademark of Haynes International.
 Teflon® is the registered trademark of E.I. du Pont de Nemours & Co.
 Viton® is the registered trademark of DuPont Dow Elastomers.



(*) = not for range 3

(**) = Housing H and N :  II 2 GD T135°C
 ATEX transmitters with display are the model without membrane key.

SATRON VVF_e Pressure Transmitter

SATRON VVF_e pressure transmitter belongs to V-transmitter family.

SATRON VVF_e is used for 0 - 4 kPa...0-500 kPa ranges. It is a 2-wire transmitter with HART® standard communication.

SATRON VVF_e pressure transmitter is suitable for liquid level measurements in ground, rock and ships' tanks, drill well and in open channels.

SATRON VVF_e pressure transmitter can be used to measure contaminating liquids. Possible foam on the surface of the measured liquid does not disturb the measurement.

SATRON VVF_e does not require compressed air supply.

The transmitter's sensor is piezoresistive.



TECHNICAL SPECIFICATIONS

Measuring range and span

See Selection Chart.

Zero and Span adjustment

Zero elevation: Calibrated span is freely selectable on the specified range depending from the desired option.

This can be made by using external control shafts (analog option), keyboard (display option) or HART®275/375 communicator.

Damping

Time constant is continuously adjustable 0.01 to 60 s.

Response time

Maximum 100 ms

Temperature limits

Process: -10 to +80 °C

Ambient: -30 to +80 °C

Shipping and storage: -40 to +80 °C.

Operating temperature of display:

0 to +50°C (does not affect operation of the transmitter).

Pressure limits

Min. and max. process pressure: See the appended tables.

Volumetric displacement

< 0.5 mm³/max. span

Output 2-wire (2W), 4-20 mA, user selectable for linear, square root, inverted signal or the transfer function (16 points) specified by the user

Supply voltage and permissible load

See the load capacity diagram;
4-20 mA output: 10-35 VDC.

Humidity limits 0-100 % RH; freezing of condensed water is not allowed in reference pressure channels.

PERFORMANCE SPECIFICATIONS

Tested in accordance with IEC 60770:

Reference conditions, specified span, no range elevation, AISI316L diaphragm, silicone oil fill.

Accuracy

- ±0.1 % of calibrated span (span 1:1-7.5:1 /max.range).
On the measuring ranges 7.5:1- 50:1:
 $\pm[0.025+0.010 \times (\frac{\text{max. span}}{\text{calibrated span}})]\%$ of calibrated span

(incl. nonlinearity, hysteresis and repeatability)

Long-term stability

±0.1 % of max. span per 12 months

Temperature effect on compensated temperature ranges -20...+80 °C

Zero and span shift, type VVF_e5:
±0.15 % of max. span

Zero and span shift, type VVF_e4:
±0,25 % of max. span

Mounting position effect

Zero error <0.15 kPa, which can be calibrated out.

Vibration effect (IEC 68-2-6: FC):

±0.1 % of measuring range/
2 g/10 to 2000 Hz
4 g/10 to 100 Hz

Power supply effect

<±0.01 % of calibrated span per volt.

European Directive Information

European Pressure Equipment Directive (PED) (97/23/EY)

- Sound Engineering Practice

Electro Magnetic Compatibility (EMC directive 2004/108/EC)

Insulation test voltage

500 V rms 50 Hz.

CONSTRUCTION AND CALIBRATION

Wetted materials

Metal parts: AISI316L (EN 1.4404)

Jacket of cable: PUR

Other materials: AISI303/316

Fill fluid Silicone oil or inert oil.

Housing with PLUG connector, code H

Housing: AISI316/303

Seals: Viton® and NBR

TEST jacks: MS358Sn/PVDF,

protected with silicone rubber shield.

PLUG connector: PA6-GF30 jacket,

Silicone rubber seal, AISI316 retaining screw.

Housing with junction box/terminal strip, codes M and N:

Pressure limits

Maximum process pressure, MPa

Transmitter type	Max. overload pressure	Pressure class
VVF _e 5	1.5	PN40

Housing: AISI303/316; Seals: Nitrile and Viton®; Nameplates: Polyester

Enclosure class: IP66.

Calibration

For customer-specified range with 1 s. damping. (If range is not specified, transmitter is calibrated for maximum range.)

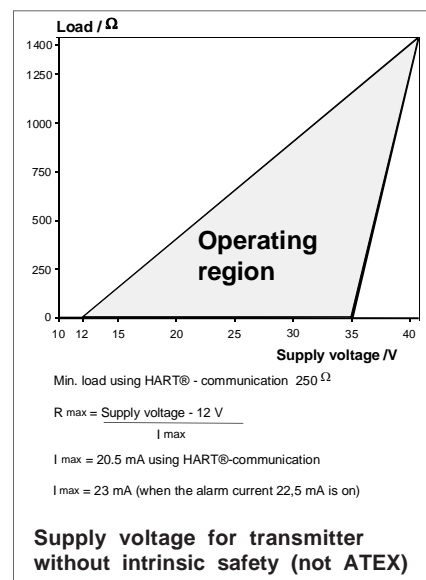
Electrical connections

Housing with PLUG connector, code H:

PLUG connector, connector type DIN 43650 model AF; Pg9 gland for cable; wire cross section 0.5 to 1.5 mm².

Housing with junction box/terminal strip, codes M and N:

M20x1.5, 1/2-NPT inlet; screw terminals for 0.5 to 2.5 mm² wires.



Minimum process pressure

T _{proc.} °C	Minimum process pressure for different fill fluids (kPa,abs.)	
	DC200 100 cSt	Inert oil
20	5	8
40	8	10
80	16	28
120	21	53

SATRON VVF_e Pressure Transmitter

BLV811

1.5.2014

Weight

Transmitter

- with housing type **H** : 0,9 kg
- with housing type **M** : 1,4 kg
- with housing type **N** : 1,5 kg

Product Certifications

European Directive Information

Electro Magnetic Compatibility (EMC directive 2004/108/EC)

All pressure transmitters

Atex Directive (94/9/EC)

Satron Instruments Inc. complies with the ATEX Directive.

European Pressure Equipment Directive (PED) (97/23/EC)


All Pressure Transmitters :
- Sound Engineering Practice


Hazardous Locations Certifications

European Certifications

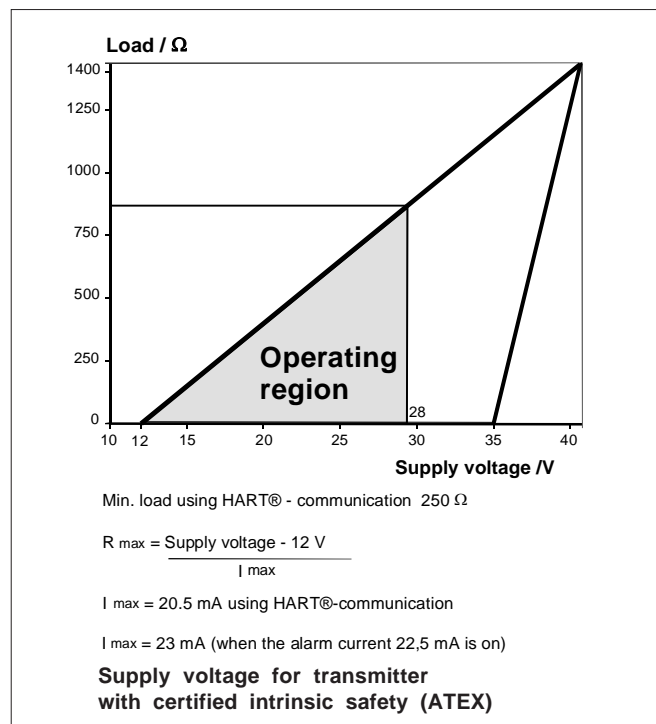
ATEX Intrinsic Safety

Certification No. : DNV-2007-OSL-ATEX- 1346X

 II 1 GD T135°C EEx ia II C T4 -20°C ≤ Tamb ≤ 50°C

 II 2 GD T135°C EEx ia II C T4 -20°C ≤ Tamb ≤ 50°C

Input Parameters :

U_i = 28 VI_i = 93 mAP_i = 0.651 WC_i = 5 nFL_i = 0.2 mH

Special Conditions for Safe Use (X) :

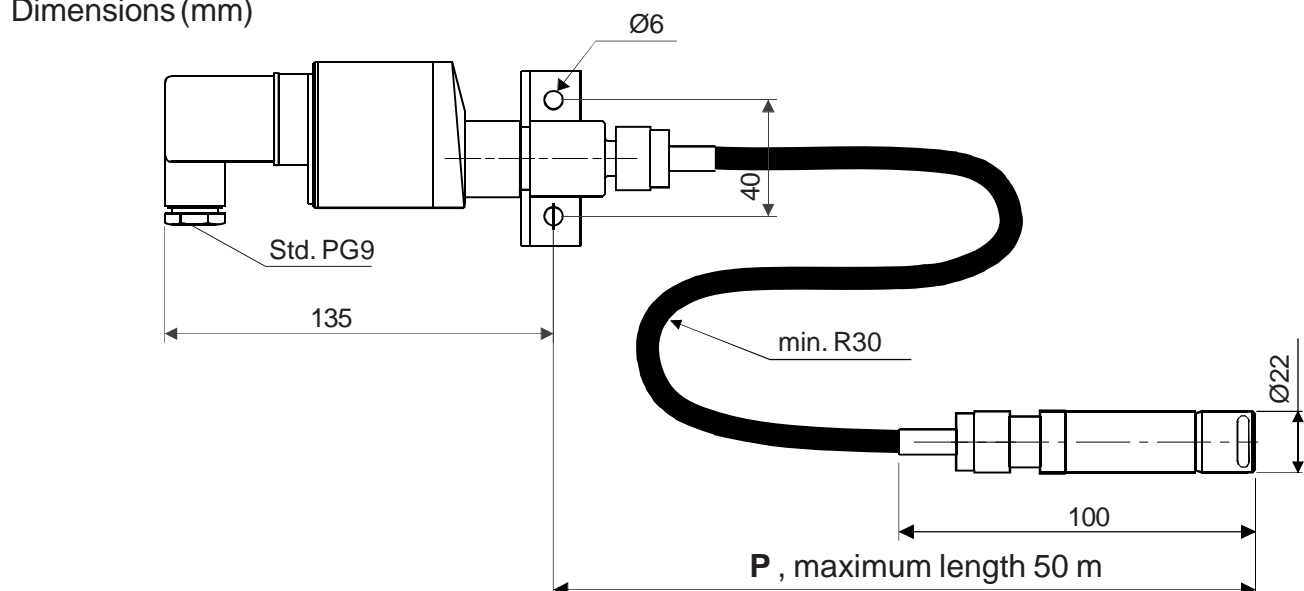
The enclosure with plastic window and the plastic DIN43650 connector must not be installed in potentially explosive atmosphere requiring category 1 apparatus.

The non-conducting surface of the sensor element may be charged by the flow of non-conducting media, so there may be electrostatic hazard with IIC-gases. These units should be marked 2 GD.

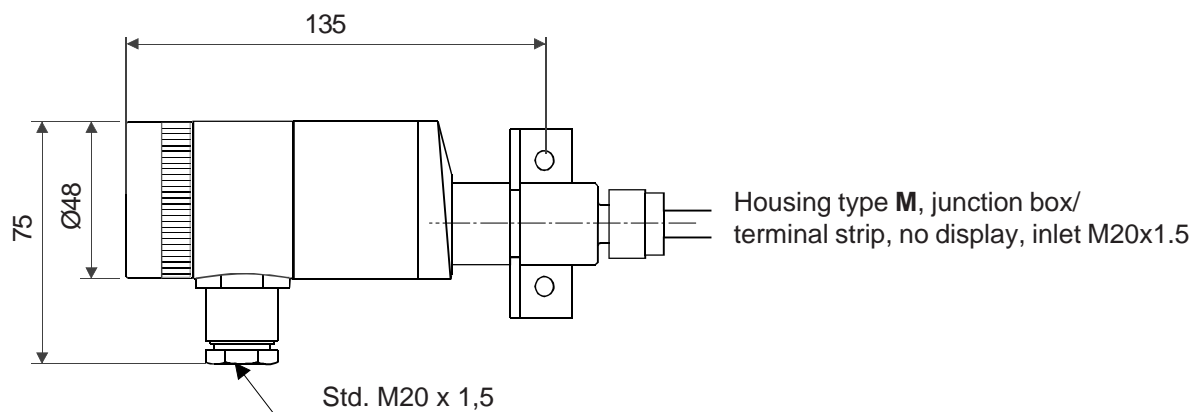
The equipment shall be installed and connected according to the manufacturers instructions.

SATRON VVF_e Pressure Transmitter

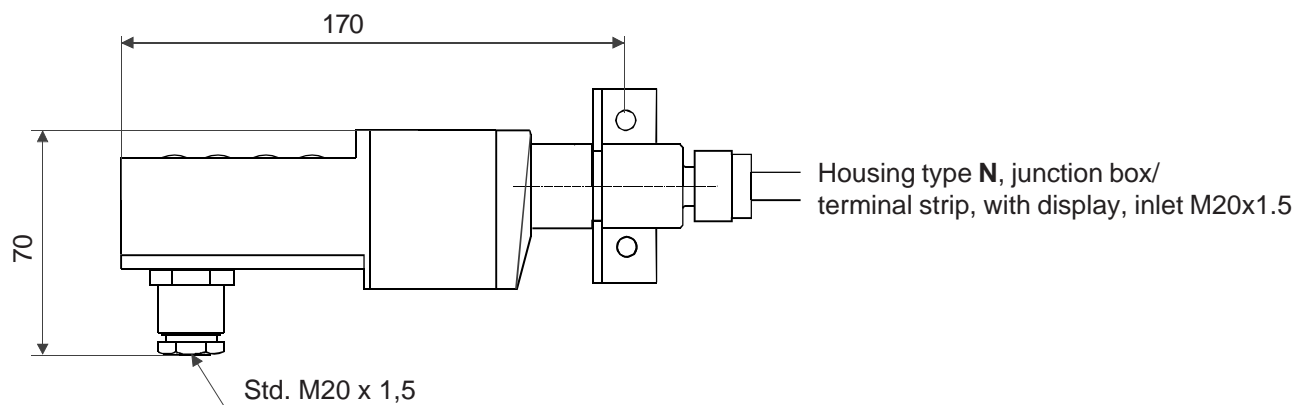
Dimensions (mm)



Housing type **H**, plug connector,
DIN43650, no display, inlet PG9

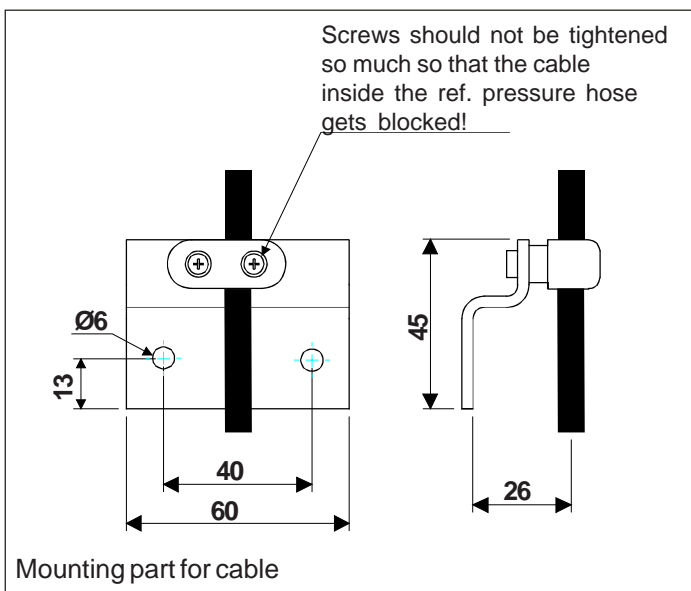
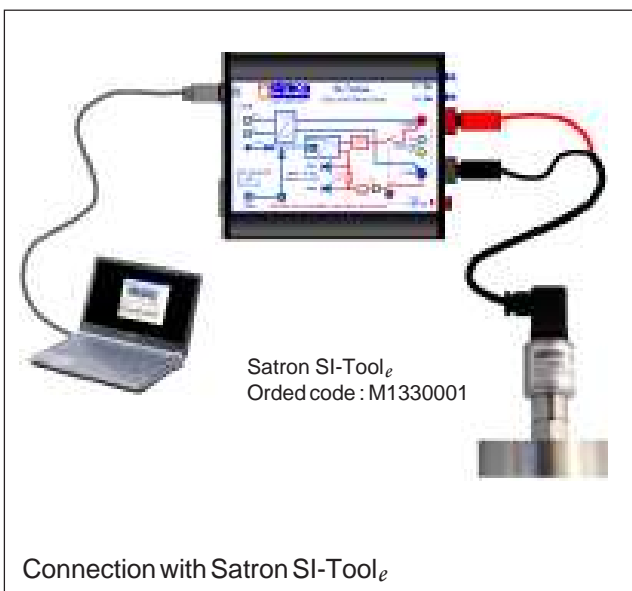
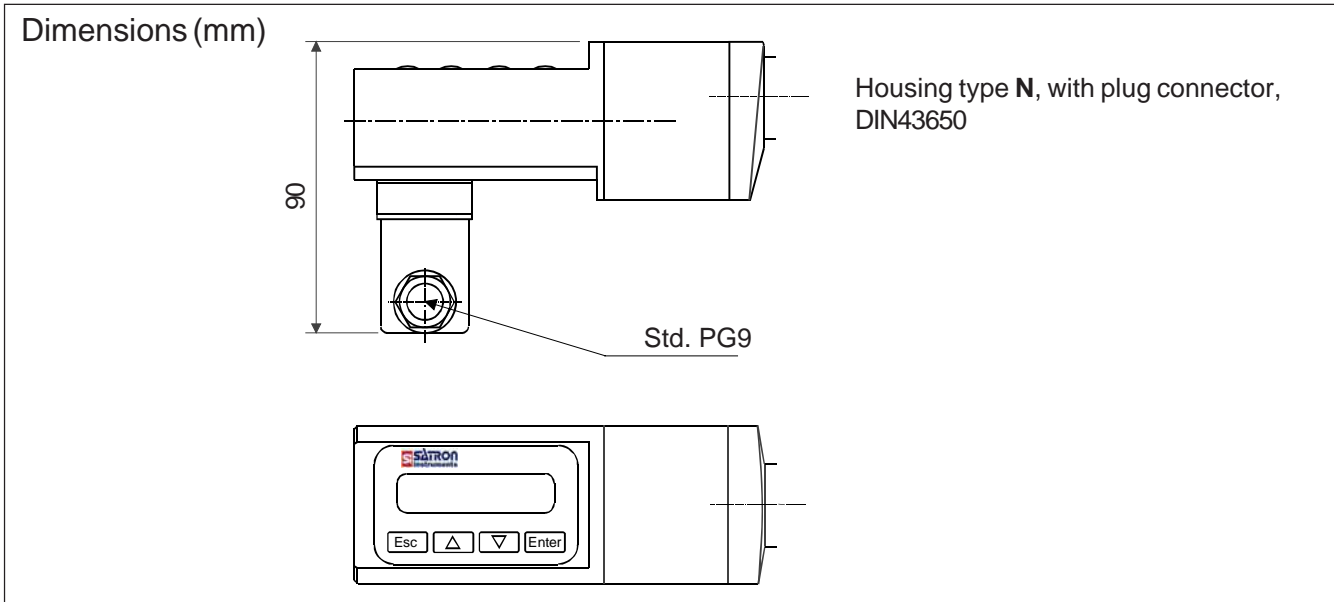


Housing type **M**, junction box/
terminal strip, no display, inlet M20x1.5

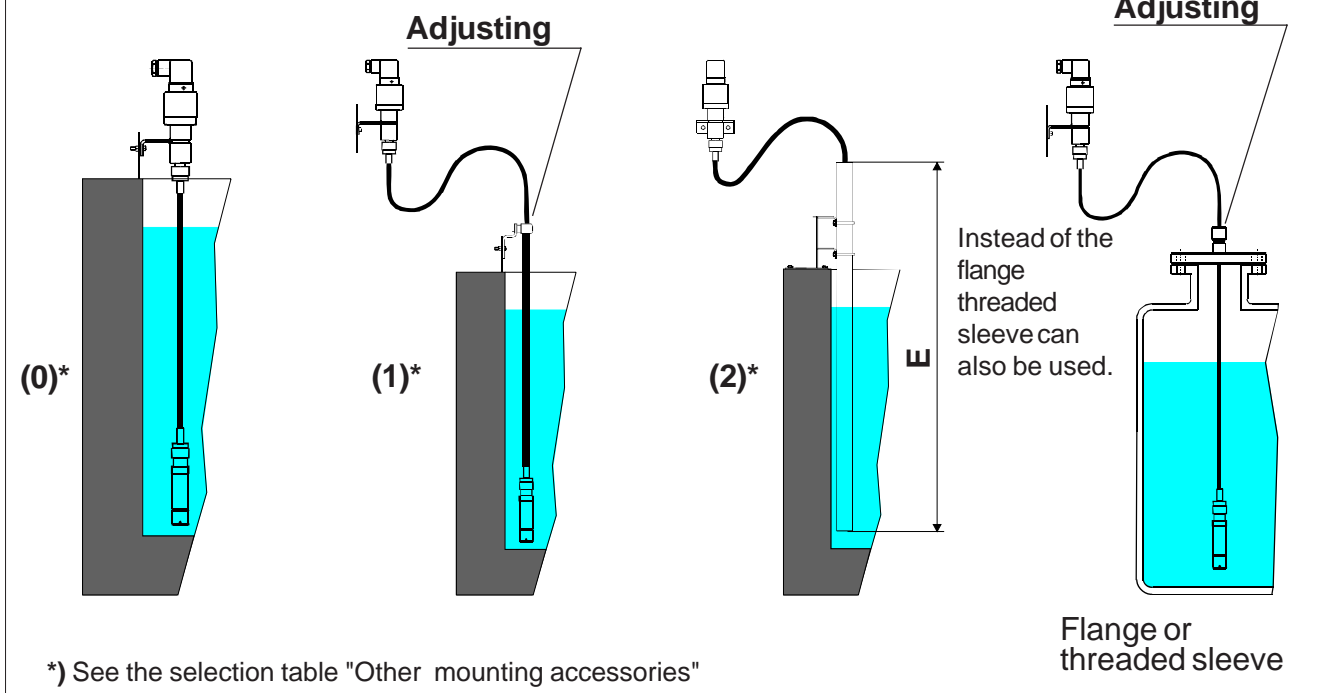


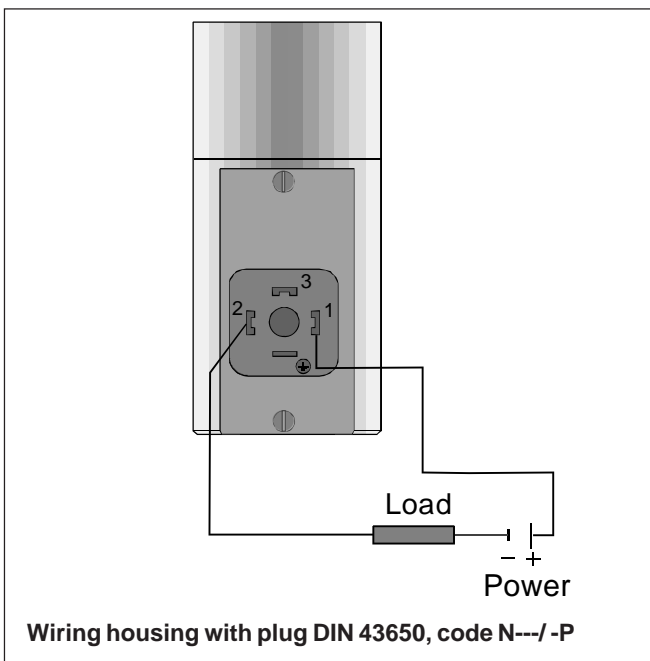
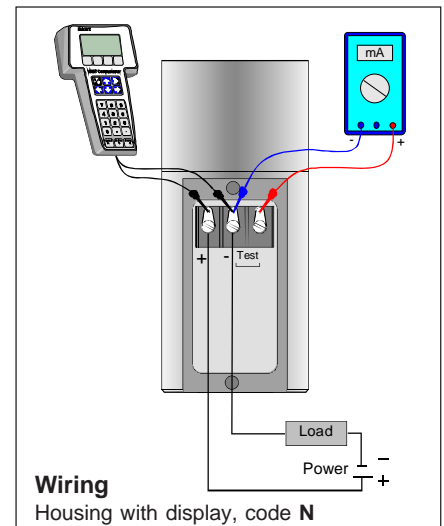
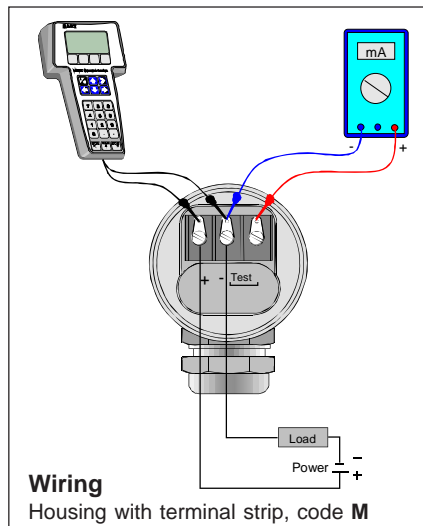
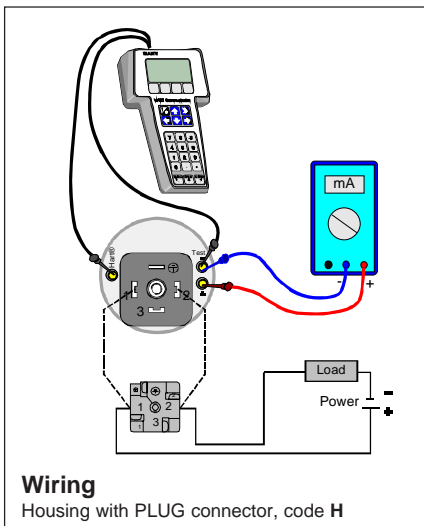
Housing type **N**, junction box/
terminal strip, with display, inlet M20x1.5

SATRON VVF_e Pressure Transmitter



Installation methods





Housing with display, code N

Keyboard :



- Esc = Press **Esc** move back towards the top of the main menu.
- ▲ = Use the **UP** arrow key to move up on the current menu level or to increase the selected parameter value.
- ▼ = Use the **DOWN** arrow key to move down on the current menu level or to decrease the selected parameter value.
- Enter = Press **ENTER** to move to a lower level in a menu or to accept a command or parameter value.

SATRON VVF_e Pressure Transmitter

BLV811

1.5.2014

Selection Chart

Adjustability	Span, min.	Span, max.	Measuring range					
VVF _e 4	4kPa (40 mbar)	100 kPa (1000 mbar)	-100...+100 kPa (-1000...1000 mbar)					
VVF _e 5	10 kPa (100 mbar)	500 kPa (5000 mbar)	-100...+500 kPa (-1000...5000 mbar)					
Output		S 4-20mA DC/HART® -protocol						
Flange or thread sleeve	0	no flange or thread	DB	DN50 PN40	DC	DN80 PN40	AC	ANSI 2" 150lbs
	AD	ANSI 2" 300 lbs	AE	ANSI 3" 150 lbs	AF	ANSI 3" 300lbs	GA	G1A, male
	GB	G1½A, male	GC	G2A, male	NA	1½ - NPT, male	NB	2 - NPT, male
Wetted materials	Flange or thread sleeve		Diaphragm		Extension			
	Code	Material	Code	Material	Material			
	2	AISI316L (EN 1.4404)	2	AISI316L (EN 1.4435)	AISI316/PUR			
Fill fluid		S	Silicone oil	G	Inert oil			
Housing type								
H	Housing with PLUG-connector, DIN43650, no display, inlet PG9							
M	Housing with junction box/terminal strip, no display, inlet M20x1,5							
N	Housing with junction box/terminal strip, with display, inlet M20x1,5							
Explosion proof		0	No explosion proof classification		1	Atex Intrinsic Safety,  II 2 GD T135°C		
Length P of PTFE/AISI316 hose between sensing element and housing								
P10 1.0 m hose								
P25 2.5 m hose								
...								
P500 50.0 m hose								
Length E of mounting/protective tube								
E10 1.0 m hose								
E15 1.5 m hose								
...								
E55 5.5 m hose								
								
Other mounting accessories		0	No separate fastening parts					
		1	Separate fastening part for cable, adjustable					
		2	Mounting bracket and protective tube					
Special size of electrical inlet								
N	1/2 NPT	G	Pg13.5	P	Plug DIN 43650			
Documentation								
Calibration Certificate		AE English						
Installation and Operating Instructions		IE English		IF Finnish				
Material Certificates								
0 No material certificate								
MC1 Raw materials certificate without appendices, in accordance with SFS-EN 10204-2.1 (DIN 50049-2.1) standard								
MC2 Raw materials certificate for wetted parts with appendices, in accordance with SFS-EN 10204-2.2 (DIN 50049-2.2) standard								
MC3 Raw materials certificate for wetted parts with appendices, in accordance with SFS-EN 10204-3.1B (DIN 50049-3.1B) standard								

We reserve the right for technical modifications without prior notice.
HART® is a registered trademark of HART Communication Foundation.
Hastelloy® is the registered trademark of Haynes International.
Teflon® is the registered trademark of E.I. du Pont de Nemours & Co.
Viton® is the registered trademark of DuPont Dow Elastomers.



SATRON VL Pressure Transmitter

SATRON VL pressure transmitter belongs to the V transmitter family. The series V transmitters have both analog and smart properties. SATRON VL is used for 0-1.4 kPa...0-15 MPa ranges. It is a 2-wire transmitter with HART® standard communication. In pressure measuring applications SATRON VL transmitters are used for measuring the pressure of clean, sedimenting, crystallizing and sticking materials. The transmitter's sensor is piezoresistive. The rangeability is 100:1 for types VL6 - VL7. The versatile selection of diaphragm materials will meet the needs in most processes. Also the models with special accuracy are included to the series of VL transmitters.

TECHNICAL SPECIFICATIONS

Measuring range and span

See Selection Chart.

Zero and Span adjustment

Zero elevation: Calibrated span is freely selectable on the specified range depending from the desired option. This can be made by using external control shafts (analog option), keyboard (display option), HART®275/375 communicator.

Damping

Time constant is continuously adjustable 0.01 to 60 s.

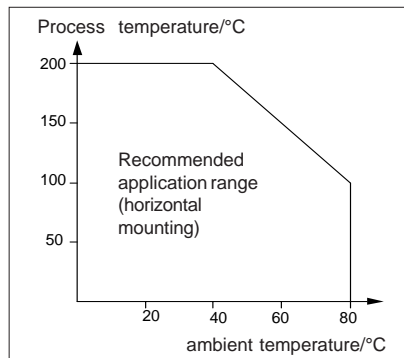
Temperature limits

Ambient: -30 to +80 °C

Process: -30 to +125 °C / +200 °C

Shipping and storage: -40 to +80 °C.

Operating temperature of display: 0 to +50°C (does not affect operation of the transmitter)



Output 2-wire (2W), 4-20 mA, user selectable for linear, square root, inverted signal or the transfer function (16 points) specified by the user

Supply voltage and permissible load

See the load capacity diagram;

4-20 mA output: 12-35 VDC.

Humidity limits

0-100 % RH; freezing of condensed water is not allowed in reference pressure channels.

Pressure limits

Minimum and maximum process pressure: see the appended tables.

¹⁾ Parts in contact with process medium.

PERFORMANCE SPECIFICATIONS

Tested in accordance with IEC 60770:

Reference conditions, specified span, no range elevation, horizontal mounting; AISI316L diaphragm, silicone oil fill

Accuracy

±0.05 % of calibrated span
(For spans 1:1-5:1).

For spans 5:1-100:1,

$\pm[0.025+0.01 \times (\frac{\text{max. span}}{\text{calibrated span}})]\%$ of calibrated span

Special accurate diaphragm **AISI304**:

±1.5 % of calibrated span
(For spans 1:1-100:1).

(incl. nonlinearity, hysteresis and repeatability)

Long-term stability

• ±0.1 % of max. span / 1 year

Temperature effect on -30 °C to +80 °C range, optional

Zero and span error

• ±0.15 % of max. span, code **E**
• ±0.5 % of max. span, code **G**

Temperature effect on +20 °C to +70 °C range, process connections BA and DA

Zero and span error

• ±0.08 % of max. span, code **S**

Temperature effect on 0 to +200 °C, code H

• ±1 % of max. span
• Process connection **PA** (VL4 and 5):
±2 % of max. span

Mounting position effect

Deviation from horizontal position causes a zero shift that can be calibrated out.

Pressure limits

Pressure capacity

Transmitter type	Max. overload pressure, MPa	Pressure class, max.
VL3	0.2	PN40
VL4	0.3	PN40
VL5	1.5	PN40
VL6	7.5	PN100
VL7	40.0	PN250



Vibration effect (IEC 68-2-6: FC):
±0.1 % of span per 2 g to 10-2000 Hz.

Power supply effect

<±0.01 % of calibrated span per volt.

Insulation test voltage

500 V rms 50 Hz.

CONSTRUCTION AND CALIBRATION

Materials

Diaphragm ¹⁾: AISI316L (EN 1.4435), AISI304 (EN 1.4301), Duplex (EN 1.4462), Hast. C 276 (EN 2.4819), Tantalum or Titanium Gr2 (EN 3.7035). Other sensing element materials: AISI316L, AISI316.

Fill fluid Silicone oil, inert oil or Food oil (Neobee M20).

Housing with PLUG connector, codes H and T

Housing: AISI303/316

Seals: Viton® and NBR

TEST jacks: MS358Sn/PVDF, protected with silicone rubber shield.

PLUG connector: PA6-GF30 jacket, Silicone rubber seal, AISI316 retaining screw.

Housing with junction box/terminal strip, codes M and N

Housing: AISI303/316; Seals: Nitrile and Viton®; Nameplates: Polyester

Connection cable between sensing element and housing

Codes **L** and **K**:

PTFE hose with AISI316 braiding.

Calibration

For customer-specified range with 1 s. damping. (If range is not specified, transmitter is calibrated for maximum range.)

Enclosure class: IP66.

Minimum process pressure:

T _{proc.} °C	Min. pressure for different fill fluids (kPa, abs.)	
	DC200 100 cSt	Inert oil
20	5	8
40	8	10
80	10	28
120	15	53
160	25	90
200	40	-

SATRON VL Pressure Transmitter

BLV820
13.02.2017

Process connections

See Selection Table and dimensional drawings.

Electrical connections

Housing with PLUG connector, codes **H** and **T**: PLUG connector, connector type DIN 43650 model AF; Pg9 gland for cable; wire cross-section 0.5 to 1.5 mm².

Housing with junction box/terminal strip, codes **M** and **N**: Pg13.5, 1/2-NPT inlet; screw terminals for 0.5 to 2.5 mm² wires.

Weight

MOUNTING TYPE		Weight / kg			
		EXTENSION CODE			
		0	2	4	6
Flange	DN50	4.1	4.7	4.9	5.1
	DN80	6.4	7.6	7.7	8.1
SA (Sandvik)		-	3.8	5.0	6.1
Tx (Tri-Clamp)		0.9	-	-	-
PA (PMC 1")		0.6	-	-	-
BA, VA, WA		0,9	-	-	-
UA, VB, WB		1.0	-	-	-

Type M : add 0.5 kg
and type N : add 0.6 kg to the specified weights.

Product Certifications

European Directive Information

Electro Magnetic Compatibility (EMC directive 2004/108/EC)

All pressure transmitters

Atex Directive (94/9/EC)

Satron Instruments Inc. complies with the ATEX Directive.

European Pressure Equipment Directive (PED) (97/23/EC)


All Pressure Transmitters :
- Sound Engineering Practice


Hazardous Locations Certifications

European Certifications

ATEX Intrinsic Safety

Certification No. : DNV-2007-OSL-
ATEX- 1346X

 II 1 GD T135°C EEx ia II C T4 -
20°C ≤ Tamb ≤ 50°C

 II 2 GD T135°C EEx ia II C T4 -
20°C ≤ Tamb ≤ 50°C

Input Parameters :

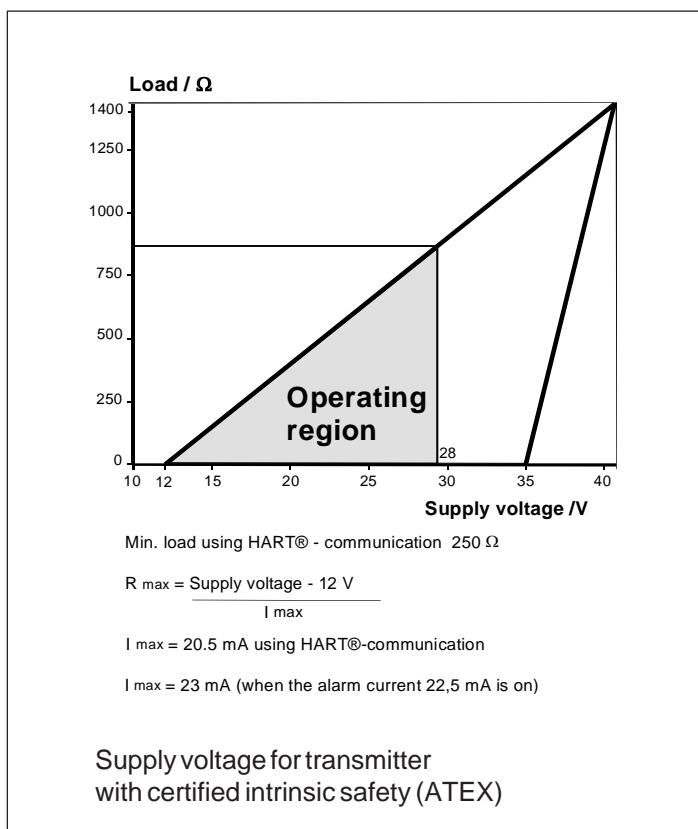
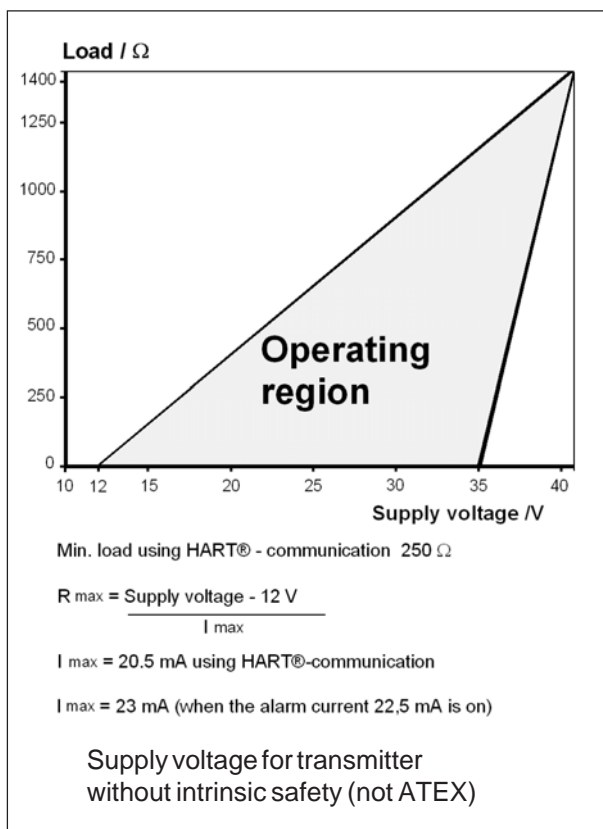
U_i = 28 V
I_i = 93 mA
P_i = 0.651 W
C_i = 5 nF
L_i = 0.2 mH

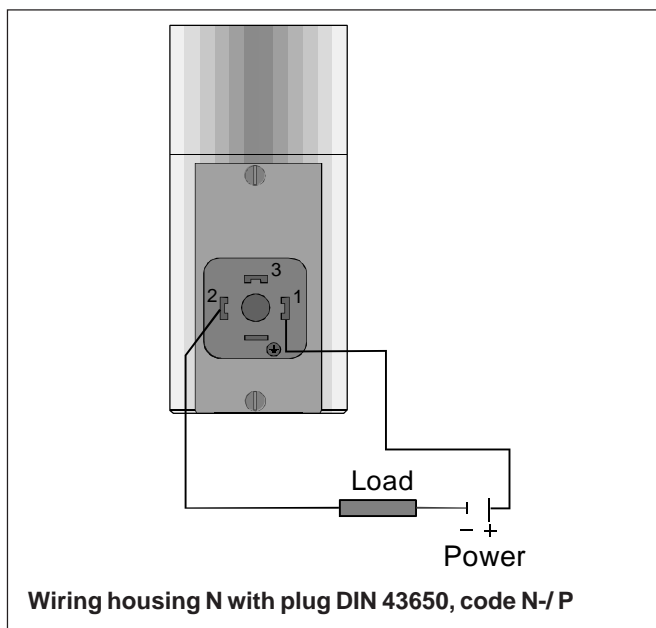
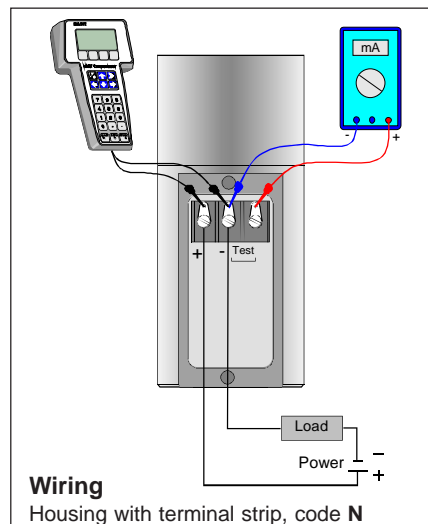
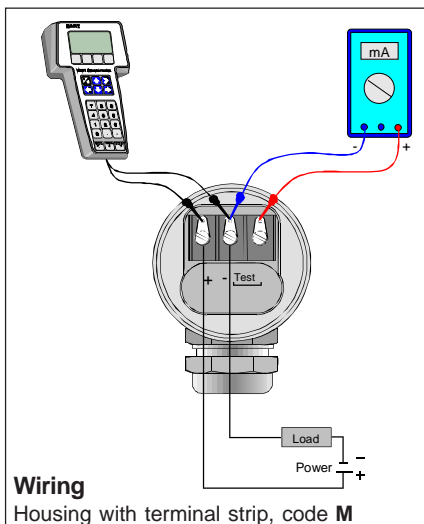
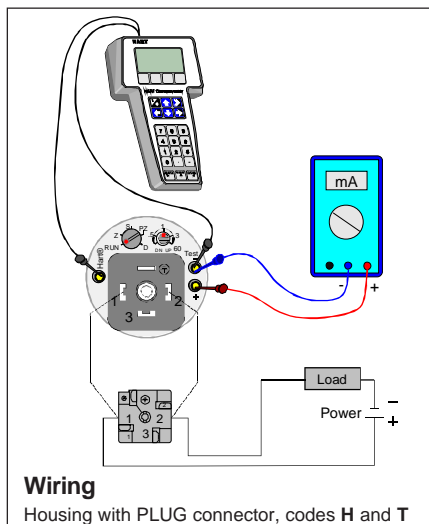
Special Conditions for Safe Use (X) :

The enclosure with plastic window and the plastic DIN43650 connector must not be installed in potentially explosive atmosphere requiring category 1 apparatus.

The non-conducting surface of the sensor element may be charged by the flow of non-conducting media, so there may be electrostatic hazard with IIC-gases. These units should be marked 2 GD.

The equipment shall be installed and connected according to the manufacturers instructions.

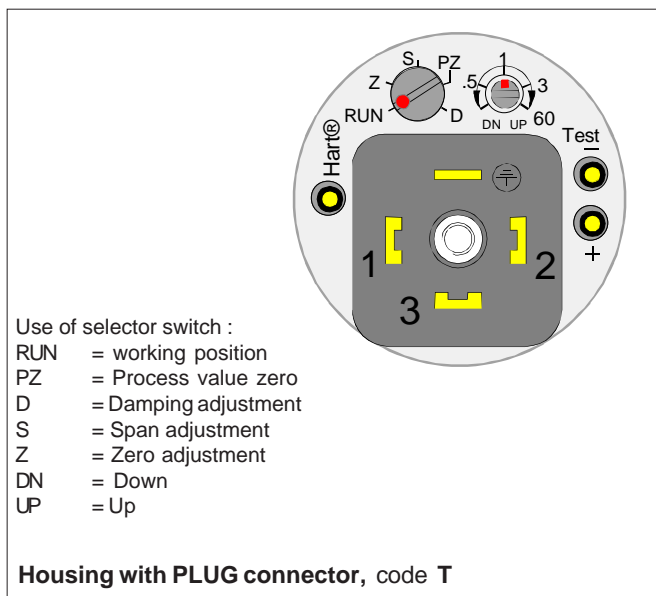




Keyboard :

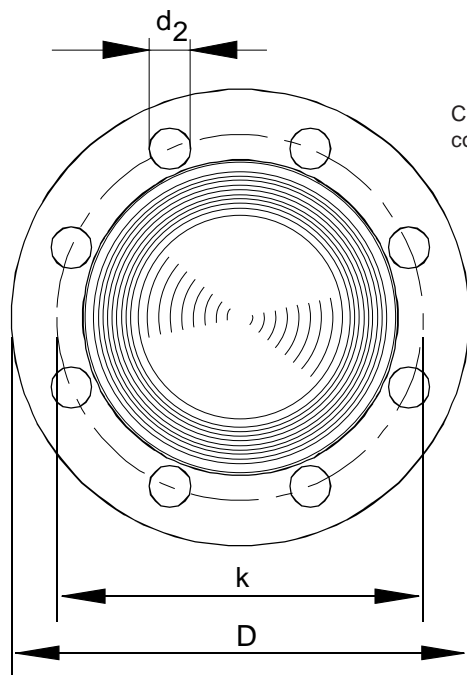
- Esc = Press **Esc** move back towards the top of the main menu.
- ▲ = Use the **UP** arrow key to move up on the current menu level or to increase the selected parameter value.
- ▼ = Use the **DOWN** arrow key to move down on the current menu level or to decrease the selected parameter value.
- Enter = Press **ENTER** to move to a lower level in a menu or to accept a command or parameter value.

Housing with display, code N



SATRON VL Pressure Transmitter

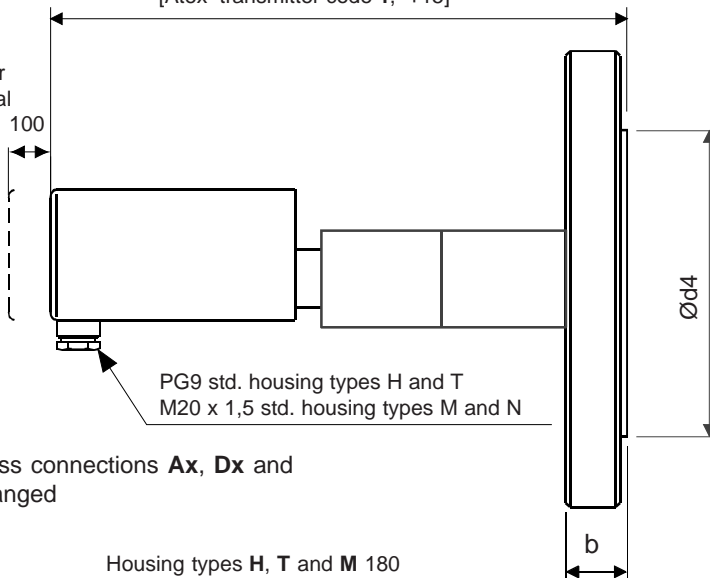
Dimensional drawings (dimensions in mm)



Housing types H, T and M 235

Housing type N 265

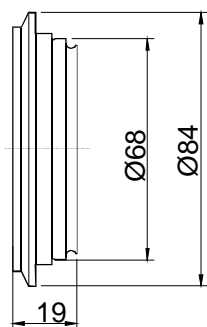
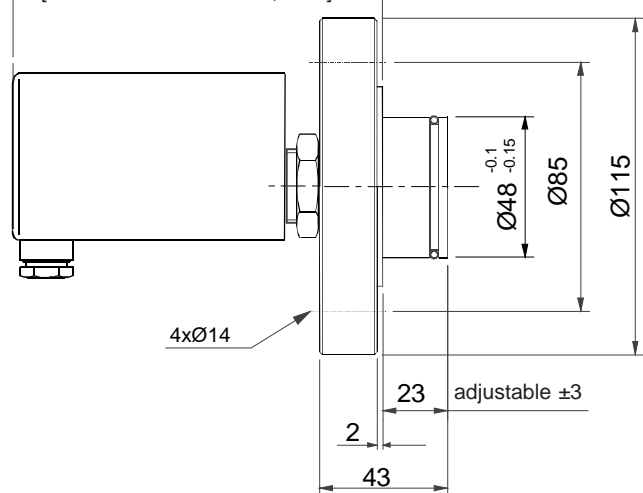
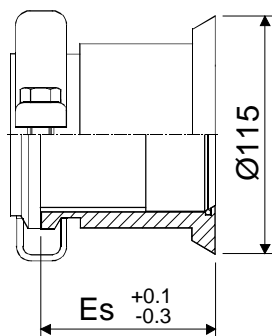
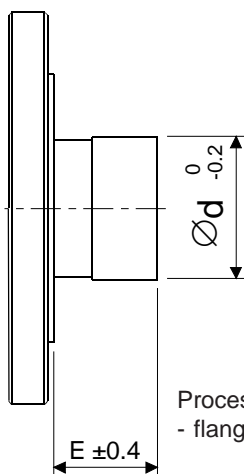
[Atex transmitter code 1, +15]

Clearance for
cover removalPG9 std. housing types H and T
M20 x 1,5 std. housing types M and NProcess connections Ax, Dx and
Jx, flanged

Housing types H, T and M 180

Housing type N 215

[Atex transmitter code 1, +15]

Process connection UA
- Tuchenhagen DN50/40
(Varient)Process connection SA
- Sandvik-clampProcess connection Ax, Dx and Jx
- flange with extensionProcess connections DA, DN25 PN40 flange with
extension, process temperature max. +125°C

FLANGE SIZE	Flange dimens.			Holes			Exten. Ød -0.2
	b	D	Ød ₄	Kpl	d ₂	k	
ISO DN25 PN40	18	115	68	4	14	85	48
ISO DN50 PN40	20	165	102	4	18	125	51
ISO DN80 PN40	24	200	138	8	18	160	73
ISO DN100 PN40	24	235	162	8	22	190	73
ANSI 1" 150 lbs	15	108	51	4	16	79.4	-
ANSI 1" 300 lbs	18	124	51	4	20	88.9	-
ANSI 2" 150 lbs	23	152	92	4	20	120.6	51
ANSI 2" 300 lbs	25	165	92	8	20	127	51
ANSI 3" 150 lbs	26	191	127	4	20	152.4	73
ANSI 3" 300 lbs	31	210	127	8	23	168.3	73
ANSI 4" 150 lbs	26	229	157	8	20	190.5	73
ANSI 4" 300 lbs	34	254	157	8	23	200	73
JIS 10K-50	16	155	96	4	19	120	51
JIS 40K-50	26	165	105	8	19	130	51
JIS 10K-80	18	185	126	8	19	150	73
JIS 40K-80	32	210	140	8	23	170	73
JIS 10K-100	18	210	151	8	19	175	73
JIS 40K-100	36	250	165	8	25	205	73

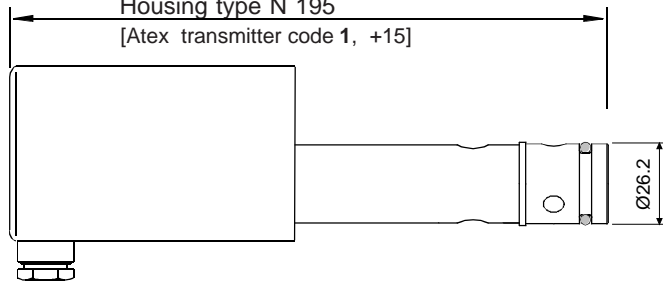
Code	E +0.4 -0.4	Es +0.3 -0.2
0	0	-
2	51	54,5
4	102	105
6	152	156

SATRON VL Pressure Transmitter

Dimensional drawings (dimensions in mm)

Housing types H, T and M 165
Housing type N 195

[Atex transmitter code 1, +15]

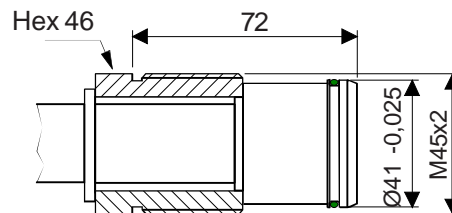
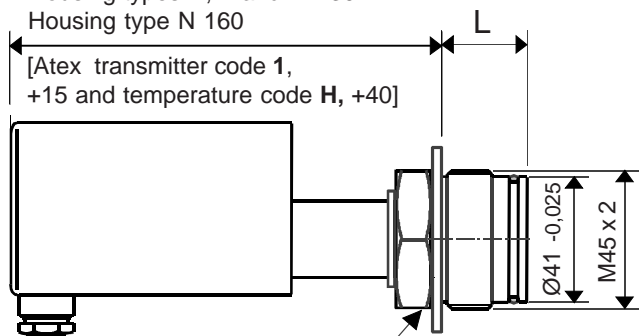


Process connection PA
- PMC 1"

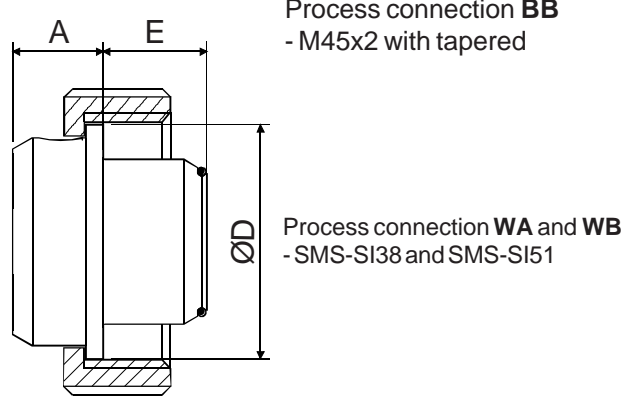
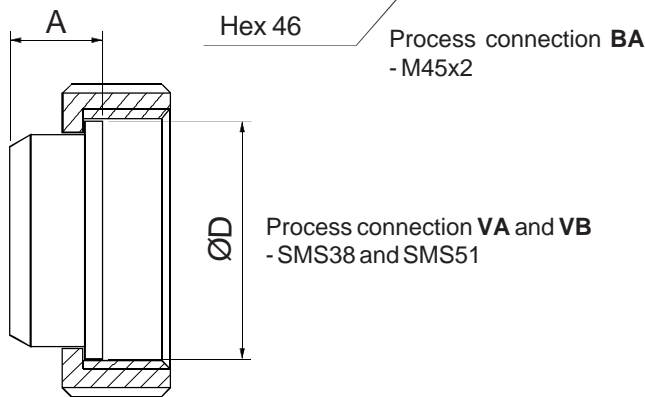
BA - extension code	L
0	28,5
2	51
3	72
4	102

Housing types H, T and M 130
Housing type N 160

[Atex transmitter code 1, +15 and temperature code H, +40]

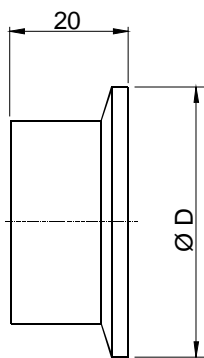


Process connection BB
- M45x2 with tapered



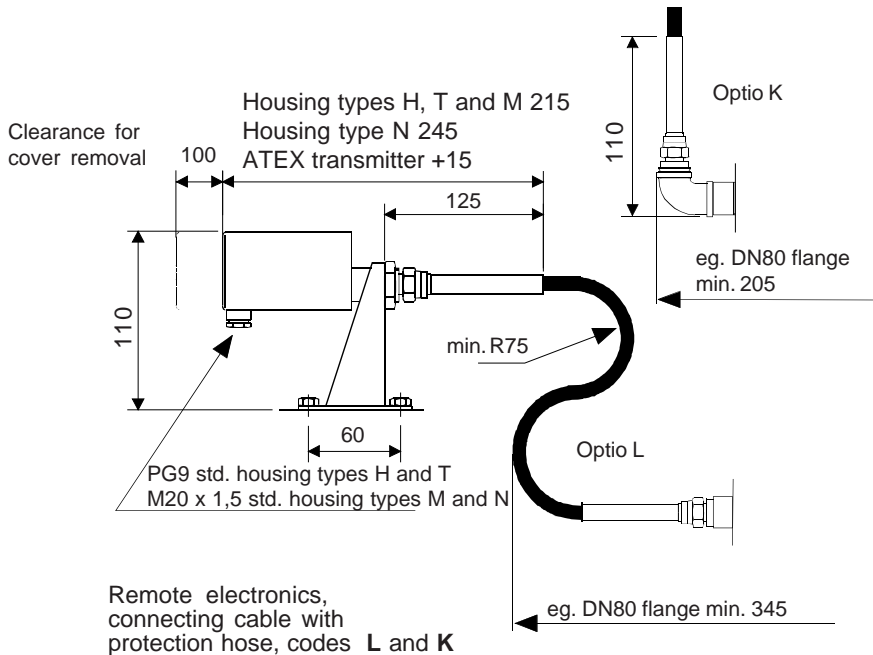
Size	Dimensions		Thread
	ØD	A	
38	54	21	Rd 60 x 1/6
51	64	23	Rd 70 x 1/6

Size	Dimensions			Thread
	ØD	A	E	
SI38	54	21	24	Rd 60 x 1/6
SI51	64	23	27	Rd 70 x 1/6



Process connection TA, TB and TC
- Tri-clamp DN38 ... 63.5

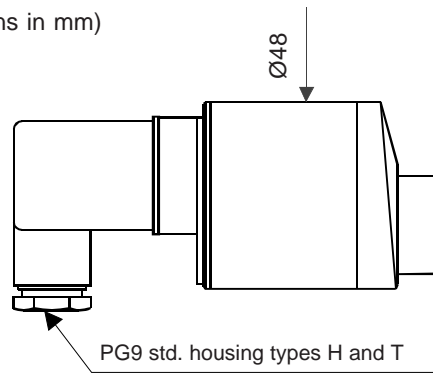
DN	ØD
38	50,5
51	64
63,5	77,5



Remote electronics,
connecting cable with
protection hose, codes L and K

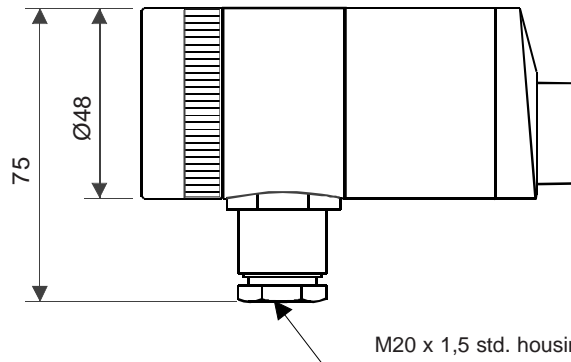
SATRON VL Pressure Transmitter

Dimensional drawings (dimensions in mm)



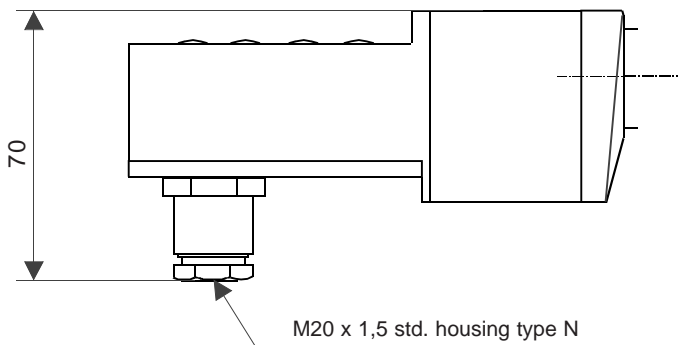
Housing with plug-connector, DIN 43650, codes H and T

PG9 std. housing types H and T



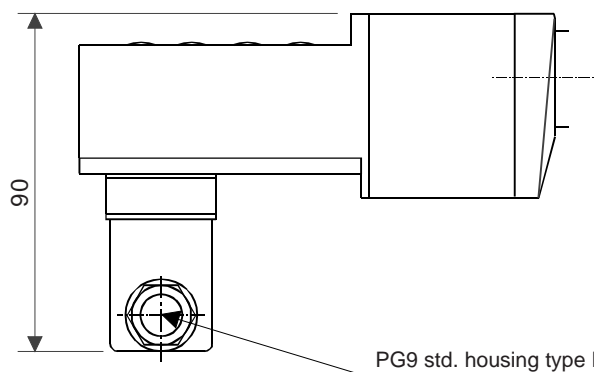
Housing with junction box/terminal strip, code M

M20 x 1,5 std. housing type M



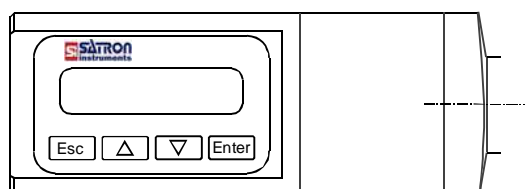
Housing with junction box/terminal strip, with display, code N

M20 x 1,5 std. housing type N



Housing with junction box/terminal strip, with display and plug-connector DIN 43650, code N- / P

PG9 std. housing type N with plug DIN 43650



SATRON VL Pressure Transmitter

Selection Chart

Adjustability (±)	Span, min.	Span, max.	Measuring range
VL3	1.4kPa (14 mbar)	35 kPa (350 mbar)	-35...+35 kPa (-350...350 mbar)
VL4	4kPa (40 mbar)	100 kPa (1000 mbar)	-100...+100 kPa (-1000...1000 mbar)
VL5	10 kPa (100 mbar)	500 kPa (5000 mbar)	-100...+500 kPa (-1000...5000 mbar)
VLA5	10 kPa (100 mbar)	500 kPa (5000 mbar)	-100...+500 kPa (-1000...5000 mbar), abs.
VL6	0,03 MPa (0,3 bar)	3 MPa (30 bar)	-0.1...+3 MPa (-1...30 bar)
VLA6	0,03 MPa (0,3 bar)	3 MPa (30 bar)	0...+3 MPa (0...30 bar), abs.
VL7	1 MPa (10 bar)	15 MPa (150 bar)	0...+15 MPa (0...150 bar), abs.


Output	S 4-20mA DC/HART® -protocol		
Process connections			
DA	DN25 PN40 ISO 2084-1974	AA ANSI 1" 150 lbs ANSI B16-5	TC Tri-clamp DN63.5 PN40 ISO 2852
DB	DN50 PN40 ISO 2084-1974	AB ANSI 1" 300 lbs ANSI B16-5	UA Tuchenhagen DN50/40 (Varivent) PN40
DC	DN80 PN40 ISO 2084-1974	AC ANSI 2" 150 lbs ANSI B16-5	PA PMC 1" PN40
DD	DN100 PN40 ISO 2084-1974	AD ANSI 2" 300 lbs ANSI B16-5	SA Sandvik DN70 PN64
JA	JIS 10K 50 JIS B 2220	AE ANSI 3" 150 lbs ANSI B16-5	VA SMS 38
JB	JIS 40K 50 JIS B 2220	AF ANSI 3" 300 lbs ANSI B16-5	VB SMS 51
JC	JIS 10K 80 JIS B 2220	AG ANSI 4" 150 lbs ANSI B16-5	WA SMS-SI 38 with 24 mm extension
JD	JIS 40K 80 JIS B 2220	AH ANSI 4" 300 lbs ANSI B16-5	WB SMS-SI 51 with 27 mm extension
JE	JIS 10K 100 JIS B 2220	TA Tri-clamp DN38 PN40 ISO 2852	BA M45x2 PN160
JF	JIS 40K 100 JIS B 2220	TB Tri-clamp DN51 PN40 ISO 2852	BB M45x2 PN160 with 72mm extension

Extension length (mm)	(Flanged conn.)	(Sandvik-conn.)	
0	0	-	(not proc. conn. SA)
1	23	-	(only proc. conn. DA, DN25 PN40, max. +125°C)
2	51	54.5	(not proc. conn. BB, DA, PA, Tx, UA, Vx and Wx)
3	72	-	(only proc. conn. BA, in the Pasve BA mounting)
4	102	105	(not proc. conn. BB, DA, PA, Tx, UA, Vx and Wx)
6	152	156	(not proc. conn. BB, DA, PA, Tx, UA, Vx and Wx)

Wetted materials		Diaphragm		Extension or other wetted parts	
Code	Material	Code	Material	Code	Material
1	Nickel (*)	5	Tantalum	2	AISI316L
2	AISI316L	6	Titanium Gr2 (*)	3	Hast.C 276
3	Hast.C 276	8	Duplex (**)	8	Duplex (EN1.4462)
		A	AISI304		

Fill fluid	S	G	A
	Silicon oil	Inert oil	Food and beverage special oil (Neobee M20)

Housing type	
H	Housing with PLUG-connector, DIN43650, no display, inlet PG9
T	Housing with PLUG-connector with manual adjust, DIN43650, no display, inlet PG9, (no ATEX)
M	Housing with junction box/terminal strip, no display, inlet M20x1,5
N	Housing with junction box/terminal strip, with display, inlet M20x1,5

Explosion proof	0	1
	No explosion proof classification	Atex Intrinsic Safety,  II 1 GD T135°C (***)

Temperature effect on -30°C to +80°C range, % per max. span	
G	±0,5%
E	±0,15%

Temperature effect on +20°C to +70°C range, % per max. span	
S	±0.08% (only process connections BA and DA)

Temperature effect on 0°C to +200°C range, % per max. span	
H	±1% (not possible process connections DA1, TA, TB and TC)

Process coupling (for types SA, Tx, PA and BA)	Material
0	No coupling
A	With coupling
	2 AISI316L
	3 Hast.C276
	8 Duplex (1.4462)

Special size of electrical inlet		
N	1/2 NPT	G Pg13.5
P	Plug DIN 43650	

Special features

Special electronics (specify only if housing connected with hose to sensing element)

- connecting cable with protection hose

L Hose protected with PTFE/AISI316 braiding, straight

K Hose protected with PTFE/AISI316 braiding, angle of 90°

Length of cable between sensing element and housing
(specify only if housing connected with cable to sensing element)

2 2 m cable 3 3 m cable etc. (max. 10 m)

Mounting parts for remote electronics for Ø51 mm tube

0 No mounting parts 1 Mounting parts

Documentation

Calibration Certificate AE English

Installation and Operating Instructions IE English IF Finnish

Material Certificates

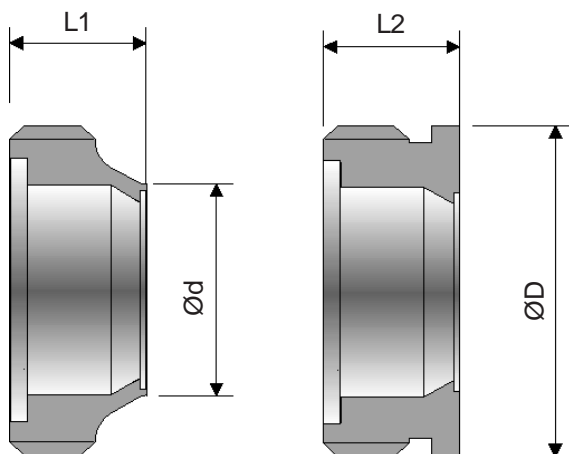
0 No material certificate

MC1 Raw materials certificate without appendices, in accordance with SFS-EN 10204-2.1 (DIN 50049-2.1) standard

MC2 Raw materials certificate for wetted parts with appendices, in accordance with SFS-EN 10204-2.2 (DIN 50049-2.2) standard

MC3 Raw materials certificate for wetted parts with appendices, in accordance with SFS-EN 10204-3.1B (DIN 50049-3.1B) standard

SMS-SI couplings :

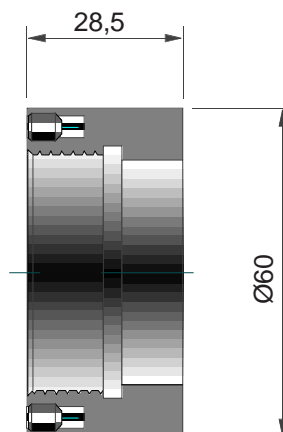


for pipe

for vessel

Size	Dimensions				Thread
	L1	Ød	L2	ØD	
38	27	38,5	24	60	Rd 60 x 1/6
51	30	51	25	70	Rd 70 x 1/6

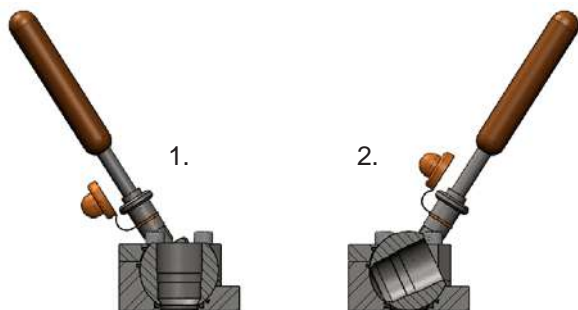
Coupling M45x2 with adjust, for process connection BA, order code M1050459



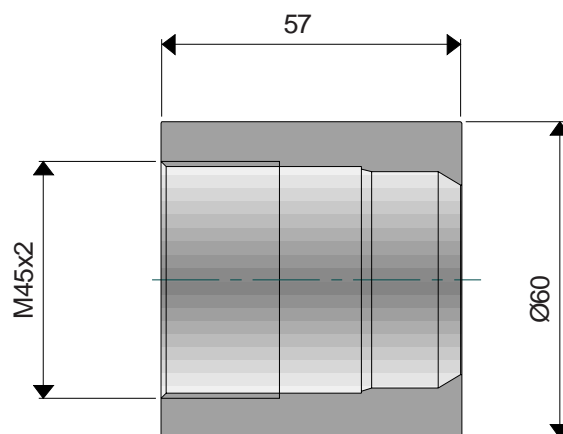
Pasve BA working position:


For process connections BA3 and BB

1. Transmitter in measuring
2. Transmitter can be checked, changed, calibrated or the transmitter diaphragm can be flushed



Coupling BB M45x2, for process connection BB, order code M1050474 (Welding assistant, code M1050473)



- (*) = only with flange
 (***) = not for range 3 with process connection code PA
 (***) = Housing H and N :  II 2 GD T135°C
 ATEX transmitters with display are the model without membrane key.



Satron Instruments Inc., P.O.Box 22, FI-33901 Tampere, Finland
 Tel. +358 207 464 800, Telefax +358 207 464 801, www.satron.com

We reserve the right for technical modifications without prior notice.
 HART® is a registered trademark of HART Communication Foundation.
 Viton® is the registered trademark of DuPont Down Elastomers.
 Hastelloy® is the registered trademark of Haynes International.
 Teflon® is the registered trademark of E.I. du Pont de Nemours & Co



SATRON VDtL Differential Pressure Transmitter

SATRON VDtL differential pressure transmitter belongs to V-transmitter family. The series V transmitters have both analog and smart properties. SATRON VDtL is used for 1.4 kPa...3 MPa ranges. It is a 2-wire transmitter with HART® standard communication. In pressure measuring applications SATRON VDtL transmitters are used for liquid level, pipeline pressure and density measurements. SATRON VDtL transmitter is equipped with an SOS (Silicon On Sapphire) sensing element. The rangeability is 25:1.

TECHNICAL SPECIFICATIONS

Measuring range and span

See Selection Chart.

Zero and Span adjustment

Zero elevation: Calibrated span is freely selectable on the specified range depending from the desired option. This can be made by using external control shafts (analog option), keyboard (display option), HART®275/375 communicator.

Damping

Time constant is continuously adjustable 0,01 to 60 s.

Temperature limits

Process temperature:
range **3**: +10 to +80 °C
ranges **4, 5** and **6**: -30 to +120 °C
Ambient temperature: -30 to +80 °C
Shipping and storage: -30 to +80 °C.
Operating temperature of display: 0 to +50°C (does not affect operation of the transmitter)

Pressure limits

Withstands 40 bar static pressure and unequal pressure load without damage to the transmitter. Pressure class: see Process Connections. See the following table for minimum pressure limits.

Minimum process pressure:

T _{proc} °C	Min. pressure for different fill fluids (kPa, abs.)	
	DC200 10 cSt	Inert oil
20	5.0	8.0
60	12.0	18.5
80	16.0	28.0
120	21.0	53.0

Volume of negative-side process chamber: 2.5 cm³.

Process chamber's volumetric displacement for maximum span:
< 0.1 cm³

Output 2-wire (2W), 4-20 mA, user selectable for linear, square root, inverted signal or the transfer function (16 points) specified by the user

Supply voltage and permissible load

See the load capacity diagram;
4-20 mA output: 12-35 VDC.

Humidity limits

0-100 % RH; freezing of condensed water not allowed in reference pressure channels.

PERFORMANCE SPECIFICATIONS

Tested in accordance with IEC 60770: Reference conditions, specified span, no range elevation, horizontal mounting; AISI316L diaphragm, silicone oil fill.

Accuracy

±0.05 % of calibrated span
(span 1:1-5:1 / max.range).
On the measuring ranges 5:1-25:1:

$$\pm[0.01+0.012 \times \left(\frac{\text{max.span}}{\text{calibrated span}}\right)] \% \text{ of calibrated span}$$

Special accurate diaphragm **AISI304**:
±1.5 % of calibrated span.
(For spans 1:1 - 25:1)

(incl. nonlinearity, hysteresis and repeatability)

Long-term stability

±0.1 %/max. span for 12 months

Temperature effect on compensated temperature range

Ambient: Zero and span shift: ±0.5 % of max. span.

Process: Zero error: ±0.5 % of max.span (ranges 4,5 and 6),
±1 mbar per 10 K or min. ±0.5 % of max.span (range 3)

Static pressure effect on Zero

- ±0.5 % of max.span per 4 MPa

Mounting position effect

Deviation from horizontal position causes a zero shift that can be calibrated out.

Power supply effect

< ±0.01 % of calibrated span per volt.

Insulation test voltage

500 V rms 50 Hz

CONSTRUCTION AND CALIBRATION

Materials

Diaphragms ¹⁾: AISI316L (EN 1.4435), AISI304 (EN 1.4301), Duplex (EN 1.4462), Hast. C276 (EN 2.4819), Nickel, Titanium Gr2 (EN 3.7035) or Tantalum.

Flanges ¹⁾ and vent valves ¹⁾: AISI316,



Duplex or Hast. C276.
O-ring on sensing element: PTFE.
Other sensing element materials: AISI316, SIS 2343, SIS 2324.
Mounting bolts and nuts for sensor flanges: AISI316 (PN420: m.8.8.Zne)

Fill fluid

Silicone oil (DC200, 10 cSt) or inert oil or food industry oil (Neobee M-20).

Housing with PLUG connector, codes H and T

Housing: AISI316
Seals: Viton® and NBR
TEST jacks: MS358Sn/PVDF, protected with silicone rubber shield.
PLUG connector: PA6-GF30 jacket, Silicone rubber seal, AISI316 retaining screw.

Housing with junction box/terminal strip, M and N

Housing: AISI303/316
Seals: Nitrile and Viton®
Nameplates: Polyester

Connection hose between sensing element and housing

(codes **L** and **K**):
PTFE hose with AISI316 braiding.

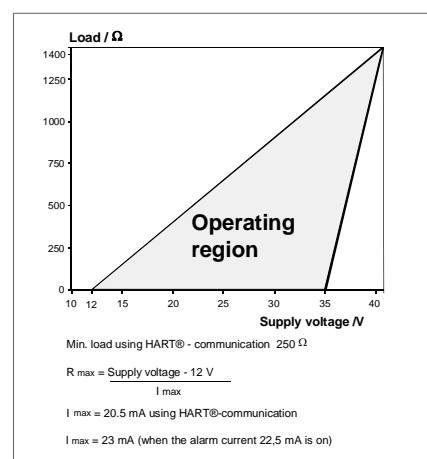
Calibration

For customer-specified range with 1s. damping. (If range is not specified, transmitter is calibrated for maximum range.)

Enclosure class: IP66.

Process connections

See Selection Table.
¹⁾ Parts in contact with process medium.



Electrical connections

Housing with PLUG connector, **H** and **T** :
PLUG connector, connector type DIN 43650 model AF; Pg9 gland for cable; wire cross-section 0.5 to 1.5 mm².

Housing with junction box/terminal strip, **M** and **N**:
Inlet M20x1.5, 1/2-NPT; screw terminals for 0.5 to 2.5 mm² wires

Product Certifications**European Directive Information****Electro Magnetic Compatibility (EMC directive 2004/108/EC)**

All differential pressure transmitters

Atex Directive (94/9/EC)

Satron Instruments Inc. complies with the ATEX Directive.

European Pressure Equipment Directive (PED) (97/23/EC)


All Differential Pressure Transmitters :
- Sound Engineering Practice

Hazardous Locations Certifications**European Certifications**

ATEX Intrinsic Safety

Certification No. : DNV-2007-OSL-ATEX- 1346X

 II 1 GD T135°C EEx ia II C T4 -20°C ≤ Tamb ≤ 50°C

 II 2 GD T135°C EEx ia II C T4 -20°C ≤ Tamb ≤ 50°C

Input Parameters :

$U_i = 28 \text{ V}$

$I_i = 93 \text{ mA}$

$P_i = 0.651 \text{ W}$

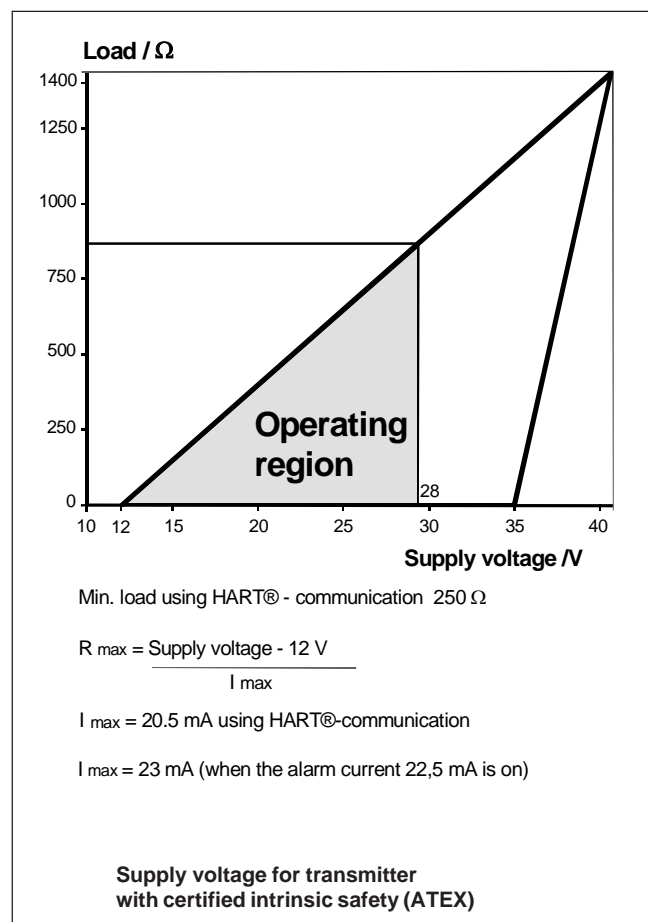
$C_i = 5 \text{ nF}$

$L_i = 0.2 \text{ mH}$

Special Conditions for Safe Use (X) :

The enclosure with plastic window and the plastic DIN43650 connector must not be installed in potentially explosive atmosphere requiring category 1 apparatus. The non-conducting surface of the sensor element may be charged by the flow of non-conducting media, so there may be electrostatic hazard with IIC-gases. These units should be marked 2 GD.

The equipment shall be installed and connected according to the manufacturers instructions.

**Weight (kg):**

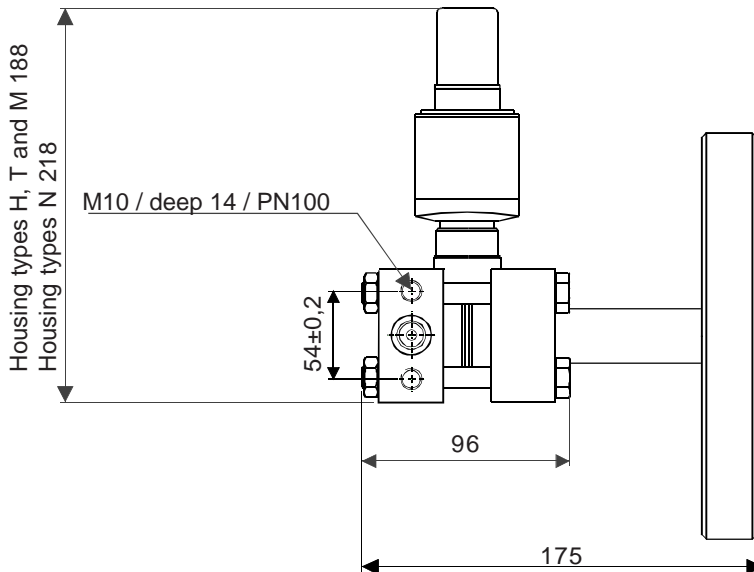
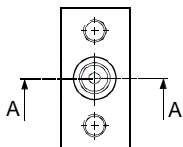
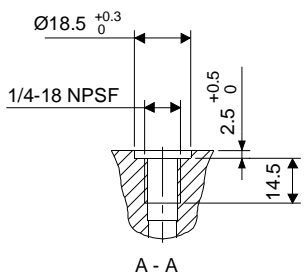
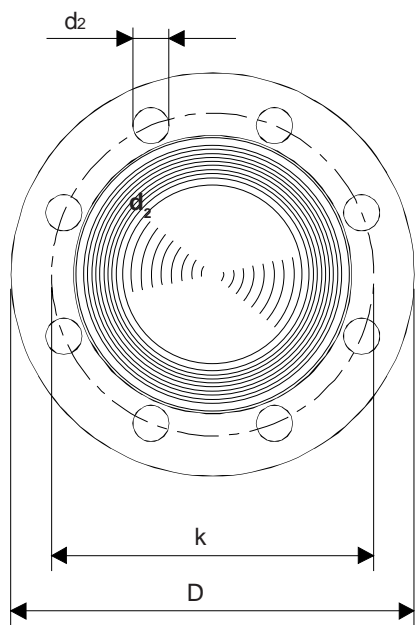
See the table; add 0,6 kg for transmitter with screwed cap housing and 0,7 kg for housing with display.

Type	Extension code			
	0	2	4	6
Ax, Dx, JX*	9.2	9.6	10	10.4
SA*		7.2	7.7	8.1

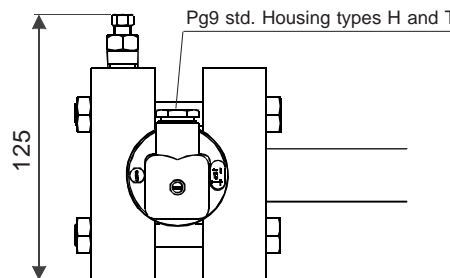
* process connection code

SATRON VDtL Differential Pressure Transmitter

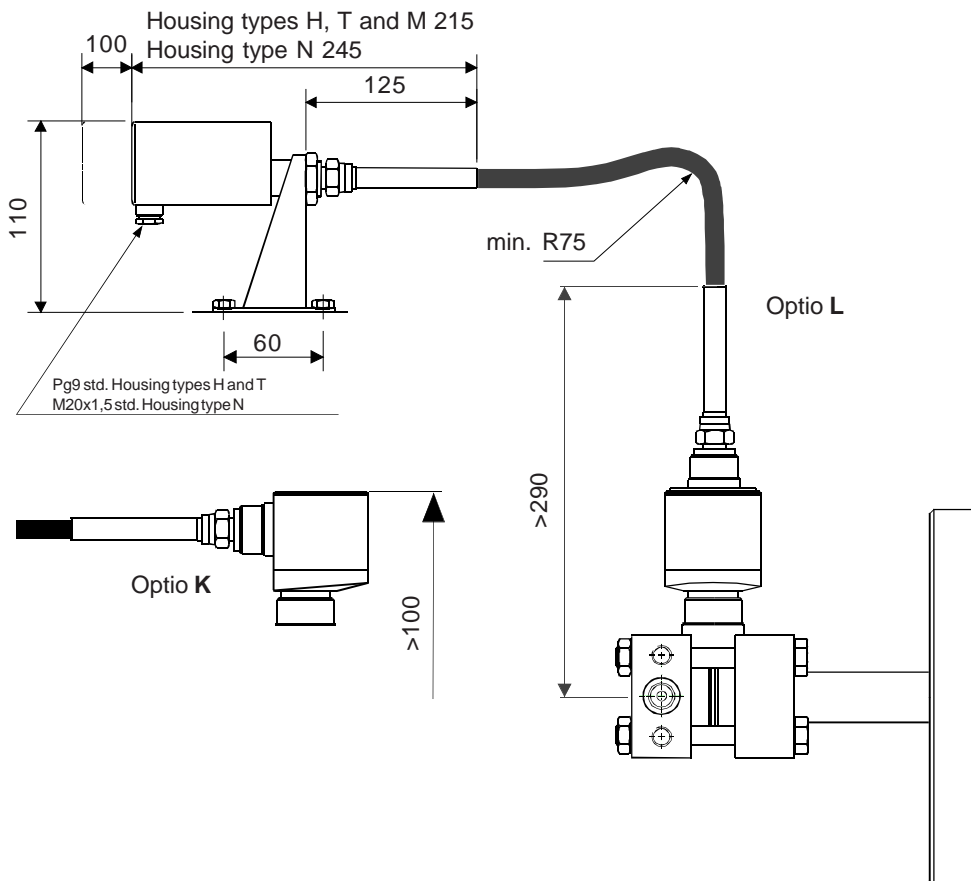
Dimensions (in mm)



Process connection types Ax, Dx and Jx



Notice!
The flange dimensions on the last page!



Optio K

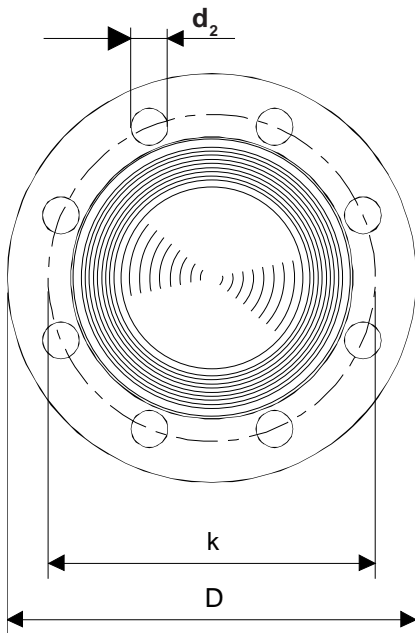
Optio L

SATRON VDtL Differential Pressure Transmitter

BLVT830

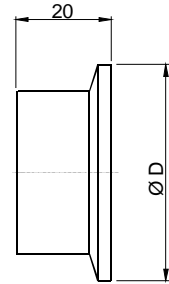
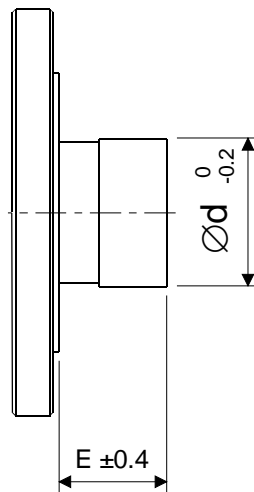
11.01.2016

Dimensions (mm)



Notice!

The flange dimensions on the last page!

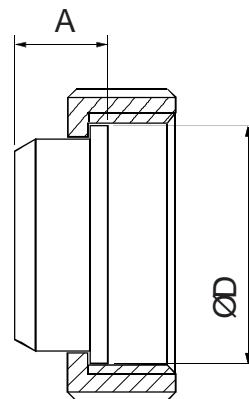
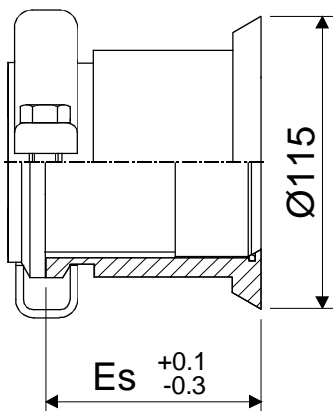


Process connection types **TA**,
TB and **TC**
- Tri-clamp DN38 ... 63,5

DN	ØD
38	50,5
51	64
63,5	77,5

Process connection types Ax, Dx and Jx, with extension

	Extension code			
	0	2	4	6
Dim.E	0	51	102	152

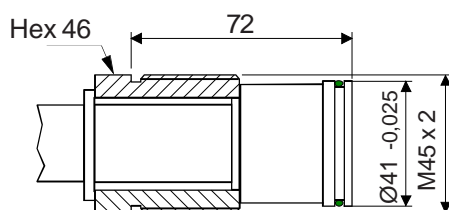


Process connection types **VA** and **VB**
- SMS38 and SMS51

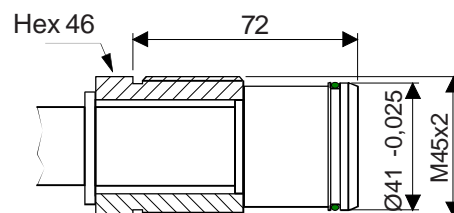
Process connection type **SA**

	Extension code		
	2	4	6
Dim. Es	54.5	105	156

Size	Dimensions		Thread
	ØD	A	
38	54	21	Rd 60 x 1/6
51	64	23	Rd 70 x 1/6



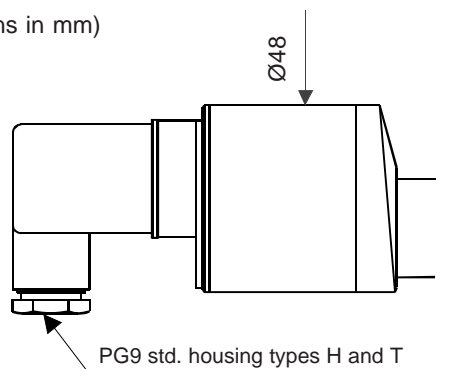
Process connection **BA**
- M45x2



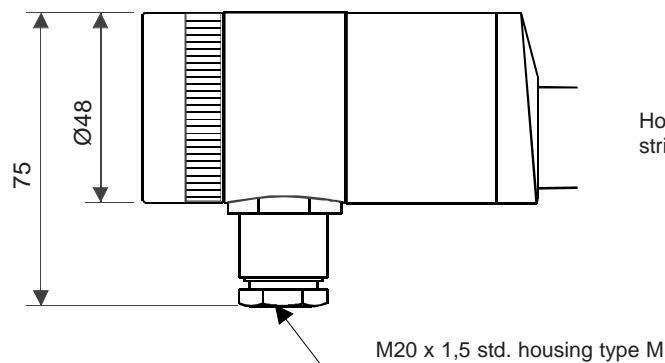
Process connection **BB**
- M45x2 with tapered

SATRON VDtL Differential Pressure Transmitter

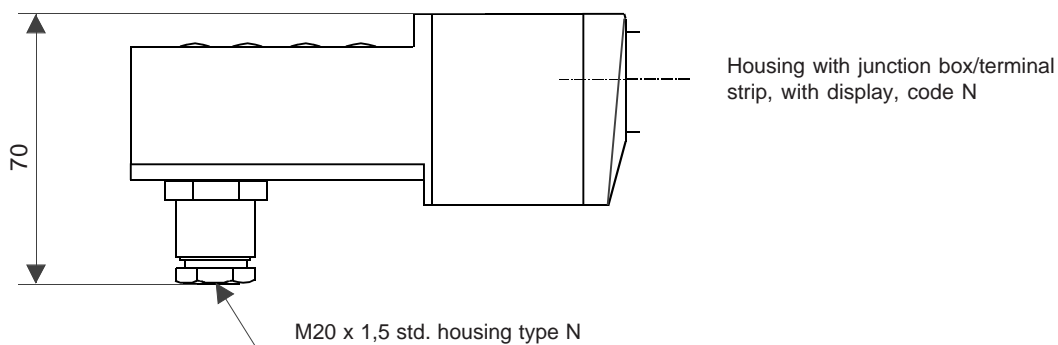
Dimensional drawings (dimensions in mm)



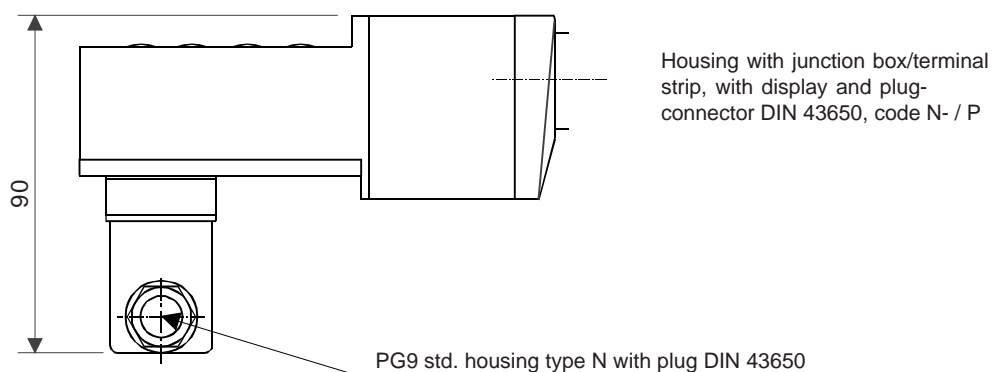
Housing with plug-connector, DIN 43650, codes H and T



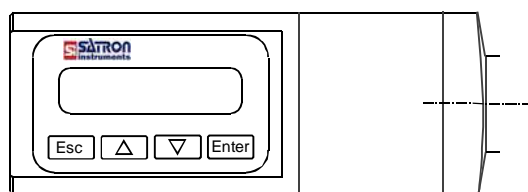
Housing with junction box/terminal strip, code M

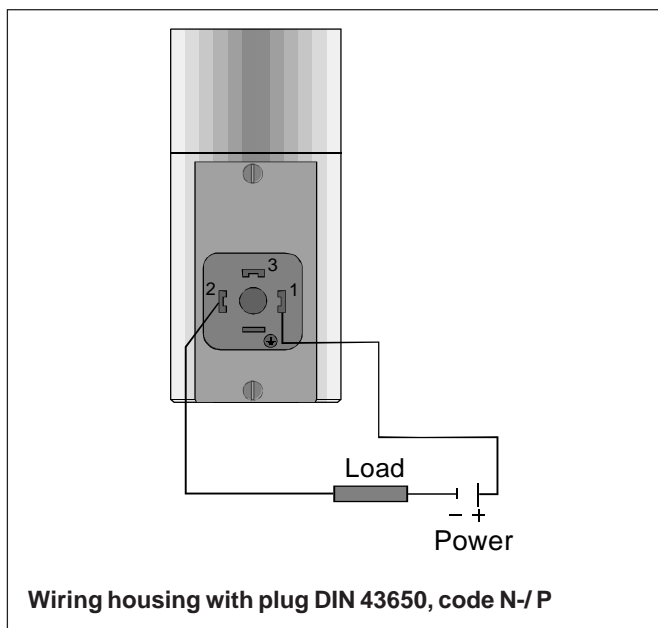
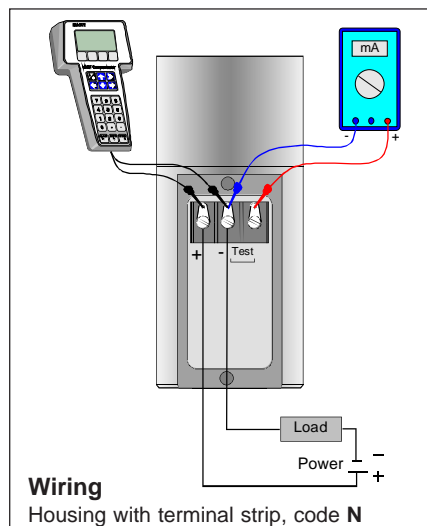
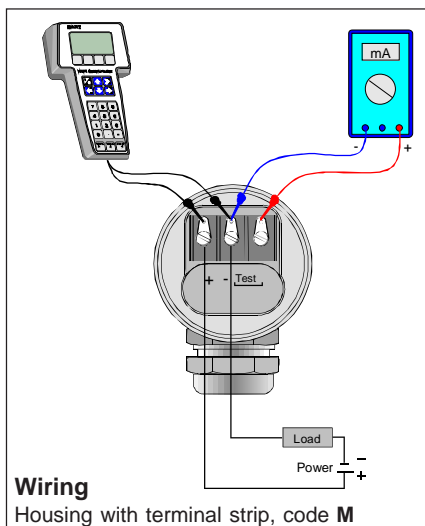
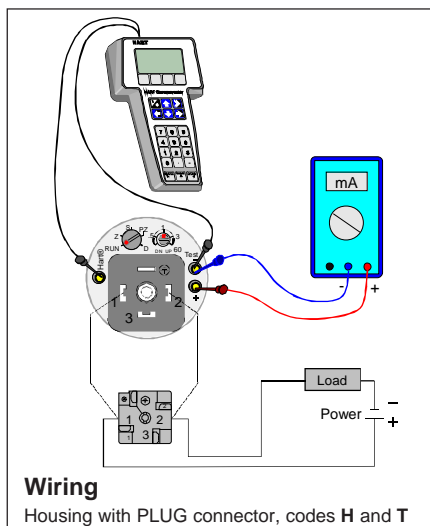


Housing with junction box/terminal strip, with display, code N



Housing with junction box/terminal strip, with display and plug-connector DIN 43650, code N- / P

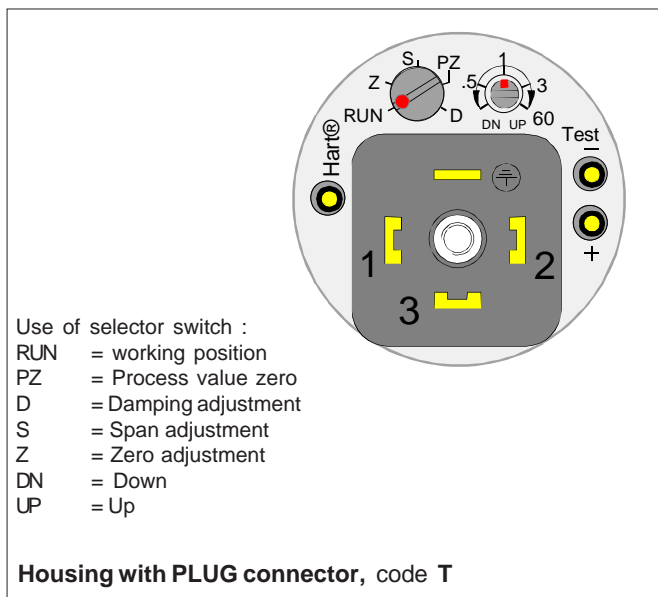




Keyboard :



- Esc = Press **Esc** move back towards the top of the main menu.
- ▲ = Use the **UP** arrow key to move up on the current menu level or to increase the selected parameter value.
- ▼ = Use the **DOWN** arrow key to move down on the current menu level or to decrease the selected parameter value.
- Enter = Press **ENTER** to move to a lower level in a menu or to accept a command or parameter value.

Housing with display, code N



SATRON VDtL Differential Pressure Transmitter

Selection Chart

VDtL Differential Pressure Transmitter																																																																																																																							
Adjustability (±)	Span, min.					Span, max.	Measuring range																																																																																																																
3	1,4 kPa (14 mbar)					35 kPa (350 mbar)	-35...+35 kPa (-350...+350 mbar)																																																																																																																
4	4 kPa (40 mbar)					100 kPa (1000 mbar)	-100...+100 kPa (-1000...+1000 mbar)																																																																																																																
5	26,5 kPa (265 mbar)					500 kPa (5000 mbar)	-500...+500 kPa (-5000...+5000 mbar)																																																																																																																
6	145 kPa (1,45 bar)					3 MPa (30 bar)	-3...+3 MPa (-30...+30 bar)																																																																																																																
Output S 4-20mA DC/HART® -protocol																																																																																																																							
Process connections		JE	JIS 10K 100 JIS B 2220			TA	Tri-clamp DN38 PN40 ISO 2852																																																																																																																
DB	DN50 PN40 ISO 2084-1974	JF	JIS 40K 100 JIS B 2220			TB	Tri-clamp DN51 PN40 ISO 2852																																																																																																																
DC	DN80 PN40 ISO 2084-1974	AC	ANSI 2" 150 lbs ANSI B16-5			TC	Tri-clamp DN63.5 PN40 ISO 2852																																																																																																																
DD	DN100 PN40 ISO 2084-1974	AD	ANSI 2" 300 lbs ANSI B16-5			SA	Sandvik DN70 PN64																																																																																																																
JA	JIS 10K 50 JIS B 2220	AE	ANSI 3" 150 lbs ANSI B16-5			VA	SMS 38																																																																																																																
JB	JIS 40K 50 JIS B 2220	AF	ANSI 3" 300 lbs ANSI B16-5			VB	SMS 51																																																																																																																
JC	JIS 10K 80 JIS B 2220	AG	ANSI 4" 150 lbs ANSI B16-5			BA	M45x2 PN160																																																																																																																
JD	JIS 40K 80 JIS B 2220	AH	ANSI 4" 300 lbs ANSI B16-5			BB	M45x2 PN160 with tapered																																																																																																																
Extension length/mm		Process connections DC, AE and AF				Process connection SA																																																																																																																	
0		0				-																																																																																																																	
2		51				54,5																																																																																																																	
4		102				105																																																																																																																	
6		152				156																																																																																																																	
Wetted materials																																																																																																																							
(-)flange		(+)diaphragm		(-)diaphragm		Extension		(-)diaphragm coating																																																																																																															
Code	Material	Code	Material	Code	Material	Code	Material	Code	Material																																																																																																														
2	AISI316L	1	Nickel (*)	2	AISI316L/317L	2	AISI316L	9	gold/Rhodium																																																																																																														
3	Hast.C 276	2	AISI316L	3	Hast.C 276	3	Hast.C 276		(Do not enter code if diaphragm not coated)																																																																																																														
		3	Hast. C276	5	Tantalum	8	Duplex																																																																																																																
		5	Tantalum	8	Duplex																																																																																																																		
		6	Titanium Gr2 (*)																																																																																																																				
		8	Duplex (EN 1.4462)																																																																																																																				
		A	AISI304																																																																																																																				
Fill fluid S Silicone oil A Oil for food Industry (Neobee M-20) G Inert oil																																																																																																																							
(-)side process connection		D M10, PN100, ranges 3 to 6, IEC 61518.																																																																																																																					
		U 7/16-20 UNF, PN100, ranges 3, 4, and 5 only.																																																																																																																					
		F Screwed flange adapters, PN100, IEC 61518.																																																																																																																					
		V Connection through hydraulic seal (not recommended for ranges 3 and 4).																																																																																																																					
Housing type																																																																																																																							
H Housing with PLUG-connector, DIN43650, no display, inlet PG9																																																																																																																							
T Housing with PLUG-connect.with manual adjust, DIN43650, no display, inlet PG9, no ATEX																																																																																																																							
M Housing with junction box/terminal strip, no display, inlet M20x1,5																																																																																																																							
N Housing with junction box/terminal strip, with display, inlet M20x1,5																																																																																																																							
Explosion proof 0 No explosion proof 1 Atex Intrinsic Safety, 																																																																																																																							
<table border="1"> <tr> <td>Process coupling</td> <td>Material</td> <td colspan="8"></td> </tr> <tr> <td>0 No coupling</td> <td>2 AISI316L (EN 1.4404)</td> <td colspan="8"></td> </tr> <tr> <td>A With coupling</td> <td>3 Hast.C276 (EN 2.4819)</td> <td colspan="8"></td> </tr> <tr> <td></td> <td>8 Duplex (EN 1.4462)</td> <td colspan="8"></td> </tr> <tr> <td>Process thread on flange adapter</td> <td>Thread type</td> <td>Thread size</td> <td colspan="7"></td> </tr> <tr> <td></td> <td>Code Type</td> <td>Code Size</td> <td colspan="7"></td> </tr> <tr> <td>(only specify for (-)-side process conn. F)</td> <td>R straight R thread</td> <td>2 1/4</td> <td colspan="7"></td> </tr> <tr> <td></td> <td>N NPS thread</td> <td>3 3/8</td> <td colspan="7"></td> </tr> <tr> <td></td> <td>P taper R thread</td> <td>4 1/2</td> <td colspan="7"></td> </tr> <tr> <td></td> <td>T NPT thread</td> <td></td> <td colspan="7"></td> </tr> <tr> <td>Special size of electrical inlet</td> <td>N 1/2NPT</td> <td>G Pg13.5</td> <td>P Plug DIN 43650</td> <td colspan="6"></td> </tr> </table>										Process coupling	Material									0 No coupling	2 AISI316L (EN 1.4404)									A With coupling	3 Hast.C276 (EN 2.4819)										8 Duplex (EN 1.4462)									Process thread on flange adapter	Thread type	Thread size									Code Type	Code Size								(only specify for (-)-side process conn. F)	R straight R thread	2 1/4									N NPS thread	3 3/8									P taper R thread	4 1/2									T NPT thread									Special size of electrical inlet	N 1/2NPT	G Pg13.5	P Plug DIN 43650						
Process coupling	Material																																																																																																																						
0 No coupling	2 AISI316L (EN 1.4404)																																																																																																																						
A With coupling	3 Hast.C276 (EN 2.4819)																																																																																																																						
	8 Duplex (EN 1.4462)																																																																																																																						
Process thread on flange adapter	Thread type	Thread size																																																																																																																					
	Code Type	Code Size																																																																																																																					
(only specify for (-)-side process conn. F)	R straight R thread	2 1/4																																																																																																																					
	N NPS thread	3 3/8																																																																																																																					
	P taper R thread	4 1/2																																																																																																																					
	T NPT thread																																																																																																																						
Special size of electrical inlet	N 1/2NPT	G Pg13.5	P Plug DIN 43650																																																																																																																				
Special features																																																																																																																							
Special electronics (specify only if housing connected with hose to sensing element)																																																																																																																							
- connecting cable with protection hose																																																																																																																							
L Hose protected with PTFE/AISI316 braiding, straight																																																																																																																							
K Hose protected with PTFE/AISI316 braiding, angle of 90°																																																																																																																							
Length of cable between sensing element and housing																																																																																																																							
(specify only if housing connected with cable to sensing element)																																																																																																																							
2 2 m cable 3 3 m cable etc. (max. 10 m)																																																																																																																							
Mounting parts for remote electronics for Ø51 mm tube																																																																																																																							
0 No mounting parts 1 Mounting parts																																																																																																																							
Documentation																																																																																																																							
Calibration Certificate				AE English																																																																																																																			
Installation and Operating Instructions				IE English		IF Finnish																																																																																																																	
Material Certificates																																																																																																																							
0 No material certificate																																																																																																																							
MC1 Raw materials certificate without appendices, in accordance with SFS-EN 10204-2.1 (DIN 50049-2.1) standard																																																																																																																							
MC2 Raw materials certificate for wetted parts with appendices, in accordance with SFS-EN 10204-2.2 (DIN 50049-2.2) standard																																																																																																																							
MC3 Raw materials certificate for wetted parts with appendices, in accordance with SFS-EN 10204-3.1B (DIN 50049-3.1B) standard																																																																																																																							
(*) = only with flange					(**) = Housing H and N : 																																																																																																																		

SATRON VDtL Differential Pressure Transmitter

Flange size	Flange dimensions			Holes			Extension
	b	D	Ød ₄	pcs	d ₂	k	
ISO DN50 PN40	20	165	102	4	18	125	51
ISO DN80 PN40	24	200	138	8	18	160	73
ISO DN100 PN40	24	235	162	8	22	190	73
ANSI 2" 150 lbs	23	152	92	4	20	120.6	51
ANSI 2" 300 lbs	25	165	92	8	20	127	51
ANSI 3" 150 lbs	26	191	127	4	20	152.4	73
ANSI 3" 300 lbs	31	210	127	8	23	168.3	73
ANSI 4" 150 lbs	26	229	157	8	20	190.5	73
ANSI 4" 300 lbs	34	254	157	8	23	200	73
JIS 10K-50	16	155	96	4	19	120	51
JIS 40K-50	26	165	105	8	19	130	51
JIS 10K-80	18	185	126	8	19	150	73
JIS 40K-80	32	210	140	8	23	170	73
JIS 10K-100	18	210	151	8	19	175	73
JIS 40K-100	36	250	165	8	25	205	73

Process connection types Ax, Dx and Jx



Satron Instruments Inc., P.O.Box 22, FI-33901 Tampere, Finland
Tel. +358 207 464 800, Telefax +358 207 464 801, www.satron.com

We reserve the right for technical modifications without prior notice.
HART® is a registered trademark of HART Communication Foundation.
Viton® is the registered trademark of DuPont Down Elastomers.
Hastelloy® is the registered trademark of Haynes International.
Teflon® is the registered trademark of E.I. du Pont de Nemours & Co

(**) = ATEX transmitters with display are the model without membrane key.

Installation

We manufacture the following mounting accessories for pressure and differential pressure transmitters:

PASVE® mounting & service valveSpec. G340
 PASVE® BA mounting & service valveSpec. G360
 Mounting couplings for transmitters.....Spec. G150

Other mounting accessories:

PASVE® pH mounting & service valve
 for pH electrodes Spec. G345
 PASVE® DUAL mounting & service valve ... Spec. G365
 PASVE® pH-U mounting & service valve Spec. G370
 PASVE® SC/SP/ST Sampling ValveSpec. G347

INSTALLATION OF PRESSURE AND DIFFERENTIAL PRESSURE TRANSMITTERS

The transmitters are isolated from the process with impulse piping and valves, or with a diaphragm seal unit. This isolation protects the transmitter against harmful pressure, temperature, corrosion and vibration effects. It also permits the transmitter to be mounted at the most convenient location from the servicing and maintenance viewpoint.

Pressure transmitters can also be mounted directly on the process pipe (fig. 1) or vessel. In direct mounting you should make sure that the measuring device is suitable for the prevailing conditions. It is advisable to avoid installing transmitters at locations where they would be subjected to heavy vibration and very high temperatures. A wisely chosen mounting environment and suitable mounting accessories will ensure accurate measurement and easy maintenance at the measurement point.

CONNECTING THE TRANSMITTER TO THE IMPULSE PIPING



Figure 1



Figure 2

You connect the transmitter to the impulse piping with mounting valves (Fig. 2), or with a mounting bracket and separate valves.

PASVE is the registered trademark of Satron Instruments Inc.



Satron Instruments Inc.
P.O.Box 22, FI-33901 Tampere, Finland
Tel. +358 207 464 800, Fax +358 207 464 801
www.satron.com

We reserve the right for technical modifications without prior notice.

HART® is a registered trademark of HART Communication Foundation.
Viton® is the registered trademark of DuPont Down Elastomers.





PASVE® is a ball-type mounting & service valve for SATRON VG and HG type level and pressure transmitters. **PASVE®** makes it simple to disconnect the transmitter from the process for maintenance and cleaning, without stopping the process or draining the tank.

PASVE® is available in a manually operated type or equipped with a pneumatic actuator.

TECHNICAL SPECIFICATIONS

Transmitter connection

G1 female, seat accepts SATRON VG-transmitters.

Max. operating pressure/temperature

Pressure 40 bar, temperature 250 °C, (see the appended table).

Min. operating temp. -50 °C.

PVDF: See the appended table.

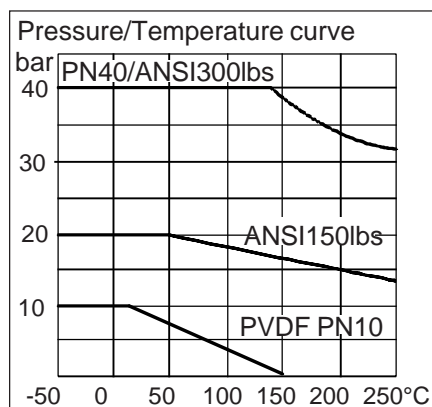
Materials

Wetted parts: AISI316L, AISI904L, Duplex, Hastelloy C276, Titanium, for **F** type also PVDF. Seals PTFE or PTFE with carbon and graphite filling.

Weight

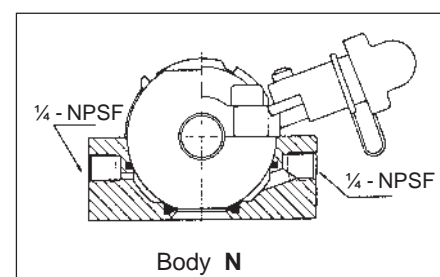
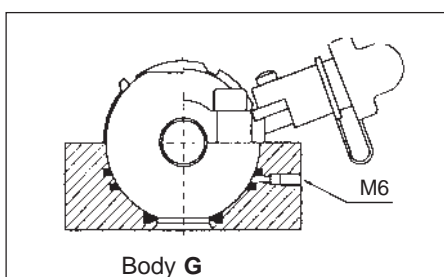
PASVE GC 4.3 kg, PASVE GP 4.2 kg,

PASVE GF 8.4 kg, Actuator 5.5 kg



Selection table

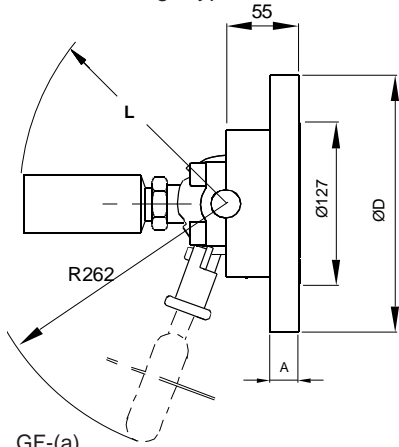
PASVE		<input type="checkbox"/>	<input type="checkbox"/>	<input type="checkbox"/>	<input type="checkbox"/>	<input type="checkbox"/>	<input type="checkbox"/>	<input type="checkbox"/>	<input type="checkbox"/>	<input type="checkbox"/>	<input type="checkbox"/>
Body											
G Standard model (with 3 seals)											
N Flushing (with 2 seals)											
Mounting											
		Wetted parts (C and P)									
		Code	Material								
C On container	2	AISI316L (std.)									
P On pipe	3	Hastelloy C									
	4	AISI904L									
	6	Titanium									
F On flange	8	Duplex									
Flanges		Wetted parts									
Code Type		Code	Material								
T	DN50 PN40 (only manual)	2	AISI316L								
		3	Hastelloy®C276								
D	DN80 PN40	4	AISI904L								
J	DN100 PN10/16	6	Titanium								
C	DN100 PN40	8	Duplex (EN1.4462)								
K	ANSI 2½"/150lbs (only manual)	P1	PVDF PN10								
A	ANSI 3"/150 lbs	(P1 only for flange codes D,A,E)									
B	ANSI 3"/300 lbs										
H	ANSI 4"/150 lbs										
G	ANSI 4"/300 lbs										
Seals											
0	PTFE + 20C + 5Gr (std.)										
1	PTFE 100%										
4	PTFE + 20C + 5Gr / AISI316 / PTFE 50 % (Hard)										
5	PTFE 100% / AISI316 / PTFE 50% (Hard)										
6	PTFE 100% / PVDF 100% (Hard)										
Pt100 temperature sensor (Only with body code N)											
0	No sensor										
X	With sensor (measuring range: -50...+200 °C)										
Actuator											
MD	No actuator (manually operated)		AE1	Electric actuator 230 V							
AD	Double-action actuator		AE3	Electric actuator 115 V							
AS	Spring-return actuator										
Solenoid valve type (for codes AD and AS only)											
0	No solenoid valve		4	28 V DC 0.4 W (only EEx ia)							
1	230 V AC 50 Hz 2 W (std.)										
2	24 V DC 2.5 W (also EEx dm)										
3	115 V AC 60 Hz 2 W										
Solenoid explosion proof											
0	No explosion proof										
1	EEx m II T4										
2	EEx ia IIC T6										
3	EEx dm IIC T5/T6										
Position switches											
0	None		A	Position switch EEx ib IIC T5/T6							
X	Equipped with position switches		E	Position switch NAMUR, DIN 19234							
Options											
Z1	For oxygen use		Z4	Cutting ball							
Z2	Process side flushing		Z5	Diamond-coated ball							
Documentation											
IE	English		IF	Finnish							
Material certificates											
0	No material certificate		MC2	SFS-EN 10204-2.2 (DIN50049-2.2)							
MC1	SFS-EN 10204-2.1 (DIN50049-2.1)		MC3	SFS-EN 10204-3.1B (DIN50049-3.1B)							
Specification example: PASVE G FD2 0 0 AD10 X IE MC1											



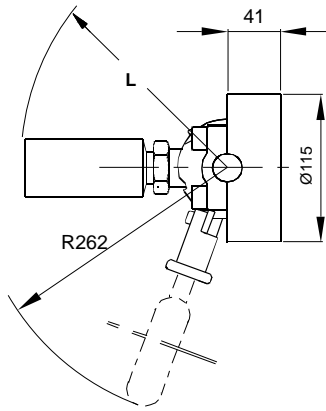
Dimensions (mm)

Manually operated

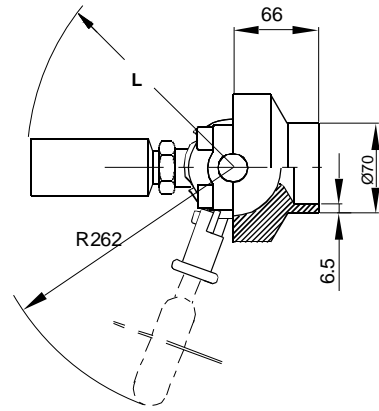
PASVE GF-(a)
NF-(a)
Flange type



PASVE GC
NC
Welded on container



PASVE GP
NP
Welded on pipe

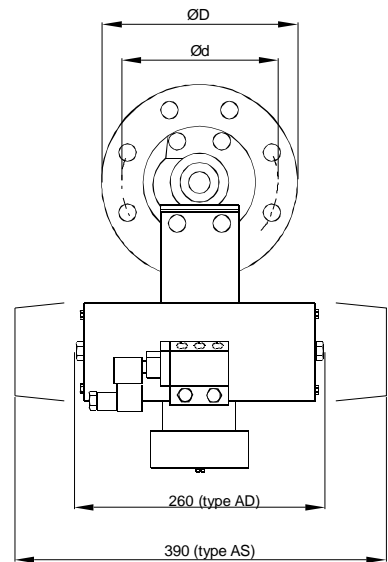
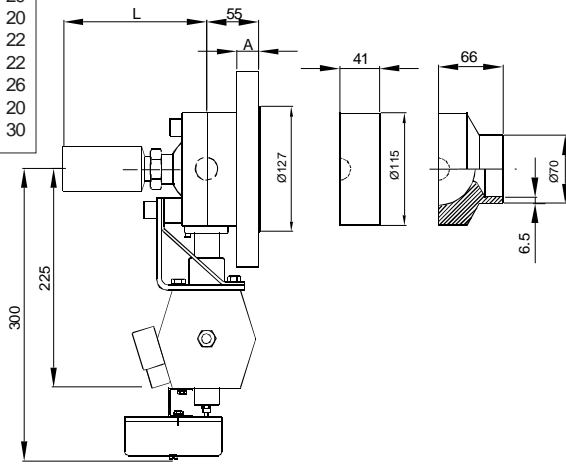


GF-(a)

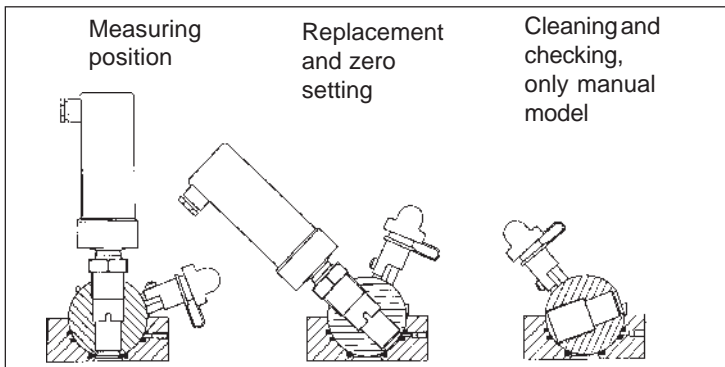
FLANGE		ØD	Ød	A
Code	Type			
K	ANSI 2½" 150 lbs	172	139.7	22
A	ANSI 3" 150 lbs	191	152.4	22
B	ANSI 3" 300 lbs	210	168.3	27
H	ANSI 4" 150 lbs	229	190.5	26
G	ANSI 4" 300 lbs	254	200	29
T	DN50 PN40	165	125	20
D	DN80 PN40	200	160	22
J	DN100 PN10/16	220	180	22
C	DN100 PN40	235	190	26
E	JIS10K 80	185	150	20
F	JIS40K 80	210	170	30

With pneumatic actuator

PASVE GF-(a) PASVE GC PASVE GP
NF-(a) NC NP



OPERATING POSITIONS



Surface temperature

Ambient temperature °C	Temperature class
70	T6
85	T5
120	T4

European Directive Information

ATEX directive (94/9/EC)
Satron Instruments Inc. complies with the ATEX directive.

European Pressure Equipment Directive (PED) (97/23/EC)
- Sound Engineering Practice

We reserve the right for technical modifications without prior notice.

Teflon® is the registered trademark of E.I. du Pont de Nemours & Co

Hastelloy® is the registered trademark of Haynes International.

European Certification



Pasve® is the registered trademark of Satron Instruments Inc.



PASVE® BA is a ball-type mounting & service valve for SATRON VL- and VDtL - pressure and differential pressure transmitters and also for Satron HPS hydraulic pressure seals. **PASVE® BA** makes it simple to disconnect the transmitter from the process for checking, changing the transmitter, flushing and calibration without stopping the process. **PASVE® BA** is available in a manually operated type or equipped with a pneumatic actuator.

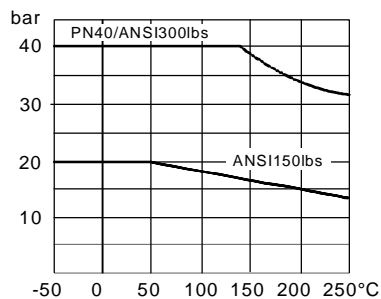
TECHNICAL SPECIFICATIONS

Transmitter connection

M45x2 female thread, suitable for SATRON VL- and VDtL-transmitters and for Satron HPS hydraulic pressure seals.

Max. operating pressure/temperature
Pressure 40 bar, temperature 250 °C,
(see the appended table).
Min. operating temp. -50 °C.

Pressure/Temperature curve



Materials

Wetted parts : AISI316L, AISI904L, Duplex, Hastelloy C276, Titanium, 254 SMO.
Seals: PTFE, PTFE with carbon and graphite filling or PTFE 50%+AISI316 50% mixture

Weight

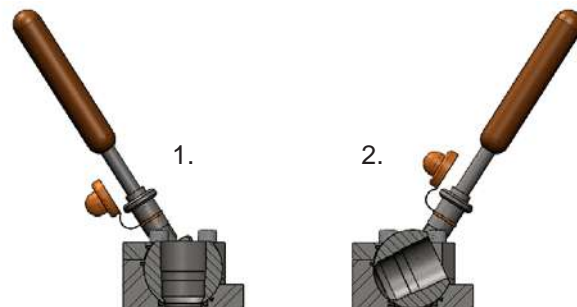
PASVE BA C 4,3 kg, **PASVE BA P** 4,2 kg,
PASVE BA F 8,4 kg, Actuator 5,5 kg

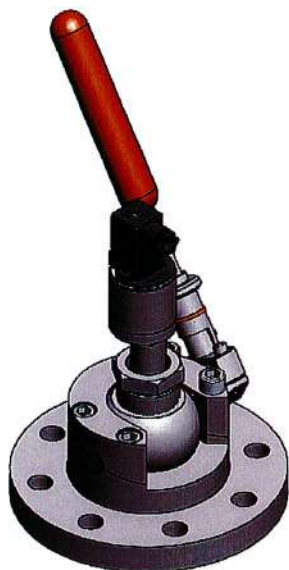
Selection table

PASVE BA		<input type="checkbox"/>	<input type="checkbox"/>	<input type="checkbox"/>	<input type="checkbox"/>	<input type="checkbox"/>	<input type="checkbox"/>	<input type="checkbox"/>	<input type="checkbox"/>		
Mounting											
Wetted parts (C and P)											
	Code	Material									
C	On container	2	AISI316L(EN 1.4404) (std.)								
P	On pipe	3	Hastelloy C (EN 2.4819)								
		4	AISI904L (EN 1.4539)								
		6	Titanium Ti-2 (EN 3.7035)								
		8	Duplex (EN 1.4462)								
		K	254 SMO®								
F Flange											
Flanges		Wetted parts									
Code	Type	Code	Material								
D	DN80 PN40	2	AISI316L								
J	DN100 PN10/16	3	Hastelloy®C276								
C	DN100 PN40	4	AISI904L								
A	ANSI 3"/150 lbs	6	Titanium								
B	ANSI 3"/300 lbs	8	Duplex (EN 1.4462)								
H	ANSI 4"/150 lbs	K	254 SMO®								
G	ANSI 4"/300 lbs										
Seals											
0	PTFE + 20C + 5Gr (std.)										
1	PTFE 100%										
4	PTFE + 20C + 5Gr / AISI316 / PTFE 50 % (Hard)										
5	PTFE 100% / AISI316 / PTFE 50% (Hard)										
6	PTFE 100% / PVDF 100% (Hard)										
Pt100 Temperature transmitter											
0	No sensor										
X	With sensor (-50...+200 °C)										
Actuator											
MD	No actuator (manually operated)		AE1	Electric actuator 230 V							
AD	Double-action actuator		AE3	Electric actuator 115 V							
AS	Spring-return actuator		A0	No actuator, fittings to the actuator							
Solenoid valve type (for codes AD and AS only)											
0	No solenoid valve		4	28 V DC 0.4 W (only EEx ia)							
1	230 V AC 50 Hz 2 W (std.)										
2	24 V DC 2.5 W (also EEx dm)										
3	115 V AC 60 Hz 2 W										
Solenoid explosion proof											
0	No explosion proof		3	EEx dm IIC T5/T6							
1	EEx m II T4										
2	EEx ia IIC T6										
Position switches											
0	None		A	Position switch EEx ib IIC T5/T6							
X	Equipped with position switches										
E	Position switch NAMUR, DIN 19234										
Options											
Z1	Oxygen wash		Z4	Cutting ball							
Z2	Process side flushing		Z5	Diamond-coated ball							
Dokumentit											
E	English		IF	Finnish							
Material certificates											
0	No material certificate		MC2	SFS-EN 10204-2.2(DIN50049-2.2)							
MC1	SFS-EN 10204-2.1(DIN50049-2.1)		MC3	SFS-EN 10204-3.1B(DIN50049-3.1B)							
Specification example:		PASVE BA FD200AD10XIEMC1									

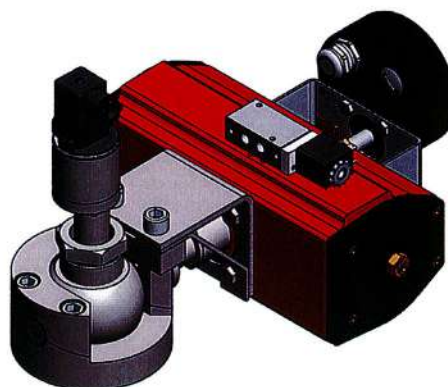
WORKING POSITIONS

1. Transmitter in measuring
2. Transmitter can be checked, changed, calibrated or the transmitter diaphragm can be flushed

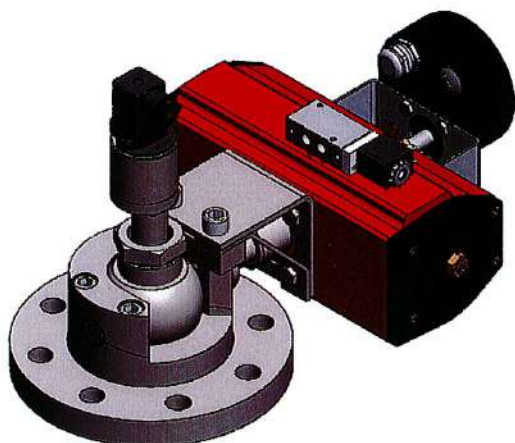


**PASVE BAF**

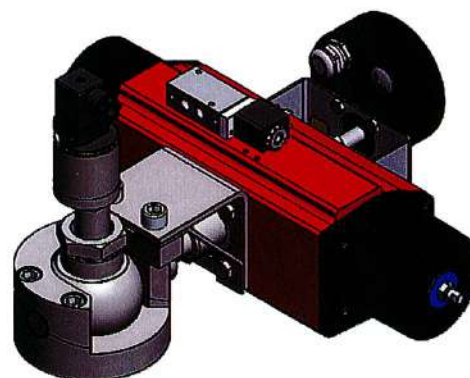
- Flange type
- Manually operated (MD)

**PASVE BAC**

- Welded on container
- Double-action actuator (AD)

**PASVE BAF**

- Flange type
- Double-action actuator (AD)

**PASVE BAC**

- Flange type
- Spring-return actuator (AS)

Surface temperature

Ambient temperature °C	Temperature class
70	T6
85	T5
120	T4

**European Directive Information**

ATEX directive (94/9/EC)

Satron Instruments Inc. complies with the ATEX directive.

European Pressure Equipment Directive (PED) (97/23/EC)

- Sound Engineering Practice

European Certification

We reserve the right for technical modifications without prior notice.

Teflon® is the registered trademark of E.I. du Pont de Nemours & Co.

254 SMO® is the registered trademark of Avesta Polaris AB.

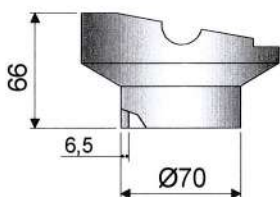
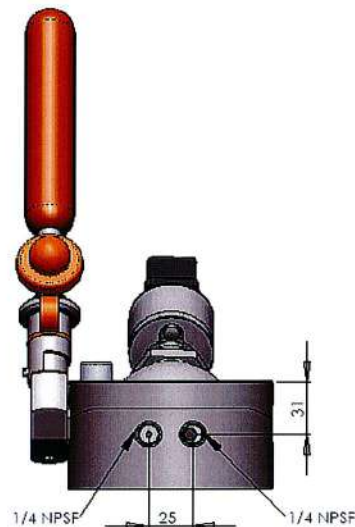
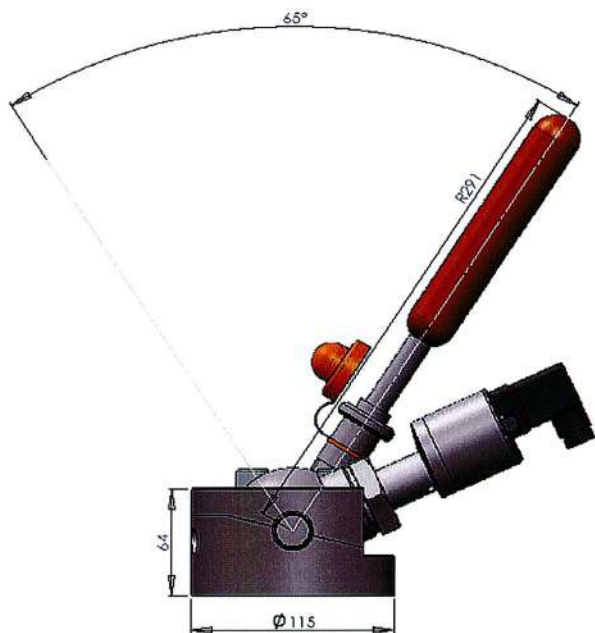
Hastelloy® is the registered trademark of Haynes International.

Pasve® is the registered trademark of Satron Instruments Inc.

Dimensions (mm)

Manually operated

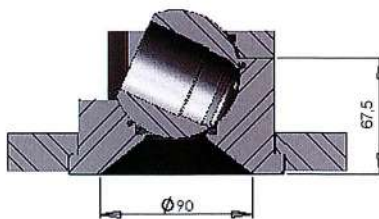
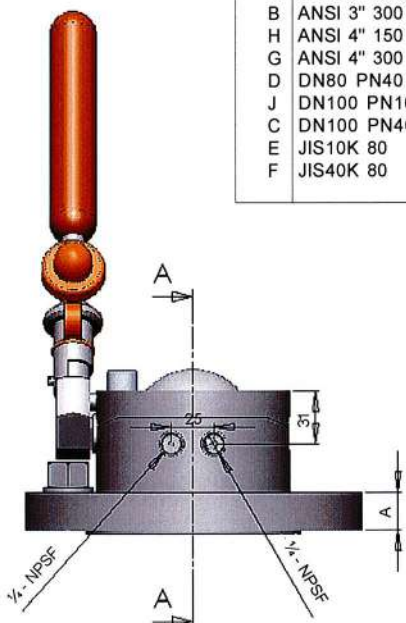
PASVEBAC
Welded on container



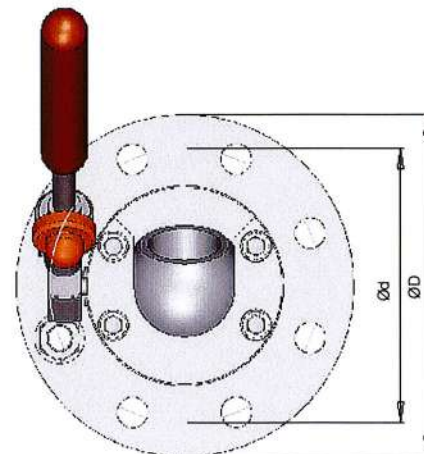
PASVEBAP
Welded on pipe

Flange (a)		ØD	Ød	A
Code	Type			
A	ANSI 3" 150 lbs	191	152.4	22
B	ANSI 3" 300 lbs	210	168.3	27
H	ANSI 4" 150 lbs	229	190.5	26
G	ANSI 4" 300 lbs	254	200	29
D	DN80 PN40	200	160	22
J	DN100 PN10/16	220	180	22
C	DN100 PN40	235	190	26
E	JIS10K 80	185	150	20
F	JIS40K 80	210	170	30

PASVEBAF-(a)
Flange type



SECTION A-A



SATRON PASVE BA Mounting & Service Valve

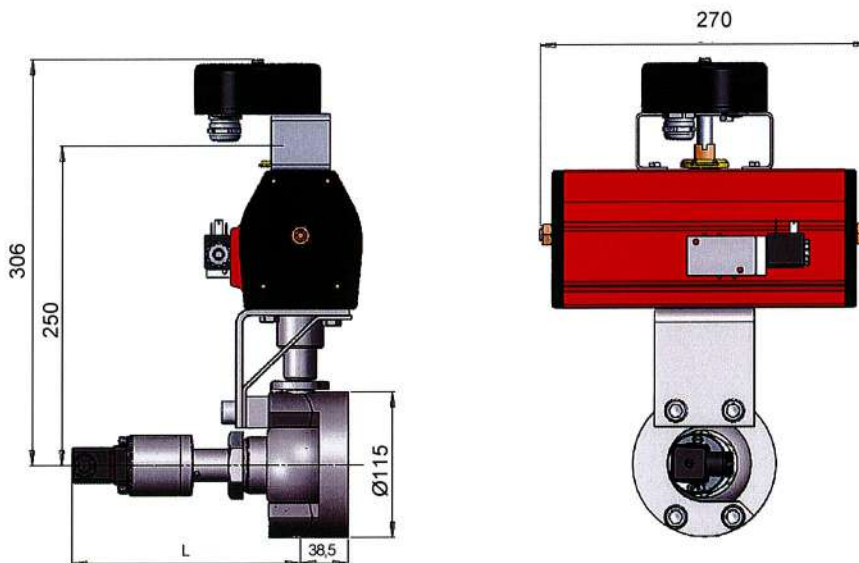
G360
15.11.2012

Dimensions (mm)

Automatic operated with actuator

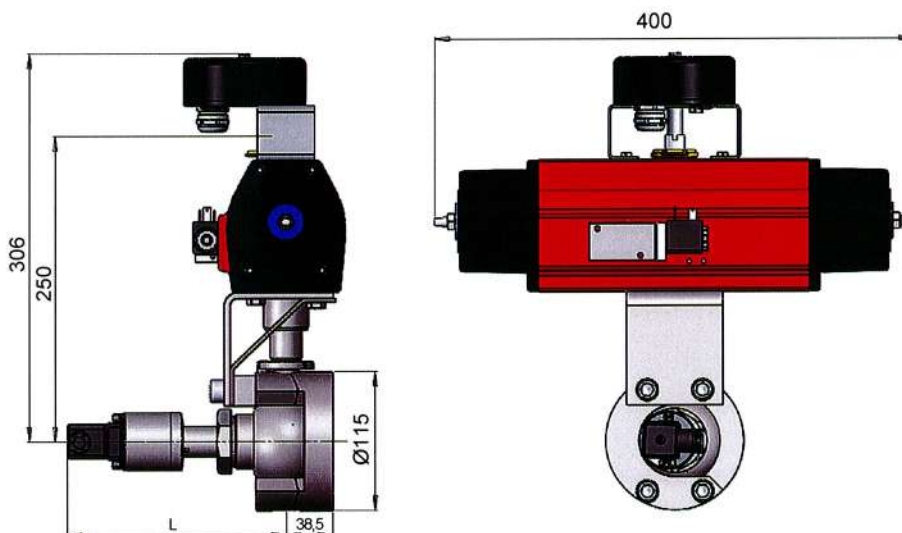
PASVE BAC

- Welded on container
- Double-action actuator (AD)



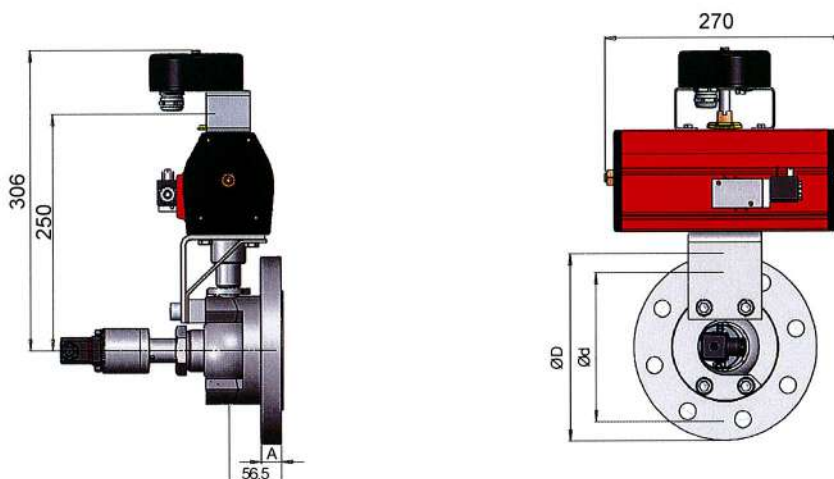
PASVE BAC

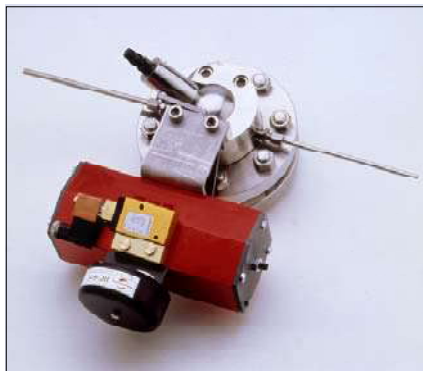
- Welded on container
- Spring-return actuator (AS)



PASVE BAF

- Flange type
- Double-action actuator (AD)





PASVE® pH is a mounting/service valve for pH sensors. It can be used with practically all pH sensors in this size category in the most demanding measurement locations.

PASVE® pH allows the cleaning and calibration of pH sensors without stopping the process. When required, this can be done automatically. To protect the sensor in abrasive processes, it can be turned to the measuring position only for the duration of the actual measurement.

PASVE® pH is available in a manually operated type or equipped with a pneumatic or electric actuator.

TECHNICAL SPECIFICATIONS

Compatible pH sensors

Refer to the Selection Table.

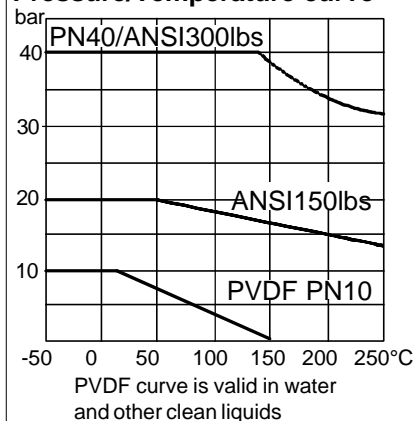
Max. operating pressure/temperature

40 bar, 250 °C, (see the below table).

Min. operating temp. -50°C.

Sensor-specific limitations should be taken into account by the application.

Pressure/Temperature curve



Materials

Wetted parts: AISI316L, AISI904L, Titanium, Hastelloy® C276, Duplex, 254 SMO® and PVDF.

Seals: PTFE, PTFE with carbon and graphite filling or PTFE 50%+AISI316 50% mixture

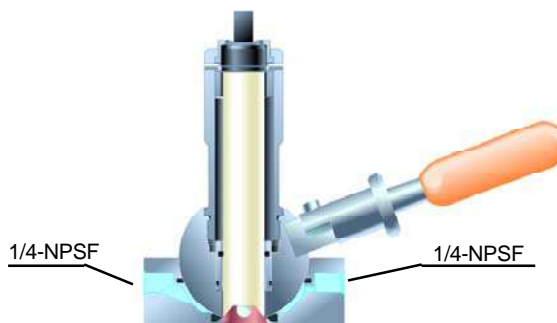
Weight

PASVE pHC 4.7 kg, PASVE pHF 4.8 kg,

PASVE pHF 8.9 kg,

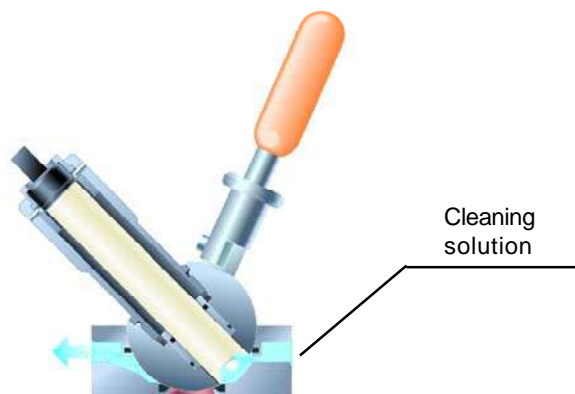
Actuator 5.5 kg

OPERATING POSITIONS



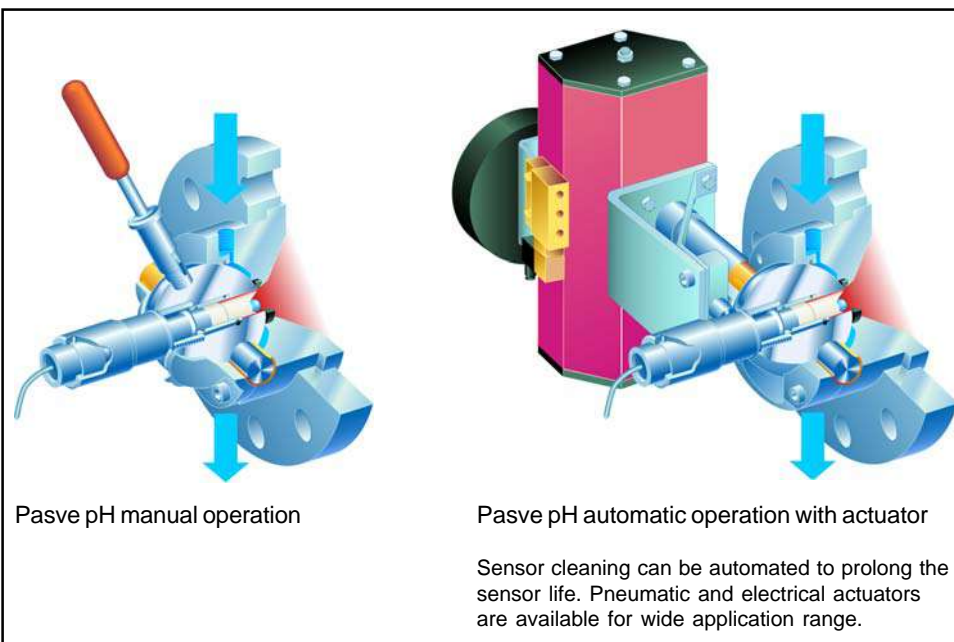
Measuring position

Sensor in measurement position. (Flushing channel can be used for watercooling the sensor and valve)



Service and calibration position

Sensor is turned inside the valve for cleaning, calibrating or sensor change without stopping the process.



Sensor cleaning can be automated to prolong the sensor life. Pneumatic and electrical actuators are available for wide application range.

Hastelloy is the registered trademark of Haynes International.

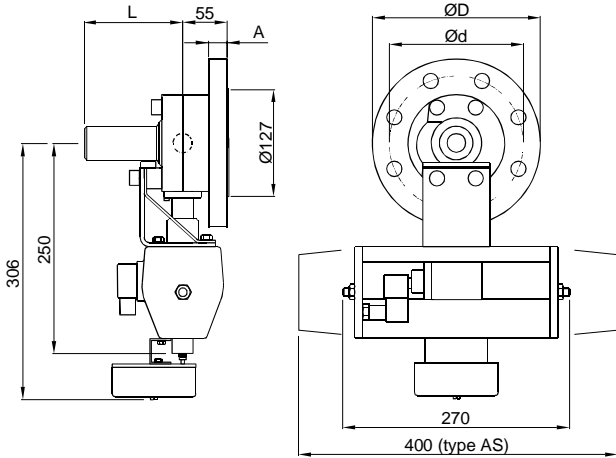
254 SMO is the registered trademark of Outokumpu Stainless Inc.

Pasve is the registered trademark of Satron Instruments Inc.

We reserve the right for technical modifications without prior notice.

Pasve pH with pneumatic actuator

PASVE pHF
(Flange type)



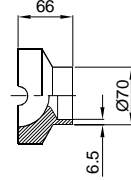
PASVE pHC

(Welded on a container or a horizontal pipe, instructions on manual page 10)



PASVE pHP

(Shape the body for the pipe Ø before welding, instructions on manual page 11)

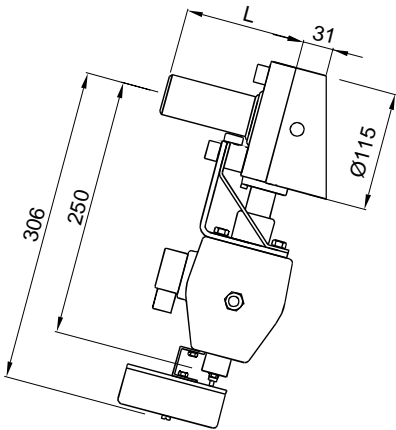


PASVE pHF

FLANGE		ØD	Ød	A
Code	Type			
K	ANSI 2½" 150 lbs	172	139.7	22
A	ANSI 3" 150 lbs	191	152.4	22
B	ANSI 3" 300 lbs	210	168.3	27
H	ANSI 4" 150 lbs	229	190.5	26
G	ANSI 4" 300 lbs	254	200	29
T	DN50 PN40	165	125	20
D	DN80 PN40	200	160	22
J	DN100 PN10/16	220	180	22
C	DN100 PN40	235	190	26
E	JIS10K 80	185	150	20
F	JIS40K 80	210	170	30

PASVE pHB

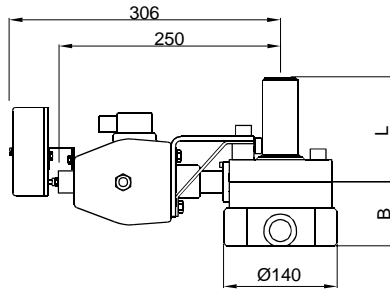
(Welded on a container or a vertical pipe, body 15°)



L depends on the sensor type

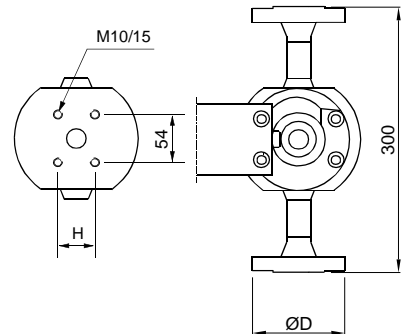
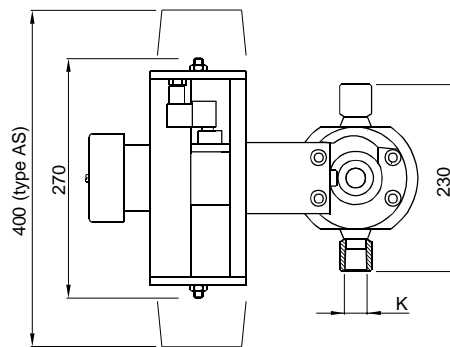
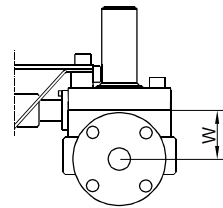
PASVE pHT

(Flow-through body, threaded connection)



PASVE pHD

(Flow through body, flange connection)



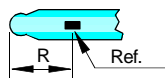
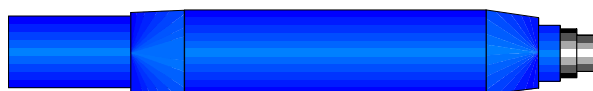
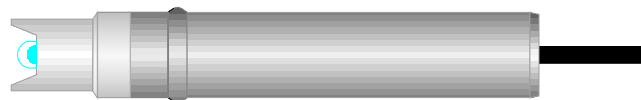
PASVE pHD

FLANGE		W	ØD	H
Code	Type			
H	ANSI 1" 150 lbs	55	108	48
J	ANSI 1" 300 lbs	55	124	48
U	ANSI 2" 150 lbs	68	153	76
V	ANSI 2" 300 lbs	68	165	76
G	DN25 PN40	55	115	48
T	DN50 PN40	68	165	76

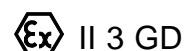
PASVE pHT

THREAD		B	H
Code	Type (dim.K)		
2	1" - NPT	77	48
4	1.5" - NPT	92	64
5	2" - NPT	104	76

Dimensions (mm)

Sensor connection**Standard sensor connection PG13.5 / Ø12 mm / length 120 mm****Code dimension R****S** R < 30 mm**M** R < 20 mm**L** R < 10 mm**Check the sensor datasheet for the reference point location!****Special sensor connection types****Code Sensor****B1** Broadley-James Dynaprobe II**B2** Broadley-James S410**B3** Broadley-James DynaProbe ST856**C1** Honeywell Durafet II, smooth tip**C2** Honeywell Meredian II and Durafet II guarded tip**D1** Barben 546/556, flat glass, 38 mm insertion depth**D4** Barben 551/561, flat glass, actual insertion depth 3.94"**D6** in-line Barben 551/561, flat glass, 100 mm insertion depth (manual only)**E3** E+H CPF81/82, guarded tip, not machined**E4** E+H CPF81, flat glass, not machined**F1** Foxboro 871A**F2** Foxboro 871pH**F3** Foxboro PH10-3**F4** Foxboro PH10-2**F5** in-line Foxboro PH10-2 (manual only)**G1** Lange (GLI) PD1P1.99**G2** Lange (GLI) DPD1P1.99**GX** +GF+ 272X, flat glass**H1** Hamilton Inchtrode N75P**H2** Hamilton Inchtrode N75F**I1** Teledyne Isco 701pH**K1** Kemotron 4835 and 4837 UPW**O2** Orbisphere (31110)**P1** Polymetron 8350/51**R1** Rosemount/Emerson 389**R2** Rosemount/Emerson 385+**R4** Rosemount/Emerson TUpH 396/396VP, 398/398VP**R5** in-line Rosemount/Emerson TUpH Combination 396P/PVP (manual only)**R6** Rosemount/Emerson TUpH Combination 396P/PVP**R9** Rosemount/Emerson 3300HT/HTVP**RA** Rosemount/Emerson 3500VP**RB** Rosemount/Emerson RB-546**RC** Rosemount/Emerson 3900/3900VP**T1** ABB TB556, flat glass, 38 mm insertion depth**T2** ABB TB557, flat glass**T3** ABB TB564, flat glass**T4** ABB TB561 / Barben 551/561, flat glass, 100 mm insertion depth**T5** in-line ABB TB564 (manual only), flat glass**T6** in-line ABB TB561 (manual only), flat glass, 100 mm insertion depth**T7** ABB TB556, flat glass, 28 mm insertion depth**Y1** Yokogawa FU20 -- NPT (guarded tip)**Y2** Yokogawa FU20 -- FSM (flat glass)**Surface temperature**

Ambient temperature °C	Temperature class
70	T6
85	T5
120	T4

European Directive InformationATEX directive (94/9/EC)
Satron Instruments Inc. complies with the ATEX directive.European Pressure Equipment Directive (PED) (97/23/EC)
- Sound Engineering Practice**European Certification:**

SATRON PASVE pH Mounting & Service Valve

01.11.2016

Selection Table																							
PASVE pH																							
Mounting type										Wetted parts (C, B and P)													
C	Welded on a container or a horizontal pipe (*)									Code	Material												
B	Welded on a container or a vertical pipe, body 15°									2	AISI316L (EN 1.4404), std.												
P	Body with a weld neck (**)									3	Hastelloy® C276 (EN 2.4819)												
F	Flange mounting									4	AISI904L (EN 1.4539)												
T	Flow-through body, threaded connection									6	Titanium Ti-2 (EN 3.7035)												
D	Flow-through body, flange connection									8	Duplex (EN 1.4462)												
										K	254 SMO®												
Process connection type, specified for mounting type F																							
Flanges						Flanges						Wetted parts											
Code	Type					Code	Type					Code	Material										
T	DN50 PN40 (***)					A	ANSI 3"/150 lbs					2	AISI316L (EN 1.4404)										
D	DN80 PN40					B	ANSI 3"/300 lbs					3	Hastelloy® C276 (EN 2.4819)										
J	DN100 PN10/16					H	ANSI 4"/150 lbs					4	AISI904L (EN 1.4539)										
C	DN100 PN40					G	ANSI 4"/300 lbs					6	Titanium Ti-2 (EN 3.7035)										
K	ANSI 2½"/150 lbs (***)					E	JIS 10K 80					8	Duplex (EN 1.4462)										
						F	JIS 40K 80					K	254 SMO®										
											P1	PVDF PN10 (***)											
(P1 only suitable for flange codes D,A,E)																							
Process connection type, specified for mounting type T																							
Threads										Wetted parts													
Code	Type									Code	Material												
2	1" - NPT									2	AISI316L (EN 1.4404)												
4	1.5" - NPT									3	Hastelloy® C276 (EN 2.4819)												
5	2" - NPT									4	AISI904L (EN 1.4539)												
										6	Titanium Ti-2 (EN 3.7035)												
										8	Duplex (EN 1.4462)												
										K	254 SMO®												
Process connection type, specified for mounting type D																							
Flanges						Flanges						Wetted parts											
Code	Type					Code	Type					Code	Material										
G	DN25 PN40					U	ANSI 2"/150					2	AISI316L (EN 1.4404)										
M	DN40 PN40					V	ANSI 2"/300					3	Hastelloy® C276 (EN 2.4819)										
T	DN50 PN40					K	JIS 10K 25					4	AISI904L (EN 1.4539)										
H	ANSI 1"/150					R	JIS 10K 40					6	Titanium Ti-2 (EN 3.7035)										
J	ANSI 1"/300					S	JIS 10K 40					8	Duplex (EN 1.4462)										
N	ANSI 1.5"/150					X	JIS 10K 50					K	254 SMO®										
P	ANSI 1.5"/300					L	JIS 40K 25																
						Y	JIS 40K 50																
Seals																							
0	PTFE + 20C + 5Gr / FPM (std.)									4	PTFE + 20C + 5Gr / FPM+AISI316 / PTFE 50 % (Hard)												
1	PTFE 100% / FPM									5	PTFE 100% / FPM+AISI316 / PTFE 50% (Hard)												
2	PTFE +20C+5Gr / FFPM									6	PTFE 100% / FPM + PVDF 100% (Hard)												
3	PTFE 100% / FFPM									7	PTFE + 20C + 5Gr / EPDM												
										8	PTFE 100% / EPDM												
Sensor connection																							
Sensor connection types, see page 3																							
Pt100 temperature sensor																							
0	No sensor																						
X	With sensor (Measuring range -50 ... +200°C)																						
Actuator																							
MD	No actuator (manually operated)									AE1	Electric actuator 230 V 50 Hz												
AD	Double-action actuator									AE3	Electric actuator 115 V 60 Hz												
AS	Spring-return actuator									A0	No actuator, fittings to the actuator												
Solenoid for actuator (only for actuator types AD and AS)																							
0	No solenoid valve									2	24 V DC 2.5 W (also EEx dm)						4	28 V DC 0.4 W (EEx ia)					
1	230 V AC 50 Hz 2 W (as standard)									3	115 V AC 60 Hz 2 W												
Solenoid explosion proof																							
0	No explosion proof																						
1	EEx m II T5									2	EEx ia IIC T6 (only 28V)												
										3	EEx dm IIC T5/T6 (only 24V)												
Position switches																							
0	None																						
X	Equipped with position switches																						
E	Position switch NAMUR, DIN 19234																						
Special options (not available for all configurations, ask for compatibility)																							
Z1	For oxygen use									Z4	Cutting ball												
Z2	Process side flushing									Z5	Diamond-coated ball												
Z3	Actuator (AS) reverse action									Z7	Process side flushing through the ball, only Ø12 / L = 120mm sensors												
Documentation																							
Installation and operating instructions																							
IE	English																						
IF	Finnish																						
Material certificates										(*) = Pipe Ø>DN60 with disassembly before welding, more information on manual page 10													
0	No material certificate											(**) = Body can be shaped to fit pipe with Ø>DN70											
MC1	SFS-EN 10204-2.1 (DIN50049-2.1)											(***) = Only available with manual operation MD											
MC2	SFS-EN 10204-2.2 (DIN50049-2.2)																						
MC3	SFS-EN 10204-3.1B (DIN50049-3.1B)																						

Specification example: PASVE pH D U2 0 O2 X AD3 1 E Z1 IEMC1



PASVE® DUAL is mounting and service valve for two pH sensors of diameter 12 mm. It can be used with practically all pH sensors in this size category.

PASVE® DUAL allows the cleaning and calibration of pH sensors without stopping the process. When required, this can be done automatically. To protect the sensor in abrasive processes, it can be turned to the measuring position only for the duration of the actual measurement.

PASVE® DUAL is available in a manually operated type or equipped with a pneumatic or electric actuator.

TECHNICAL SPECIFICATIONS

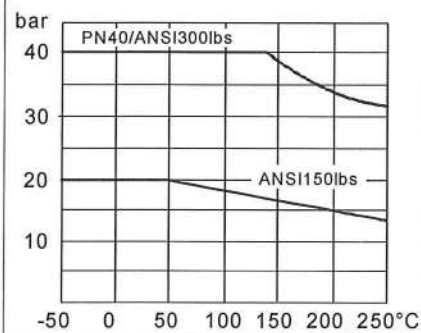
Applicable pH sensors

Refer to the Selection Table.

Max. operating pressure/ temperature

40 bar, 250 °C, (see the appended table). Min. operating temp. -50°C. Sensor-specific limitations should also be taken into account in applications.

Pressure/Temperature curve



Materials

Wetted parts: AISI316L, AISI904L, Titanium, Hastelloy®C276, Duplex, 254 SMO®.

Seals: PTFE, PTFE with carbon and graphite filling or PTFE 50%+AISI316 50% mixture

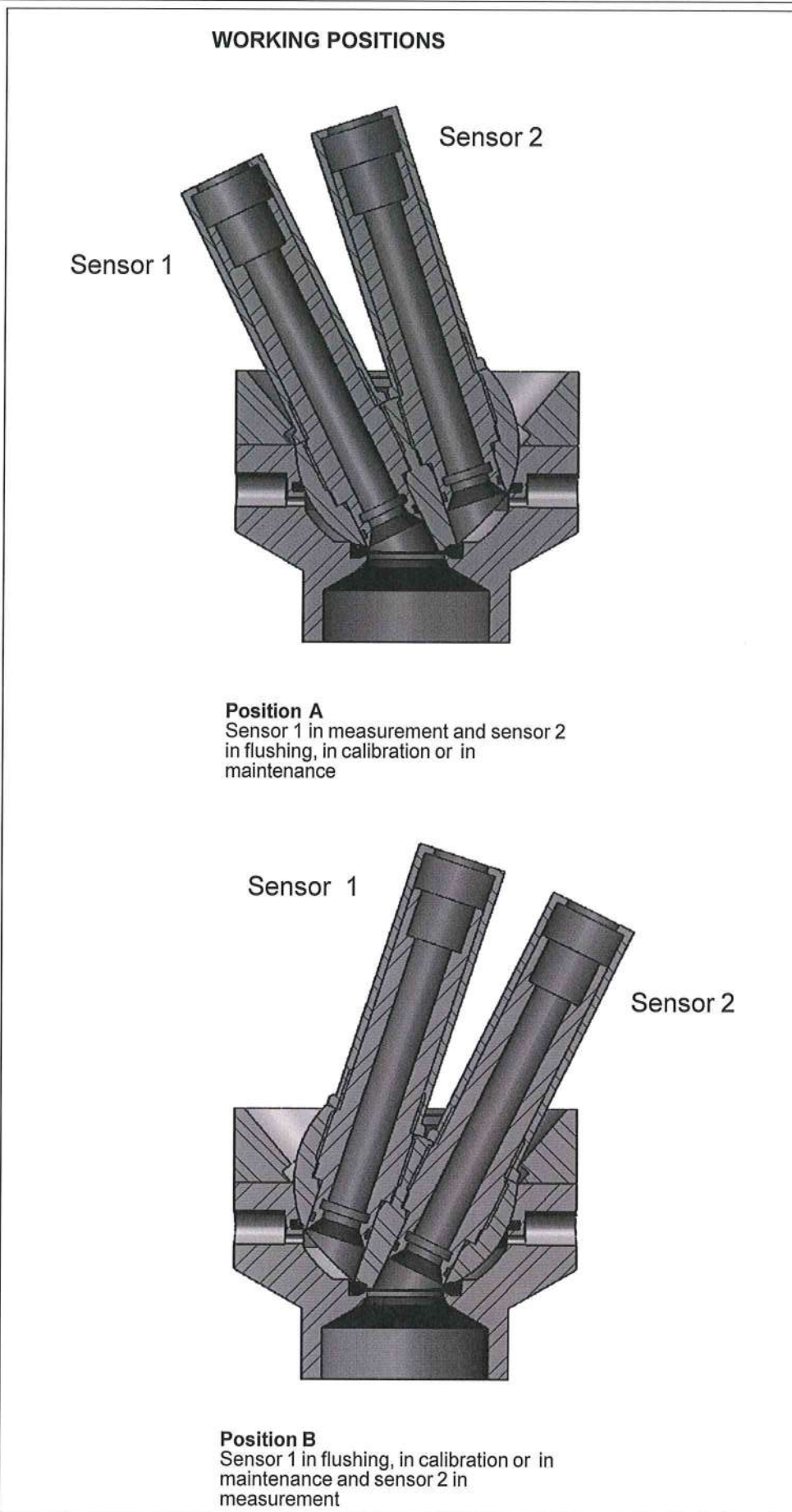
Weight

PASVE DUAL C 4,7 kg

PASVE DUAL B and P 4,8 kg

PASVE DUAL F 8,9 kg

Actuator 5,5 kg

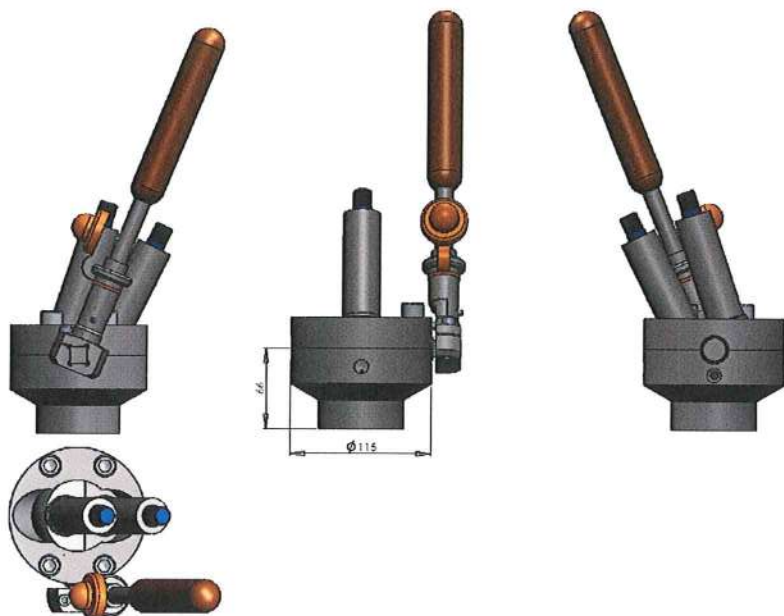


We reserve the right for technical modifications without prior notice.

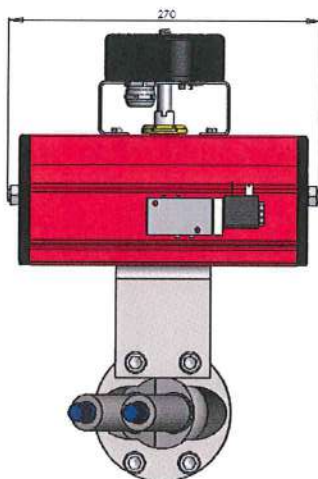
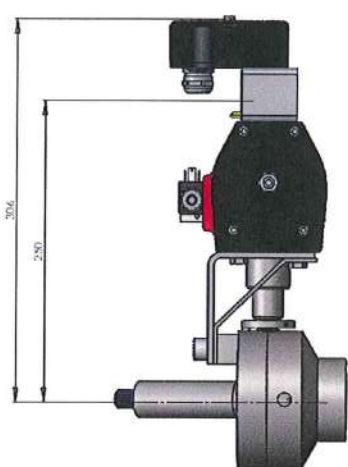
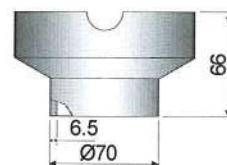


Pasve® is the registered trademark of Satron Instruments Inc.
Hastelloy® is the registered trademark of Haynes International.
254 SMO® is the registered trademark of Avesta Polarit AB.
Teflon® is the registered trademark of E.I. du Pont de Nemours & Co.

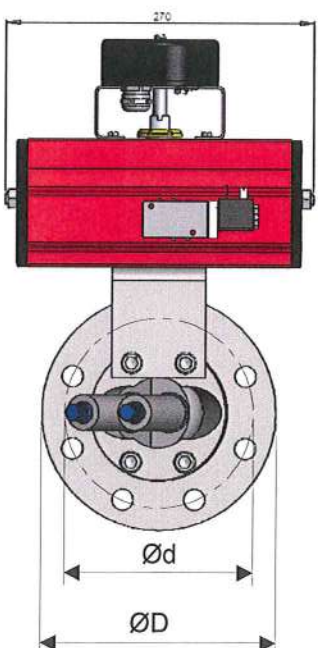
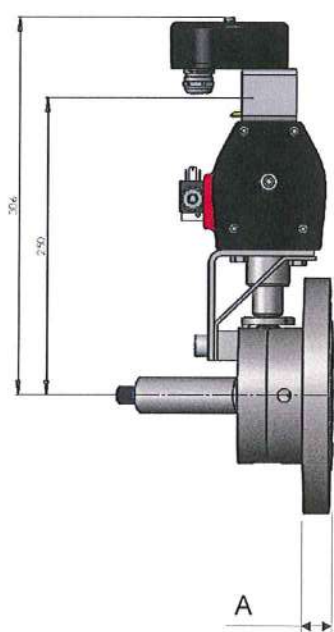
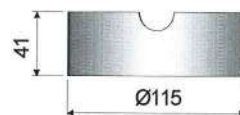
Dimensions (in mm)



PASVE DUAL P
(Shape the body to be suitable to the pipe, welded)



PASVE DUAL C
(Welded on container or horizontal pipe)

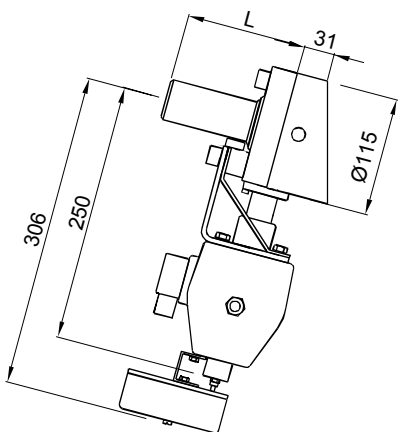


PASVE DUAL F
(Flange type)

PASVE DUAL F

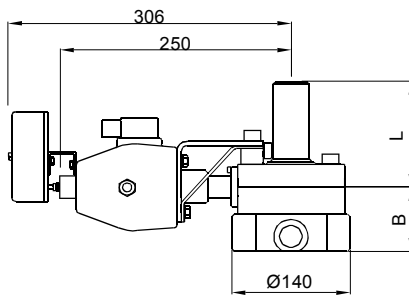
Code	Flange (a) Type	ØD	Ød	A
A	ANSI 3" 150 lbs	191	152.4	22
B	ANSI 3" 300 lbs	210	168.3	27
H	ANSI 4" 150 lbs	229	190.5	26
G	ANSI 4" 300 lbs	254	200	29
D	DN80 PN40	200	160	22
J	DN100 PN10/16	220	180	22
C	DN100 PN40	235	190	26
E	JIS10K 80	185	150	20
F	JIS40K 80	210	170	30

PASVE DUAL B
(Welded on container or vertical pipe, body 15°)

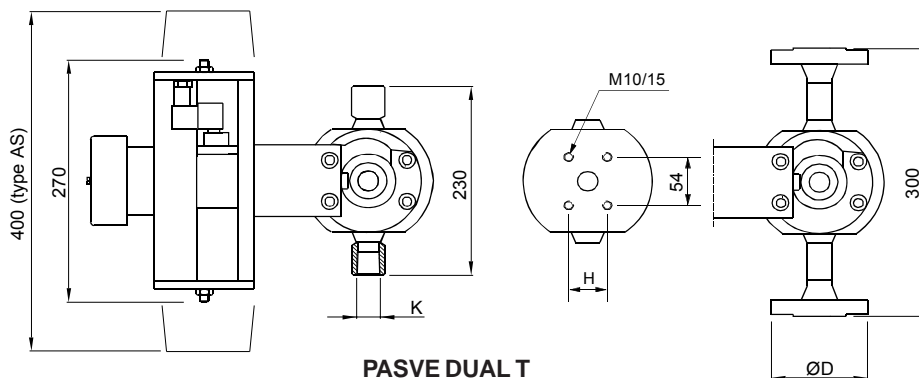
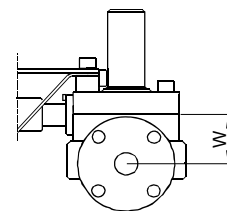


L depends on the sensor type

PASVE DUAL T
(Flow-through, threaded connection)



PASVE DUAL D
(Flow through, flange connection)



PASVE DUAL D

FLANGE		W	ØD	H
Code	Type			
H	ANSI 1" 150 lbs	55	108	48
J	ANSI 1" 300 lbs	55	124	48
U	ANSI 2" 150 lbs	68	153	76
V	ANSI 2" 300 lbs	68	165	76
G	DN25 PN40	55	115	48
T	DN50 PN40	68	165	76

PASVE DUAL T

THREAD		B	H
Code	Type (dim.K)		
2	1" - NPT	77	48
4	1.5" - NPT	92	64
5	2" - NPT	104	76

Dimensions (in mm)

Surface temperature

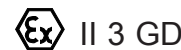
Ambient temperature °C	Temperature class
70	T6
85	T5
120	T4

European Directive Information

ATEX directive (94/9/EC)
Satron Instruments Inc. complies with the ATEX directive.

European Pressure Equipment Directive (PED) (97/23/EC)
- Sound Engineering Practice

European Certification:



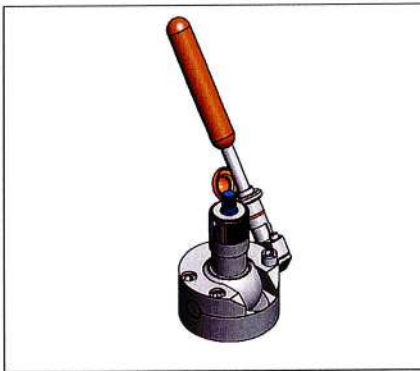
Sensor connection

Code	Sensor
A	Standard sensor connection PG13.5 / Ø12 / length 120 mm



Selection Table																			
PASVE DUAL																			
Mounting type										Wetted parts (C, B and P)									
C	On container or horizontal pipe, welded									Code	Material								
B	On container or vertical pipe, body 15°, welded									none	AISI316L (std.)								
P	Shape the body to be suitable to the pipe, welded									3	Hastelloy® C276								
F	On flange									4	AISI904L								
T	Flow-through, threaded connection									6	Titanium								
D	Flow-through, flange connection									8	Duplex (EN 1.4462)								
										K	254 SMO®								
Process connection type, specified for mounting type F																			
Flanges					Flanges					Wetted parts									
Code	Type				Code	Type				Code	Material								
T	DN50 PN40 (only manual using)				H	ANSI 4"/150 lbs				2	AISI316L								
D	DN80 PN40				G	ANSI 4"/300 lbs				3	Hastelloy®C276								
J	DN100 PN10/16				E	JIS 10K 80				4	AISI904L								
C	DN100 PN40				F	JIS 40K 80				6	Titanium								
A	ANSI 3"/150 lbs									8	Duplex (EN 1.4462)								
B	ANSI 3"/300 lbs									K	254 SMO®								
Process connection type, specified for mounting type T																			
Threads										Wetted parts									
Code	Type									Code	Material								
2	1" - NPT									2	AISI 316L								
4	1.5" - NPT									3	Hastelloy® C276								
5	2" - NPT									4	AISI904L								
										6	Titanium								
										8	Duplex (EN 1.4462)								
										K	254 SMO®								
Process connection type, specified for mounting type D																			
Flanges					Flanges					Wetted parts									
Code	Type				Code	Type				Code	Material								
G	DN25 PN40				U	ANSI 2"/150				2	AISI316L								
M	DN40 PN40				V	ANSI 2"/300				3	Hastelloy®C276								
T	DN50 PN40				K	JIS 10K 25				4	AISI904L								
H	ANSI 1"/150				R	JIS 10K 40				6	Titanium								
J	ANSI 1"/300				S	JIS 10K 40				8	Duplex (EN 1.4462)								
N	ANSI 1.5"/150				X	JIS 10K 50				K	254 SMO®								
P	ANSI 1.5"/300				L	JIS 40K 25													
					Y	JIS 40K 50													
Seals																			
0	PTFE + 20C + 5Gr / FPM (std.)									4	PTFE + 20C + 5Gr / FPM+AISI316 / PTFE 50 % (Hard)								
1	PTFE 100% / FPM									5	PTFE 100% / FPM+AISI316 / PTFE 50% (Hard)								
2	PTFE +20C+5Gr / FFPM									6	PTFE 100% / FPM + PVDF 100% (Hard)								
3	PTFE 100% / FFPM																		
Sensor connection																			
A	PG13,5 / Ø12 / 120 mm																		
Pt100 temperature sensor																			
0	No sensor																		
X	With sensor (Measuring range -50 ... +200°C)																		
Actuator																			
MD	No actuator (manually operated)									AE1	Electric actuator 230 V 50 Hz								
AD	Double-action actuator									AE3	Electric actuator 115 V 60 Hz								
AS	Spring-return actuator									A0	No actuator, fittings to the actuator								
Solenoid for actuator (only for actuator types AD and AS)																			
0	No solenoid valve									2	24 V DC 2.5 W (also EEx dm)			4	28 V DC 0.4 W (EEx ia)				
1	230 V AC 50 Hz 2 W (as standard)									3	115 V AC 60 Hz 2 W								
Solenoid explosion proof																			
0	No explosion proof									2	EEx ia IIC T6 (only 28V)								
1	EEx m II T5									3	EEx dm IIC T5/T6 (only 24V)								
Position switches																			
0	None									A	Position switch EEX ib IIC T5/T6								
X	Equipped with position switches																		
E	Position switch NAMUR, DIN 19234																		
Special options																			
Z1	For oxygen use									Z5	Diamond-coated ball								
Z2	Process side flushing																		
Z3	Actuator (AS) reverse action																		
Documentation																			
Installation and operating instructions										Material certificates									
IE	English									0	No material certificate								
IF	Finnish									MC1	SFS-EN 10204-2.1 (DIN50049-2.1)								
										MC2	SFS-EN 10204-2.2 (DIN50049-2.2)								
										MC3	SFS-EN 10204-3.1B (DIN50049-3.1B)								

Specification example: PASVE DUAL C 2 0 A X AD3 1 E Z5 IEMC1



PASVE® pH-U is a mounting/service valve for Ø12 mm pH sensors. It can be used with practically all pH sensors in this size category.

PASVE® pH-U allows the cleaning and calibration of pH sensors without stopping the process. When required, this can be done automatically. To protect the sensor in abrasive processes, it can be turned to the measuring position only for the duration of the actual measurement.

PASVE® pH-U is available in a manually operated type or equipped with a pneumatic or electric actuator.

TECHNICAL SPECIFICATIONS

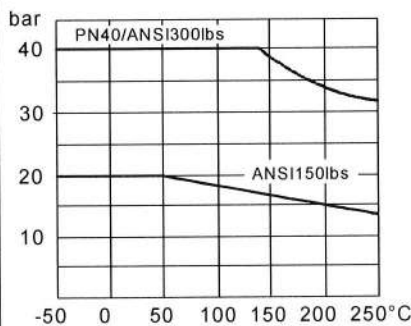
Applicable pH sensors

Refer to the Selection Table.

Max. operating pressure/temperature

40 bar, 250 °C, (see the appended table). Min. operating temp. -50°C. Sensor-specific limitations should also be taken into account in applications.

Pressure/Temperature curve



Materials

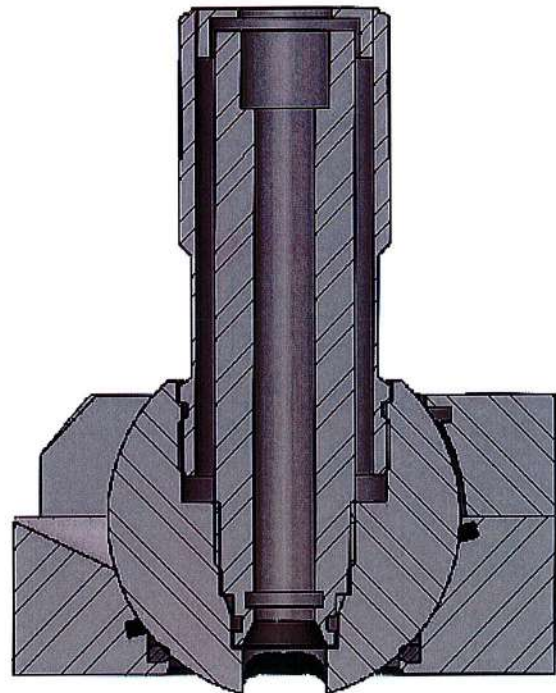
Wetted parts: AISI316L, AISI904L, Titanium, Hastelloy® C276, Duplex, 254 SMO®.

Seals: PTFE, PTFE with carbon and graphite filling or PTFE 50%+AISI316 50% mixture

Weight

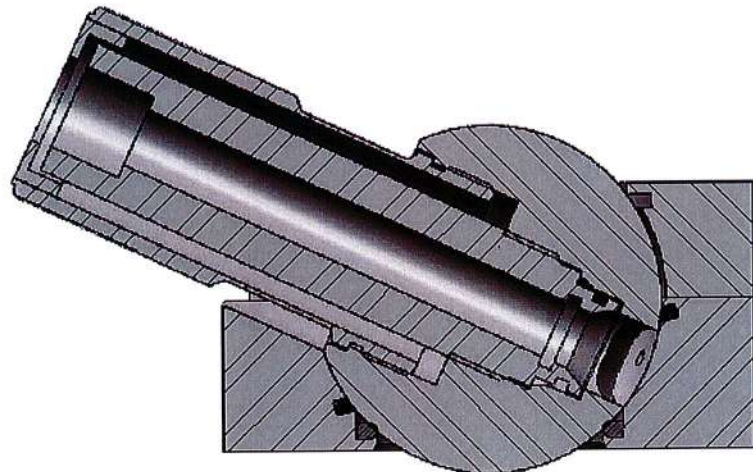
PASVE pH-UB 4,8 kg
PASVE pH-UC 4,7 kg
PASVE pH-UP 4,8 kg
 Actuator 5,5 kg

WORKING POSITIONS



Measuring position

Sensor in measurement. Valve's and sensor's water cooling through flushing channel.



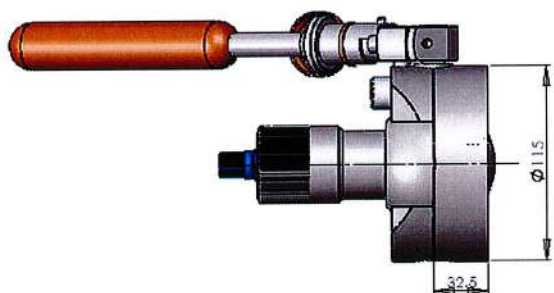
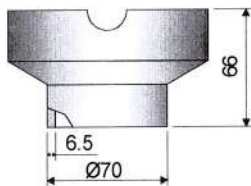
Servicing and calibration position

Sensor turned to cleaning, calibrating and protective position without stopping the process.

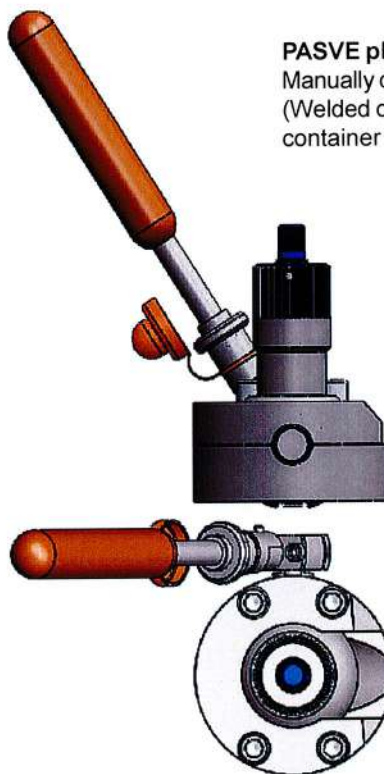
We reserve the right for technical modifications without prior notice.

Dimensions (in mm)

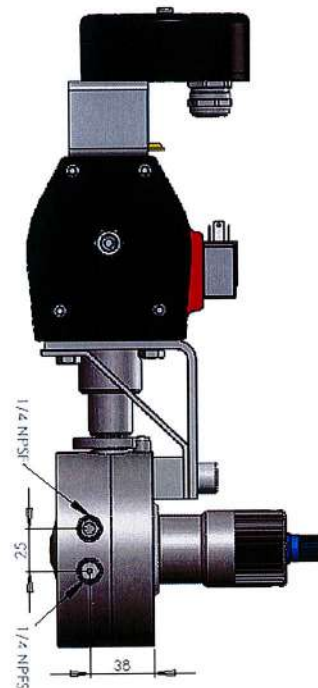
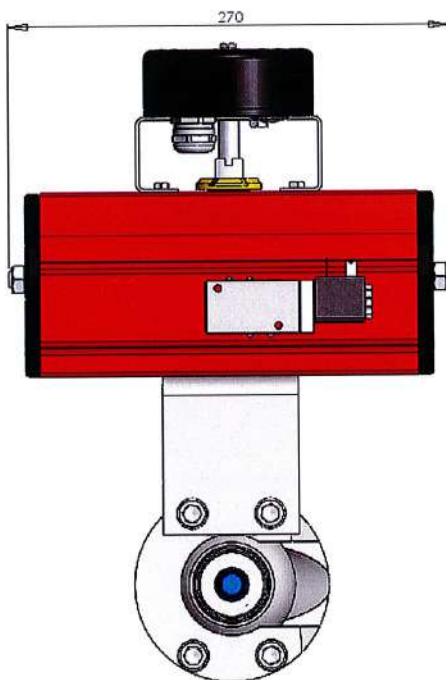
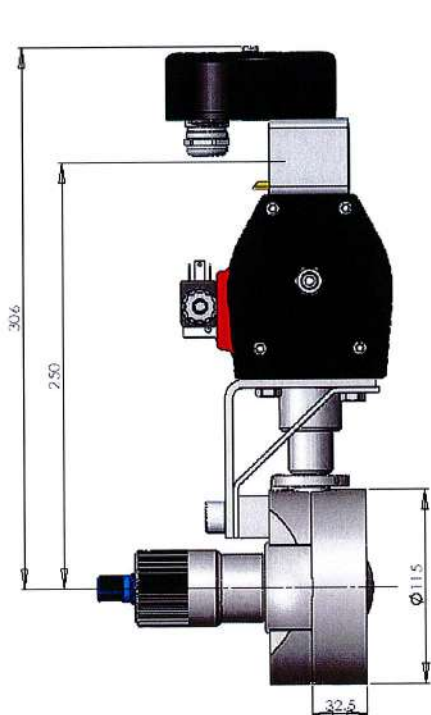
PASVE pH-U P
(Shape the body to be suitable to the pipe, welded)



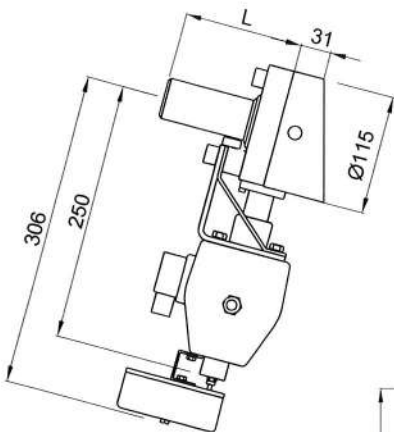
PASVE pH-U C,
Manually operated (MD)
(Welded on container or)



PASVE pH-U C,
Double-action actuator (AD)
(Welded on container or horizontal pipe)

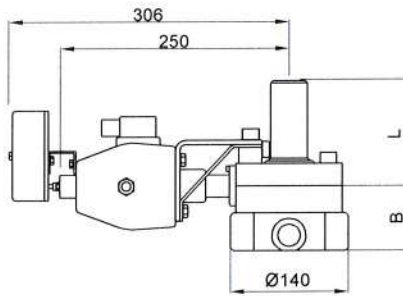


PASVE pH-U B
(Welded on container or vertical pipe, body 15°)

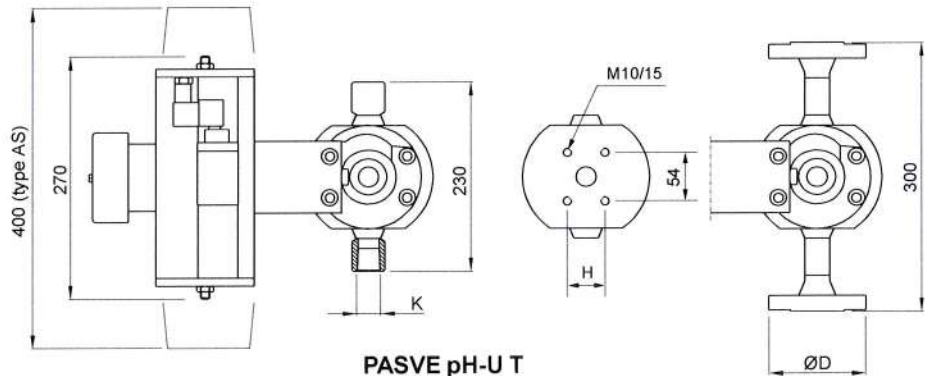
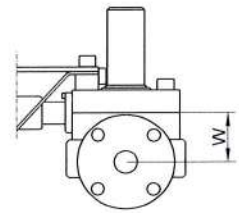


L depends on the sensor type

PASVE pH-U T
(Flow-through, threaded connection, mounting type T)



PASVE pH-U D
(Flow through, flange connection, mounting type D)



PASVE pH-U D

FLANGE		W	ØD	H
Code	Type			
H	ANSI 1" 150 lbs	55	108	48
J	ANSI 1" 300 lbs	55	124	48
U	ANSI 2" 150 lbs	68	153	76
V	ANSI 2" 300 lbs	68	165	76
G	DN25 PN40	55	115	48
T	DN50 PN40	68	165	76

PASVE pH-U T

THREAD		B	H
Code	Type (dim.K)		
2	1" - NPT	77	48
4	1.5" - NPT	92	64
5	2" - NPT	104	76

Dimensions (in mm)

Surface temperature

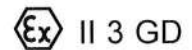
Ambient temperature °C	Temperature class
70	T6
85	T5
120	T4

European Directive Information

ATEX directive (94/9/EC)
Satron Instruments Inc. complies with the ATEX directive.

European Pressure Equipment Directive (PED) (97/23/EC)
- Sound Engineering Practice

European Certification:



Sensor connection

Code	Sensor
A	Standard sensor connection PG13.5 / Ø12 / length 120 mm



Selection Table

PASVE pH-U Mounting type		Wetted parts (C, B and P)	
C	On container or horizontal pipe, welded	Code	Material
B	On container or vertical pipe, body 15°, welded	2	AISI316L (EN 1.4404) (std.)
P	Shape the body to be suitable to the pipe, welded	3	Hastelloy® C276 (EN 2.4819)
T	Flow-through, threaded connection	4	AISI904L (EN 1.4539)
D	Flow-through, flange connection	6	Titanium Ti-2 (EN 3.7035)
		8	Duplex (EN 1.4462)
		K	254 SMO®
Process connection type, specified for mounting type T			
Threads		Wetted parts	
Code	Type	Code	Material
2	1" - NPT	2	AISI316L (EN 1.4404) (std.)
4	1.5" - NPT	3	Hastelloy® C276 (EN 2.4819)
5	2" - NPT	4	AISI904L (EN 1.4539)
		6	Titanium Ti-2 (EN 3.7035)
		8	Duplex (EN 1.4462)
		K	254 SMO®
Process connection type, specified for mounting type D			
Flanges		Flanges	
Code	Type	Code	Type
G	DN25 PN40	U	ANSI 2"/150
M	DN40 PN40	V	ANSI 2"/300
T	DN50 PN40	K	JIS 10K 25
H	ANSI 1"/150	R	JIS 10K 40
J	ANSI 1"/300	S	JIS 10K 40
N	ANSI 1.5"/150	X	JIS 10K 50
P	ANSI 1.5"/300	L	JIS 40K 25
		Y	JIS 40K 50
Wetted parts			
Code	Material		
2	AISI316L (EN 1.4404) (std.)		
3	Hastelloy® C276 (EN 2.4819)		
4	AISI904L (EN 1.4539)		
6	Titanium Ti-2 (EN 3.7035)		
8	Duplex (EN 1.4462)		
K	254 SMO®		
Seals			
0	PTFE + 20C + 5Gr / FPM (std.)	4	PTFE + 20C + 5Gr / FPM+AISI316 / PTFE 50 % (Hard)
1	PTFE 100% / FPM	5	PTFE 100% / FPM+AISI316 / PTFE 50% (Hard)
2	PTFE +20C+5Gr / FFPM	6	PTFE 100% / FPM + PVDF 100% (Hard)
3	PTFE 100% / FFPM		
Sensor connection			
A	PG13,5 / Ø12 / 120 mm		
Pt100 temperature sensor			
0	No sensor		
X	With sensor (Measuring range -50 ... +200°C)		
Actuator			
MD	No actuator (manually operated)	AE1	Electric actuator 230 V 50 Hz
AD	Double-action actuator	AE3	Electric actuator 115 V 60 Hz
AS	Spring-return actuator	A0	No actuator, fittings to the actuator
Solenoid for actuator (only for actuator types AD and AS)			
0	No solenoid valve	2	24 V DC 2.5 W (also EEx dm)
1	230 V AC 50 Hz 2 W (as standard)	3	115 V AC 60 Hz 2 W
4		4	28 V DC 0.4 W (EEx ia)
Solenoid explosion proof (only for actuator types AD and AS)			
0	No explosion proof	2	EEx ia IIC T6 (only 28V)
1	EEx m II T5	3	EEx dm IIC T5/T6 (only 24V)
Position switches			
0	None	A	Position switch EEx ib IIC T5/T6
X	Equipped with position switches		
E	Position switch NAMUR, DIN 19234		
Special options			
Z1	For oxygen use	Z5	Diamond-coated ball
Z3	Actuator (AS) reverse action		
Documentation			
Installation and operating instructions		Material certificates	
IE	English	0	No material certificate
IF	Finnish	MC1	SFS-EN 10204-2.1 (DIN50049-2.1)
		MC2	SFS-EN 10204-2.2 (DIN50049-2.2)
		MC3	SFS-EN 10204-3.1B (DIN50049-3.1B)

Specification example: PASVE pH-U C 2 0 A X AD3 1 E Z1 IEMC1

Hastelloy is the registered trademark of Haynes International.

254 SMO is the registered trademark of Outokumpu Stainless Inc.

Pasve is the registered trademark of Satron Instruments Inc.



PASVE SC/SF/SH/SP/ST Sampling Valve

The PASVE® SC/SF/SH/SP/ST is a miniature ball valve which readily accepts commercially available septum hygienic rubbers. The PASVE® SC/SF/SH/SP/ST provides you with the opportunity of taking hygienic samples from your process without interrupting the process.

The PASVE® SC/SF/SH/SP/ST can be used in any industrial process where it is necessary obtain a sample from the process which is not influenced or contaminated from any outside disturbances.

The PASVE® SC/SF/SH/SP/ST is a member of the Satron PASVE® Series, which is commonly used with pH probes, oxygen sensors and Satron's high precision patented pressure and level transmitters.



Technical Specifications

Material

Housing: AISI316L

Gasket: PTFE / Silicone rubber seal

Max. process pressure:

10 bar (150 psi)

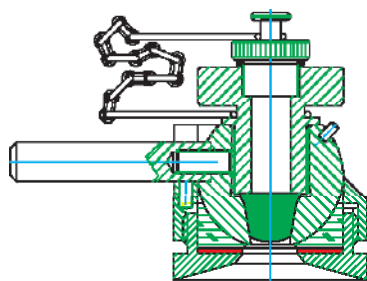
(subject to type of rubber septum selected)

Max. process temperature:

120 °C (250 °F) (subject to type of rubber septum selected)

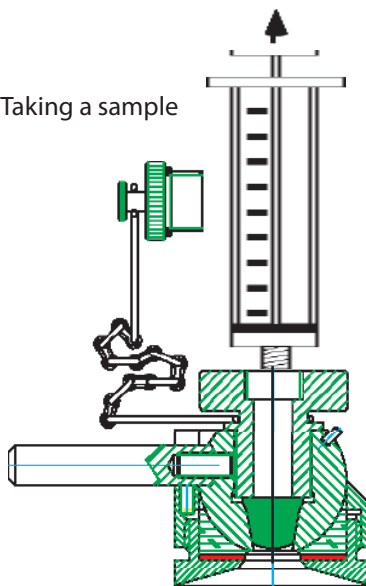
Operation

Position of taking a sample

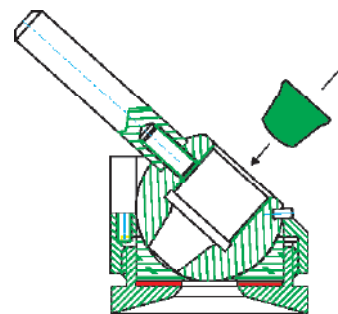


PROCESS

Taking a sample

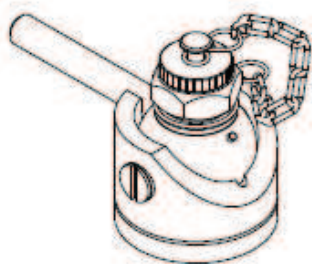
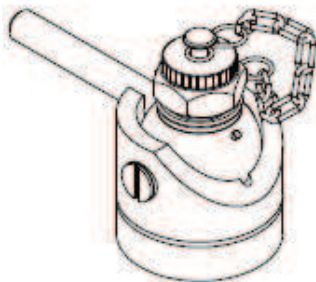
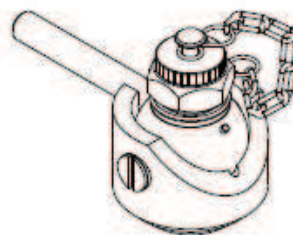
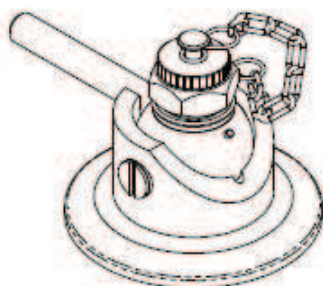


Changing the rubber septum

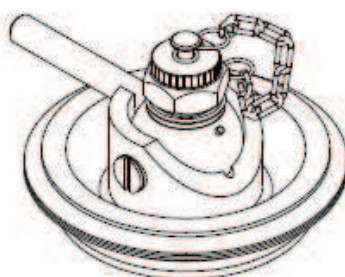


PASVE is the registered trademark of Satron Instruments Inc.

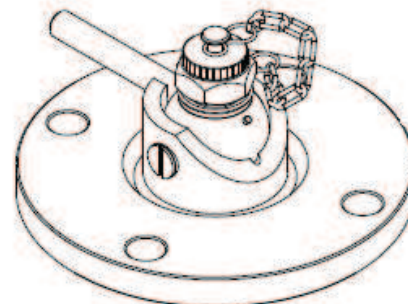
We reserve the right for technical modifications without prior notice.

**PASVE SC****PASVE SC - 10****PASVE SP****PASVE SH**

- Tri-Clamp, sizes DN25/DN38 and DN40/51

**PASVE ST**

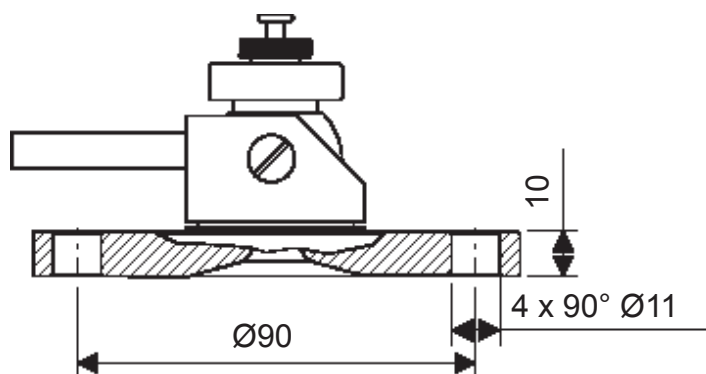
- Tuchenhagen, sizes DN25/DN32 and DN40/DN50

**PASVE SF**

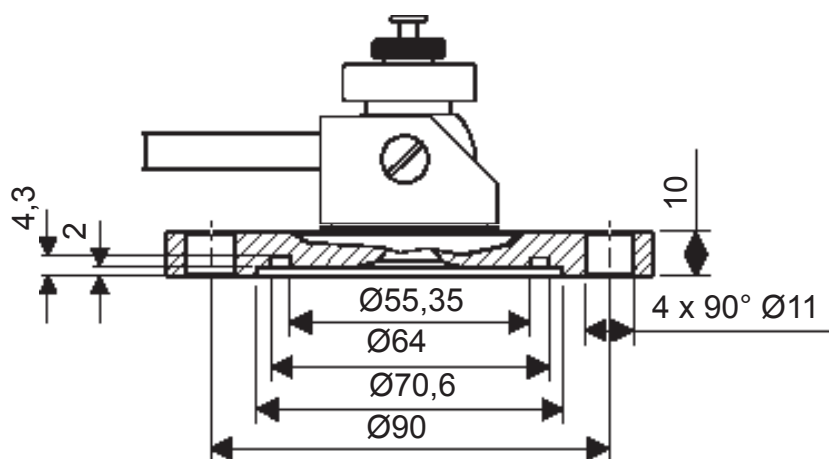
- Flange SF D110 APV-FN1-50
- Flange SF D110

Dimensions (in mm)**PASVE SF**

- Flange SF D110
- Outer diameter of flange is 110 mm

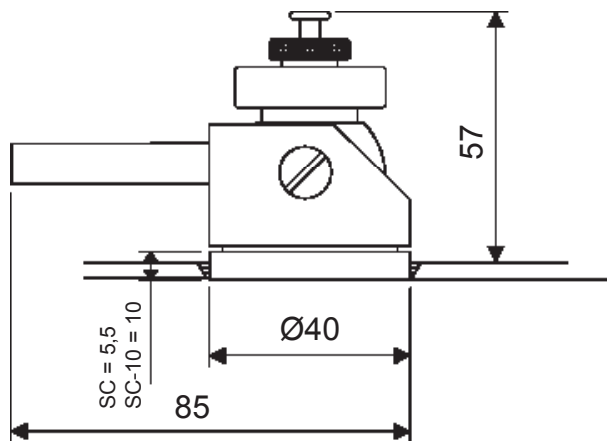
**PASVE SF**

- Flange SF D110 APV-FN1-50
- Outer diameter of flange is 110 mm

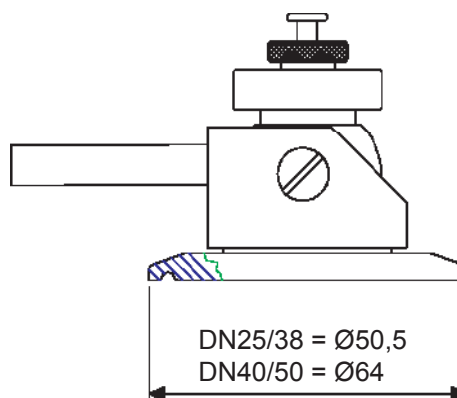


PASVE SC/SF/SH/SP/ST Sampling Valve

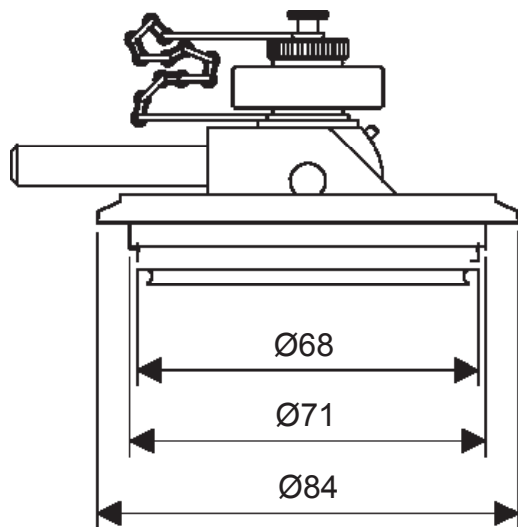
Dimensions (in mm)



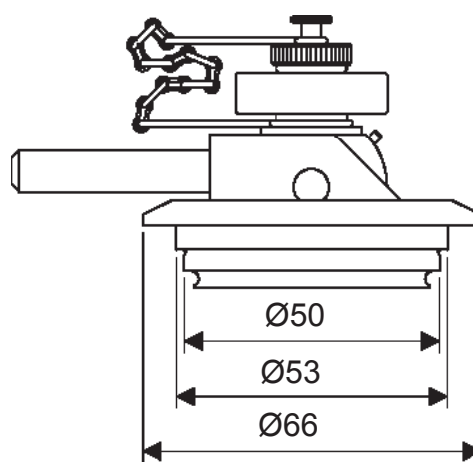
PASVE SC
and SC - 10



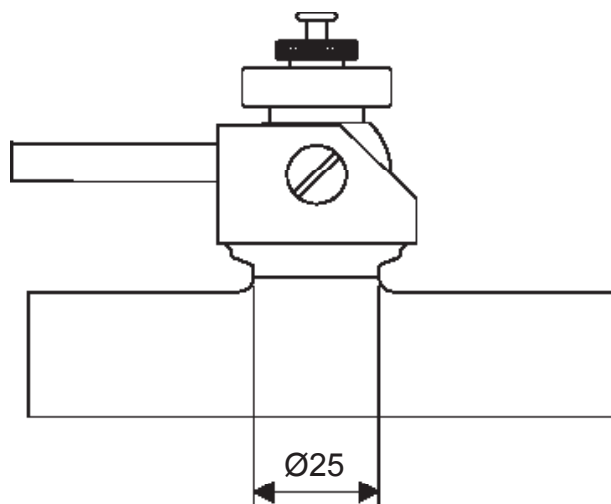
PASVE SH (Tri-Clamp)
- Sizes DN25/38 and DN40 / 51



PASVE ST (Tuchenhagen)
- Size DN40 / 50

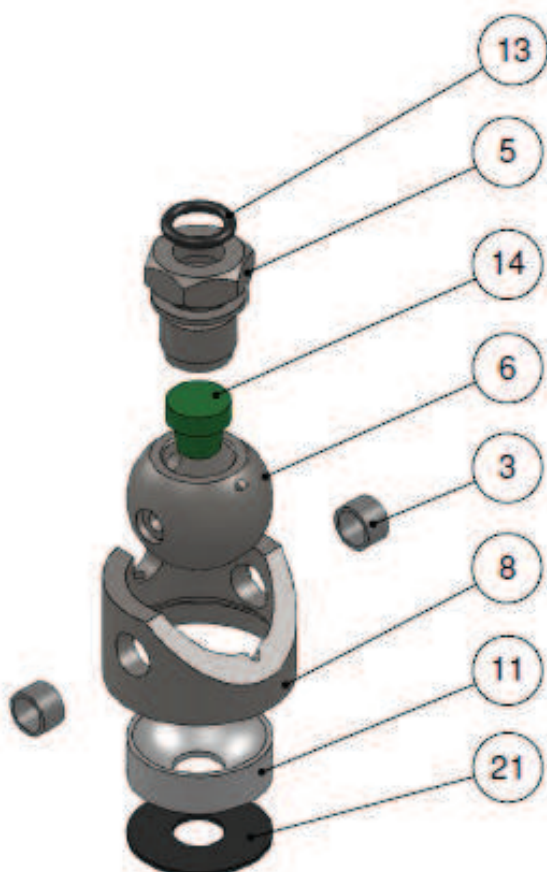


PASVE ST (Tuchenhagen)
- Size DN25 / 32



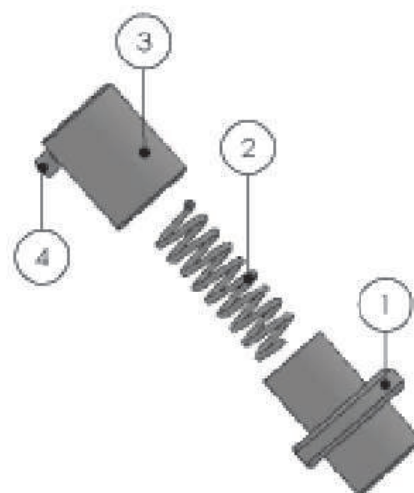
PASVE SP

Upgrade kit



Part no.	Part name	Order code
3	Bearing	V10103004
5	Special nut V	T1010344
6	Valve ball V	T1010342
8	Valve body LV	T1010343
11	Gasket	V10103012
13	O-ring Ø11,3 x 2,4 NBR	80001101
14	Rubber septum	V10103014
21	Rubber seal	T1010331
Upgrade kit, assembly		M1010043

Protection kit

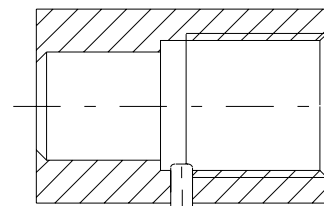
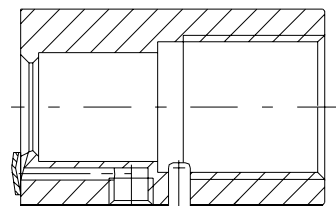
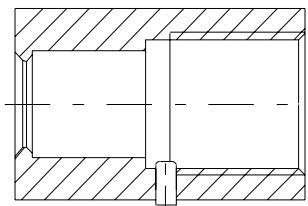


Part no.	Part name	Order code
1	Pull-out sleeve	T1010338
2	Spring	T1010341
3	Locking sleeve	T1010339
4	Retaining screw M4x4 DIN916 A4	53002440
Protection kit 2, assembly		M1010042

Mounting couplings for Satron VG transmitter

G150
10.2.2015

Thread and clamp couplings



Standard coupling G1

Order codes:

- AISI316L M546197
- Duplex M5461978
- Hastelloy C276 M5461973
- Titanium M5461976

Standard coupling G1 with cleaning

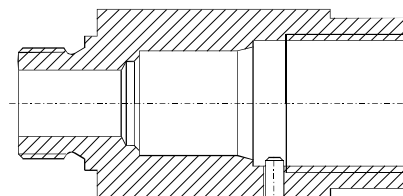
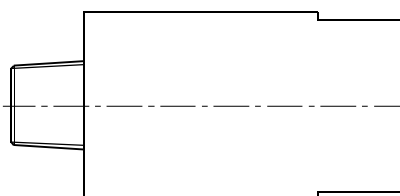
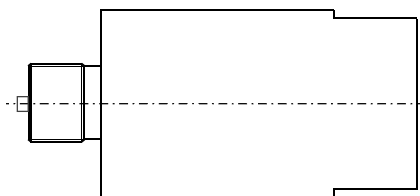
Order codes:

- AISI316L M1050020
- Duplex M10500208
- Hastelloy C276 M10500203
- Titanium M10500206

Hygienic coupling G1

Order codes:

- AISI316L M548101
- Duplex M5481018
- Hastelloy C276 M548102
- Titanium M548103



Coupling G1 / G $\frac{1}{2}$ A

Order code:

- AISI316L M546190

Coupling G1 / $\frac{1}{2}$ -NPT

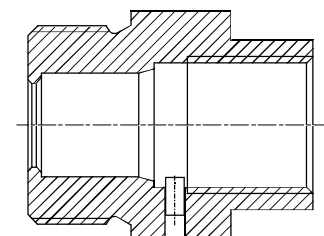
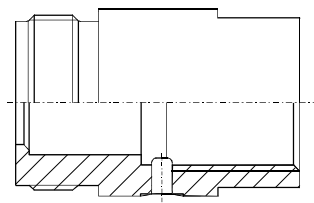
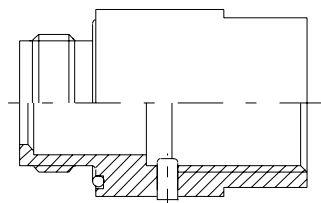
Order code:

- AISI316L M551566

Coupling G1 / G $\frac{3}{4}$ A

Order code:

- AISI316L T1050218



Coupling G1 / G1A

Order codes:

- AISI316L M1050002
- Hastelloy C276 M10500023

Coupling G1 / G1 $\frac{1}{4}$ A

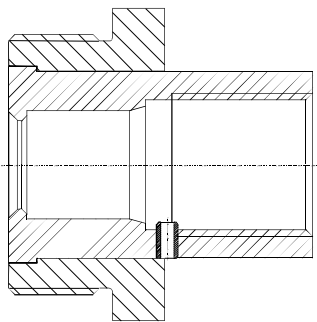
Order code:

- AISI316L M1050014

Coupling G1 / G1 $\frac{1}{2}$ A

Order code:

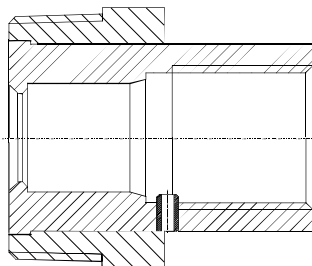
- AISI316L T1050214



Coupling G1 / G2A

Order code:

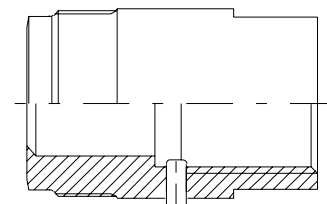
- AISI316L M1050036



Coupling G1 / 2-NPT

Order code:

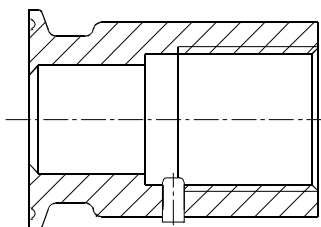
- AISI316L M1050028



Coupling G1 / M44 x 1,25 (PMC)

Order codes:

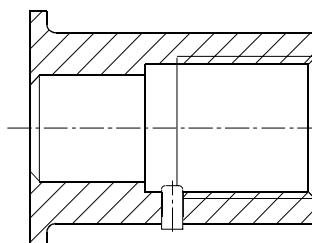
- AISI316L M1050004
 - Hastelloy C276 M10500043



Coupling G1 / Hygienic coupling ISO2852 standard:

Order codes (AISI316L):

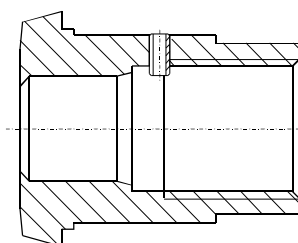
- Tri-Clamp 25/38 M1050206
 - Tri-Clamp 40/51 M1050222
 - Tri-Clamp 63,5 M1050224
 - Tri-Clamp 70 M1050225
 - Tri-Clamp 76,1 M1050226
 - Tri-Clamp 88,9 M1050227
 - Tri-Clamp 101,6 M1050228
 - Tri-Clamp 114,3 M1050229
 - Tri-Clamp 139,7 M1050230



Coupling G1 / Hygienic coupling SMS standard:

Order codes (AISI316L):

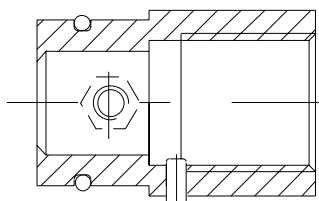
- SMS 38 M1050265
 - SMS 51 M1050267



Coupling G1 / Hygienic coupling DIN11851/11887 standards:

Order codes (AISI316L):

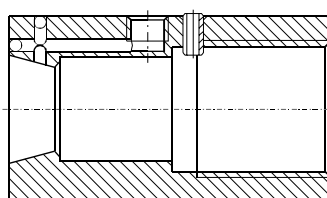
- DN40 M1050312
 - DN50 M1050313
 - DN65 M1050314



Coupling G1 / PMC 1,5"

Order codes:

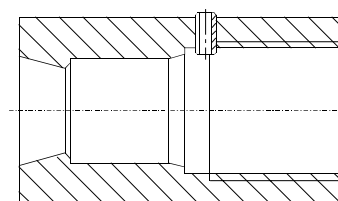
- AISI316L M1050010
 - Hastelloy C276 M10500103



Extended coupling G1 with cleaning

Order code:

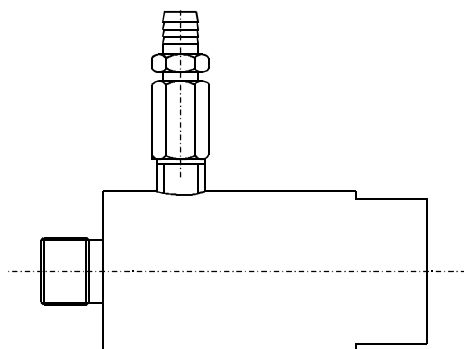
- AISI316L M1050293



Extended coupling G1

Order codes:

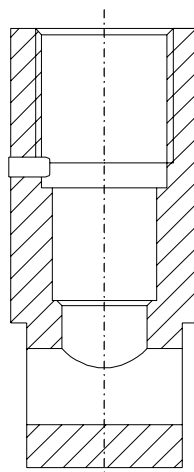
- AISI316L M1050292
 - Hastelloy C276 M10502923



Coupling G1 / G $\frac{1}{2}$ A + drain valve

Order code:

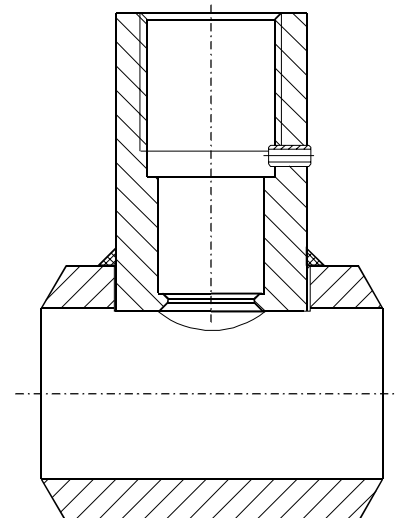
- AISI316L M860280



Coupling G1 for pipes
DN15 - DN25 and clean
liquids

Order codes (AISI316L):

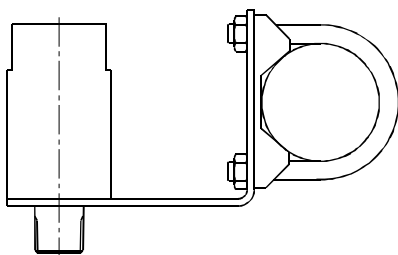
- DN15 M1050295
- DN20 M1050296
- DN25 M1050297



Coupling G1 for pipes
DN15 - DN40

Order codes (AISI316L):

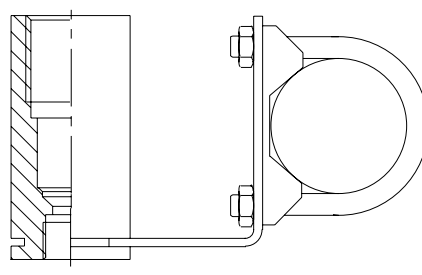
- DN15 M105001615
- DN20 M105001620
- DN25 M105001625
- DN32 M105001632
- DN40 M105001640



Coupling G1 / G $\frac{1}{2}$ A (male)
with mounting bracket

Order code:

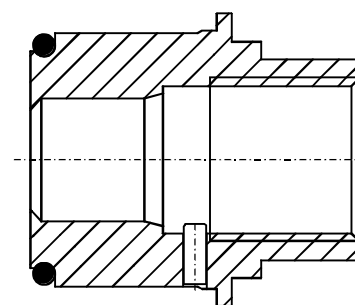
- AISI316L M546195



Coupling G1 / G $\frac{1}{2}$ (female)
with mounting bracket

Order code:

- AISI316L M550393



Coupling G1 / Ø52,5 L=38
(SMS nut fixing, size 38,
thread 60 x 1/6)

Order code:

- AISI316L M1050575

Coupling G1 / $\frac{1}{2}$ - NPT
(male) with mounting bracket

Order code:

- AISI316L M1050017

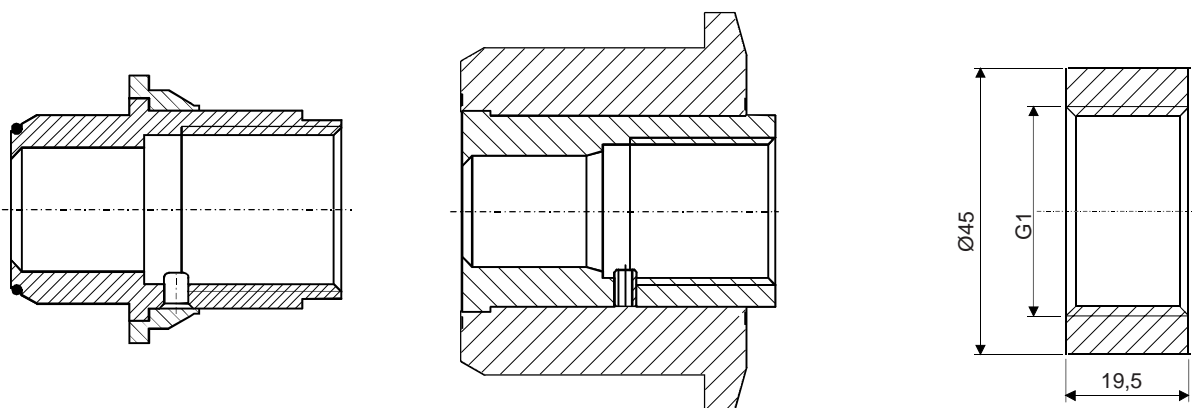
Coupling G1 / $\frac{1}{2}$ - NPT
(female) with mounting
bracket

Order code:

- AISI316L M550393N

Mounting couplings for Satron VG transmitter

G150
10.2.2015



Coupling G1 / SMS-SI

- with extension

Order codes (AISI316L):

- SMS-SI38 M1050012
- SMS-SI51 M1050126

Coupling G1 / Sandvik-clamp

- Extension length 54,5 mm

Order codes:

- AISI316L M1050037
- Duplex M10500378
- Hastelloy C276 M10500373

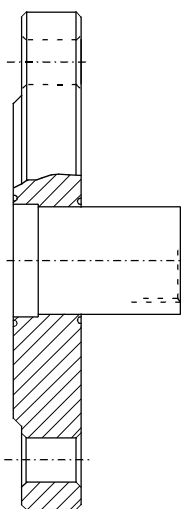
Thread sleeve G1

(eg. for coupling M1050002)

Order codes:

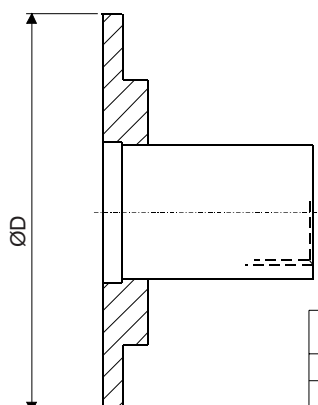
- AISI316L M1050220
- Hastelloy C276 M10502203

Flange couplings



FLANGE TYPE	COUPLING TYPE					
	G1 std.	G1 std. HC	G1 hyg.	G1 hyg. HC	G1 Exi	G1 Exi HC
	ORDER CODE	ORDER CODE	ORDER CODE	ORDER CODE	ORDER CODE	ORDER CODE
DN25 PN40	M548832	M5488323	M548833	M5488333	M548834	M5488343
DN40 PN40	M551267	M5512673	M551268	M5512683	M552361	M5523613
DN50 PN40	M860282	M8602823	M548830	M5488303	M548831	M5488313
DN80 PN40	M860281	M8602813	M548828	M5488283	M548829	M5488283
DN100 PN40	M552364	M5523643	M5523640	M55236403	M5523641	M55236413
ANSI1"150LBS	M552365	M5523653	M5523650	M55236503	M5523651	M55236513
ANSI1"300LBS	M548861	M5488613	M548862	M5488623	M548863	M5488633
ANSI2"150LBS	M552367	M5523673	M5523670	M55236703	M5523671	M55236713
ANSI2"300LBS	M548864	M5488643	M548865	M5488653	M548866	M5488663
ANSI3"150LBS	M551564	M5515643	M5515640	M55156403	M5515641	M55156413
ANSI3"300LBS	M548867	M5488673	M548868	M5488683	M548869	M5488693
ANSI4"150LBS	M552371	M5523713	M5523710	M55237103	M5523711	M55237113
ANSI4"300LBS	M552372	M5523723	M5523720	M55237203	M5523721	M55237213
FOR GASKET CHANNEL : (DIN 2512N)						
DN25 PN40	M548825	M5488253	M548826	M5488263	M548827	M5488273
DN50 PN40	M548822	M5488223	M548823	M5488233	M548824	M5488243
DN80 PN40	M548819	M5488193	M548820	M5488203	M548821	M5488213

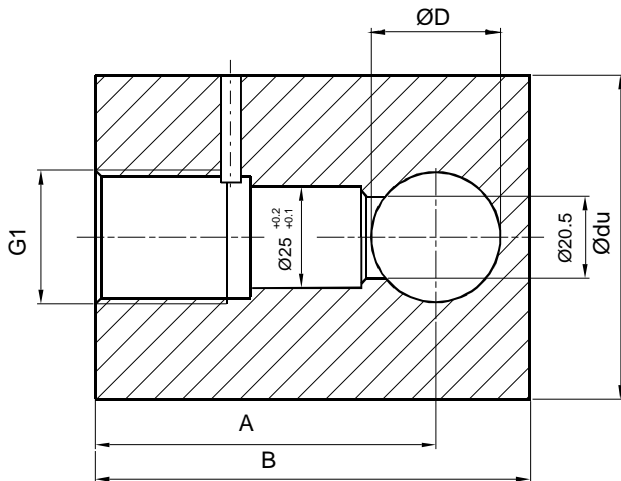
Multidimensional flange coupling



Ø D	COUPLING TYPE					
	G1 std.	G1 std. HC	G1 hyg.	G1 hyg. HC	G1 Exi	G1 Exi HC
	ORDER CODE	ORDER CODE	ORDER CODE	ORDER CODE	ORDER CODE	ORDER CODE
Ø 92	M1050030	M10500303	M1050031	M10500313	M1050032	M10500323
Ø 127	M1050033	M10500333	M1050034	M10500343	M1050035	M10500353

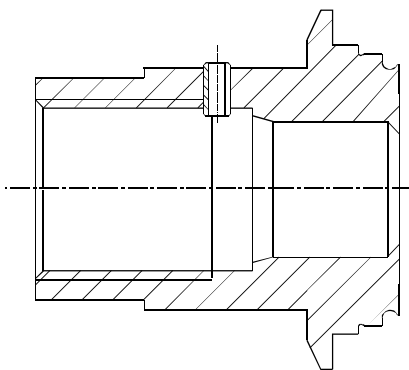
Mounting couplings for Satron VG transmitter

G150
10.2.2015



Pipe size	Dim. Ødu	Dim. A	Dim. B	Dim. ØD	Order code	Material
DN15	80	80	96	20 +0.5 +0.2	M1050303xx	Should be mentioned in the order
DN20	80	83	101	25 +0.5 +0.2	M1050304xx	Should be mentioned in the order
DN25	80	86	108	32 +0.5 +0.2	M1050305xx	Should be mentioned in the order
DN32	80	91	117	40 +0.5 +0.2	M1050306xx	Should be mentioned in the order
DN40	100	95	127	50 +0.5 +0.2	M1050307xx	Should be mentioned in the order
DN50	100	103	141	63 +0.5 +0.2	M1050308xx	Should be mentioned in the order

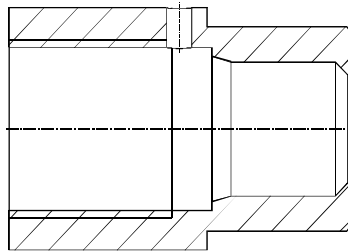
Plastic coupling G1 for plastic pipes DN15 - DN50



Coupling G1 / Varivent TN

Order code (AISI316L):

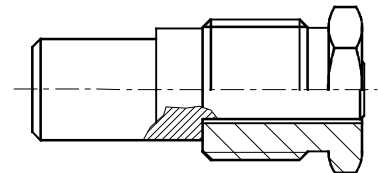
- DN25 M1050090
- DN50/40 M1050091
- DN80/65 M1050092



Hygienic Coupling G1 / Ø38

Order code:

- AISI316L M1050577
- Hastelloy C M1050577HC

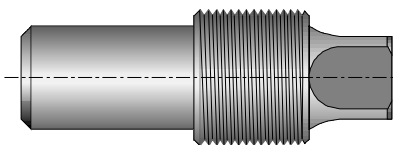


Seal plug assembly for Satron coupling G1

By seal plug the coupling can be closed tightly.

Order code:

- AISI316L M550405
- EHEDG M1050389



Welding assistant for Satron coupling G1.

It is always recommendable to use the welding assistant while welding the coupling to prevent any distortions due to heat.

Order code:

- Brass M1050420



Special adapter for Satron couplings G1.

By using this adapter it is possible to install the sensor head ca. 3mm deep into the coupling.

Order code:

- EN 1.4462 (Duplex) M1050294



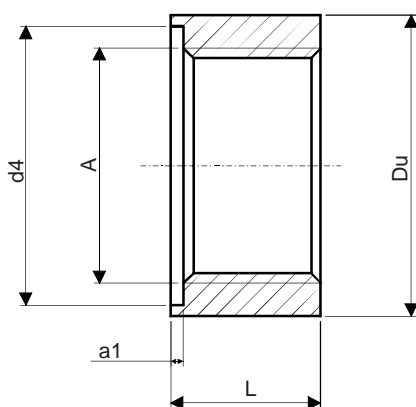
Seal for Satron couplings G1.

Enables to seal the leaking metal to metal taper.

Order code:

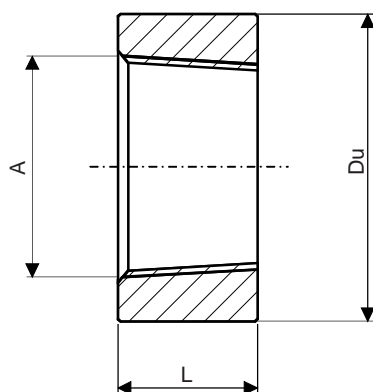
- PTFE T546022

Mounting couplings for Satron VT Transmitters



Process couplings with DIN 3852-X thread
Order code: AISI316L

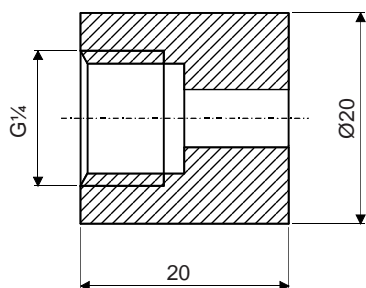
Order code	Thread A	Du $^{0}_{-0.5}$	Length L	d4	a1
M1050369	G $\frac{1}{2}$	Ø30	18,5	Ø27	2.5
M1050390	G1	Ø45	23.5	Ø40	2.5
M1050391	G $\frac{1}{2}$	Ø60	32.5	Ø56	2.5
M1050393	G $\frac{1}{2}$	Ø60	26.5	Ø56	2.5
M1050392	G2	Ø75	33	Ø69	3.0



Process couplings with NPT thread

Order code: AISI316L

Order code	Thread A	Du	Length L
M1050368	$\frac{1}{2}$ -14 NPT	Ø28	14
M1050500	$\frac{3}{4}$ -14 NPT	Ø35	16
M1050501	1 - 1 $\frac{1}{2}$ NPT	Ø44.5	20.5
M1050502	1 $\frac{1}{4}$ - 1 $\frac{1}{2}$ NPT	Ø57.5	20.5
M1050503	1 $\frac{1}{2}$ - 1 $\frac{1}{2}$ NPT	Ø63.5	20.5
M1050504	2 - 1 $\frac{1}{2}$ NPT	Ø76	20.5

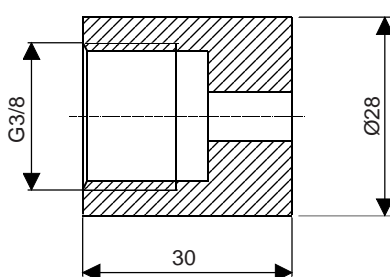


Process coupling DIN 16288 - G $\frac{1}{4}$

Order code:

- AISI316L

M1050366

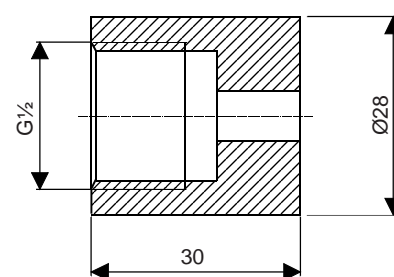


Process coupling G $\frac{1}{2}$

Order code:

- AISI316L

M1050316

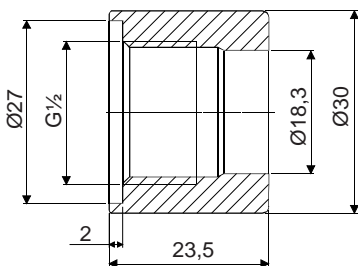


Process coupling DIN 16288 - G $\frac{1}{2}$

Order code:

- AISI316L

M1050367

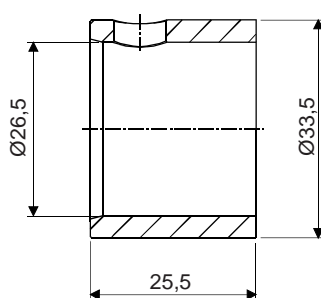


Process coupling DIN 3852 - X - G $\frac{1}{2}$, for transmitter with two o-ring

Order code:

- AISI316L

M1050515



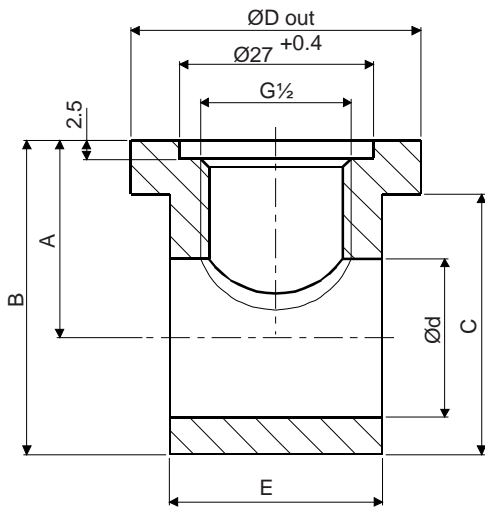
Process coupling PMC 1"

Order code:

- AISI316L

M1050300

Mounting couplings for Satron VT Transmitters

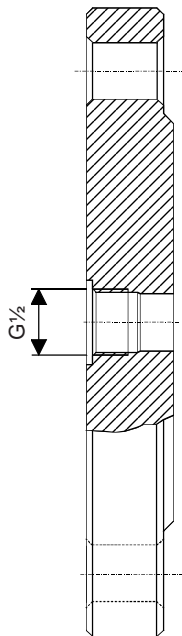


T-coupling DIN 3852-X-G $\frac{1}{2}$

Order codes: AISI316L

Pipe size	Dim. ØD out	Dim. A	Dim. B	Dim. C	Dim. $\text{Ø}d$	Dim. E	Order code
DN15	40	27.5	43.5	36	22 $\begin{smallmatrix} +0.2 \\ 0 \end{smallmatrix}$	29.5	M1050395
DN20	40	30.5	49	42	27.5 $\begin{smallmatrix} +0.3 \\ 0 \end{smallmatrix}$	26	M1050396
DN25	50	33.5	55.5	48	34 $\begin{smallmatrix} +0.5 \\ +0.2 \end{smallmatrix}$	29.5	M1050397

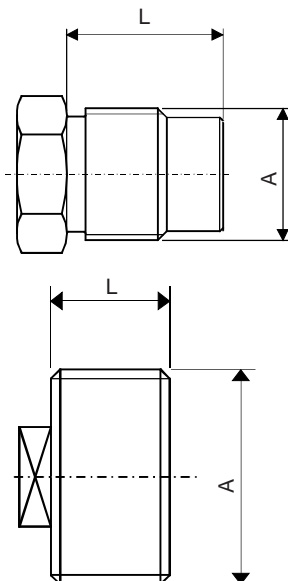
Other size, please contact Satron Instruments Inc.



Coupling flange DIN 3852-X-G $\frac{1}{2}$ - for the transmitter with two o-rings Tilaukkoodit: AISI316L

ORDER CODE	TYPE OF FLANGE
M1050517-DN25	DN 25 PN 40
M1050517-DN40	DN 40 PN 40
M1050517-DN50	DN 50 PN 40
M1050517-DN80	DN 80 PN 40
M1050517-DN100	DN 100 PN 16
M1050517-1-150	ANSI 1" 150 LBS
M1050517-1-300	ANSI 1" 300 LBS
M1050517-2-150	ANSI 2" 150 LBS
M1050517-2-300	ANSI 2" 300 LBS
M1050517-3-150	ANSI 3" 150 LBS
M1050517-3-300	ANSI 3" 300 LBS
M1050517-4-150	ANSI 4" 150 LBS
M1050517-4-300	ANSI 4" 300 LBS

Special flanges, please contact Satron Instruments Inc.



Welding assistant: Order codes

Order code	Thread A	Dim. L	Position, form and size
M1050516	$G\frac{1}{2}A$	25	6-k, AV22
M1050375	$G\frac{3}{4}A$	15	6-k, AV27
M1050371	$G1A$	20	6-k, AV36
M1050372	$G1\frac{1}{4}A$	35	4-k, AV22
M1050373	$G1\frac{1}{2}A$	35	4-k, AV22
M1050374	$G2A$	35	4-k, AV22



Satron Instruments Inc.
P.O.Box 22, FI-33901 Tampere, Finland
Tel. +358 207 464 800, Fax +358 207 464 801
www.satron.com

We reserve the right for technical modifications without prior notice.

HART® is a registered trademark of HART Communication Foundation.
Viton® is the registered trademark of DuPont Down Elastomers.



The hydraulic pressure seal helps to solve many installation problems caused, for instance, by high temperatures, sedimentation and crystallization. Toxicity of the process medium or some other effect that can be harmful to the environment may also require the isolation of the process from its surroundings. DN50, DN80 and ANSI3 hydraulic pressure seals are suitable for pressure measurements in open and closed vessels.

General instructions

Make sure that there are good reasons for using a pressure seal. The best way to connect pressure measurement to process is impulse piping.

We recommend applying the following general instructions:

- seal size standardization (see Figure 1); DN80 or ANSI3" up from measuring ranges 60 mbar
DN50 or ANSI2" up from measuring ranges 400 mbar
- protect capillary tubes and flanges (see Protecting the equipment and Temperature effect)
- use the same size of seal flanges for both (+) and (-) flanges
- use the same lengths of capillary tubes for differential pressure measurements
- check the zero point after installation

By observing these instructions you can avoid many factors of inaccuracy caused by the seal principle; a liquid in sealed state undergoes volume and viscosity changes when its temperature changes.

Choosing the suitable equipment

The factors to be considered when choosing the measuring device and hydraulic pressure seal include volumetric displacements, negative pressure limitations and temperature effect.

The volumetric displacement capacity of the hydraulic pressure seal must be sufficient. The magnitude of volumetric displacements can be calculated by summing the measuring device's volumetric displacement with that caused by thermal expansion of the fill fluid. The result must not exceed the hydraulic pressure seal's volumetric displacement capacity. More information can be found in the technical specifications of measuring devices and hydraulic pressure seals.

Special attention will be required if type DN50 and ANSI2" pressure seals are used at pressures below 400 mbar, and type DN70, DN80 and ANSI3" pressure seals at pressures below 60 mbar. Type DN50 and ANSI2" seals are not recommended for ranges below 150 mbar, and type DN70, DN80 and ANSI3" seals for ranges below 25 mbar.

Connecting the measuring device to the hydraulic pressure seal

Pressure gauge or limit switch is connected to the hydraulic pressure seal with an adapter base or capillary tube. When using an adapter connection, the temperature of the process medium must not exceed 60°C.

Differential pressure transmitter is always connected through capillary tube. The connection between hydraulic pressure seal and measuring device must be made with correct methods. When deciding on the connection method you should take into account the fact that gaseous media and moisture normally absorbed in the fill fluid will exit the fluid. It is recommendable to have the hydraulic pressure seals filled and connected by SATRON INSTRUMENTS INC.

Protecting the equipment

Hydraulic pressure seals, capillary tubes and measuring device should be protected against low temperatures and temperature variations. Low ambient temperatures will cause a lag in the measurement, while temperature variations will change the zero setting.

Capillary tubes can be protected with thermal insulation. Electric resistance elements or steam heating can also be used as protective methods.

Temperature effect on measuring speed and accuracy

Stiffening and thermal expansion of the fill fluid limit the permissible ambient temperature range. The properties of fill fluids determine the ambient temperatures that suit the hydraulic pressure seal connection.

Temperature effect is defined as combined zero and span effect. 95% of total effect consist of zero effect and the remaining 5 % of span effect.

Calibration

Factory-filled hydraulic pressure seal assemblies are adjusted for the values specified by the customer.

During the adjustment procedure the pressure seals and transmitters are at equal height. The calibration temperature is 20°C.

When defining the calibration values you must take into account the difference in height between seal flanges and transmitter, because the hydrostatic pressure of the fill fluid affects the zero adjustment. Zero suppression and elevation can be determined as shown in examples 1 and 2.

The temperatures of capillary tubes, transmitter and pressure seal flanges affect the zero. The coefficients given in the technical specifications can be utilized

when defining the calibration values for a specific temperature distribution. The total effect of seal flange locations and temperature distribution on zero suppression can be determined by summing the partial effects. The signs must be taken into account in the calculations.

Installation

The measuring device, capillary tubes and hydraulic pressure seal comprise a calibrated assembly whose connections should not be opened. For this reason the installation and equipment should be planned so that opening the connections will not be necessary during installation.

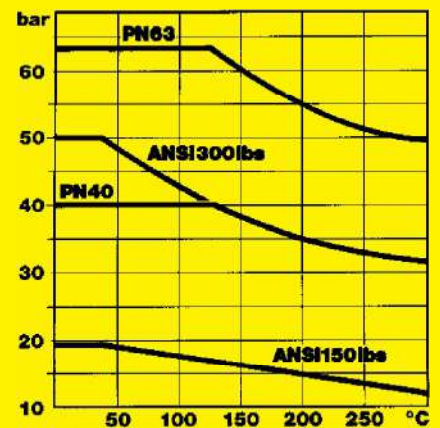


Figure 1: Permissible pressure on seal flange at different temperatures

Example 1: Open vessel (Fig. 2)

Span p_1 , is as follows:

$$P_1 = h_1 \rho g$$

$$= 3.50 \text{ m} \times 980 \text{ kg/m}^3 \times 9.81 \text{ m/s}^2$$

$$= 33.6 \text{ kPa}$$

Zero suppression p_2 is as follows:

$$P_2 = (h_2 \rho + h_3 \rho_0) \times g$$

$$= (1.00 \text{ m} \times 980 \text{ kg/m}^3 + 0.90 \text{ m} \times 960 \text{ kg/m}^3 \times 9.81 \text{ m/s}^2$$

$$= 18.1 \text{ kPa}$$

Example 2: Closed vessel (Fig. 3)

Span p_1 , is as follows:

$$P_1 = h_1 \rho g$$

$$= 3.50 \text{ m} \times 980 \text{ kg/m}^3 \times 9.81 \text{ m/s}^2$$

$$= 33.6 \text{ kPa}$$

Zero elevation (suppression) p_2 is as follows:

$$P_2 = (h_3 - h_4) \rho_0 g + h_2 \rho g =$$

$$(0.90 - 6.00) \text{ m} \times 960 \text{ kg/m}^3 \times 9.81 \text{ m/s}^2 + 1.00 \text{ m} \times 980 \text{ kg/m}^3 \times 9.81 \text{ m/s}^2$$

$P_2 = -38.4 \text{ kPa}$ (negative result = elevated-zero range)

h_1 = difference in height between maximum and minimum level

(3.50 m)

h_2 = height of minimum level from (+) - flange (1.00 m)

h_3 = difference in height between (+)- flange and transmitter (0.90m)

h_4 = difference in height between (-)-flange and transmitter (6.00 m)

ρ = density of measured fluid (980 kg/m³)

ρ_0 = density of fill fluid (960 kg/m³)

g = acceleration of gravity (9.81 m/s²)

NOTE: If transmitter is higher than the (+)-flange, the difference h_3 will have a negative value.

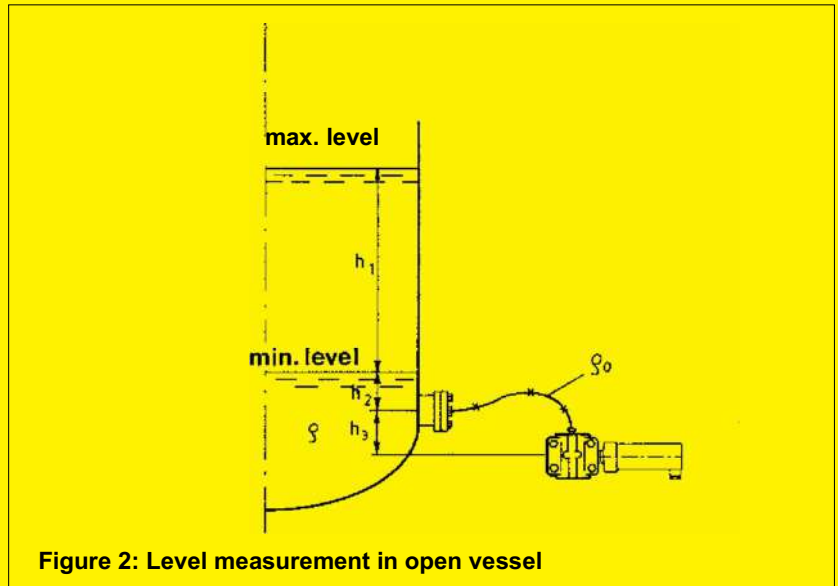


Figure 2: Level measurement in open vessel

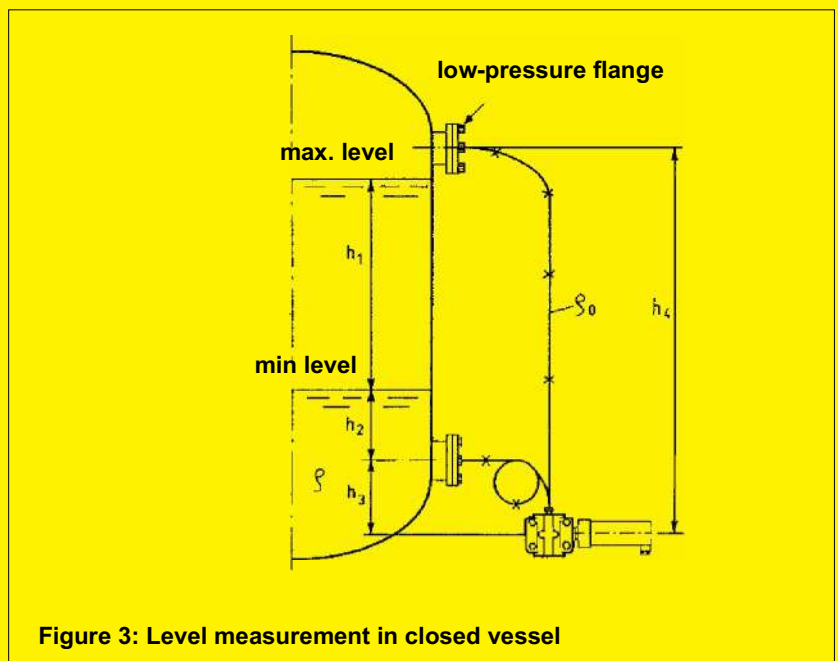


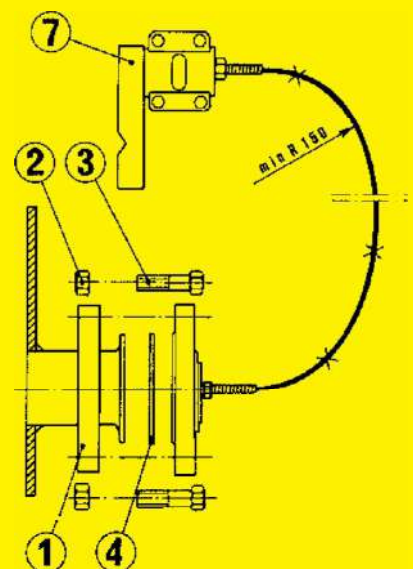
Figure 3: Level measurement in closed vessel

Installation

Measuring device, capillary tubes and hydraulic pressure seal comprise a calibrated assembly whose connections should not be opened. For this reason the installation and equipment should be planned so that opening the connections will not be necessary during installation.

Table: Mounting accessories (Fig.4)

1. Process flange DN80
2. Nut M16, AISI 316
3. Hex. screw M16 x 70
4. Gasket DN80
7. Mounting bracket



Questionnaire for choosing the hydraulic pressure seal

Customer: _____

Address: _____

1. Process medium

Name and analysis: _____

Density: _____

Material for wetted parts: _____

2. Process pressure specification

Pressure (differential pressure): _____

Pressure variation limits: _____ frequency: _____

Maximum static pressure: _____

Maximum overload pressure: _____

Any negative pressures?: _____ yes _____ no

3. Operating temperatures

3.1 Temperatures during measurement

Process: _____ °C Variation: _____ °C to _____ °C

Ambient: _____ °C Variation: _____ °C to _____ °C

Measuring device: _____ °C Variation: _____ °C to _____ °C

3.2 Highest temperature when equipment is not in measurement (e.g. during cleaning): _____ °C

3.3 Lowest absolute pressure and simultaneous temperature at hydraulic pressure seal:

_____ mbar (abs) _____ °C

4. Capillary tubes

Length: _____ m, Number of pressure seals: _____

Heating: _____ yes, _____ no, Temperature _____ °C, Variation _____ °C

5. Purpose of measurement

Level measurement: _____ Fig. 2, or _____ Fig. 3 (see page 5/02)

Pressure measurement: _____ .. _____ Fig. 4 (see page 5/02)

Other: _____

6. Installation specification

Span (h_1): _____

Difference in height between minimum level and (+)-flange (h_2): _____

Difference in height between (+)-flange and measuring device (h_3): _____

Difference in height between (-)-flange and measuring device (h_4): _____

7. Equipment specification

Selected equipment _____

The Hydraulic Pressure Seal **SATRON HPS** is used in pressure measurement applications where the process medium is aggressive and it is necessary to protect the wetted parts of measuring transmitters. Processes' hygienic requirements may also necessitate the use of the pressure seal. In addition, the pressure seal has to be used when the process temperature exceeds the transmitter's specifications.



Technical specifications

Process connections

- DN25, DN50, DN80, DN100 (EN 1092-1, flange type 05, facing type B), (DIN 2501, form D)
- ANSI 2" and 3" (ANSI B16-5)
- JIS 50, 80, 100 (JIS B 2220)
- Sandvik Clamp connector DN65
- TRI-Clamp 1½", 2" and 2,5" (38/51/63,5 mm, ISO2852)
- SMS38 and SMS51
- DIN11851 DN25... DN50
Other options available on separate order.

Process pressures

- PN10/16, PN40, PN64 and PN100
- 150 and 300 lbs
- 10K and 50K
- Sandvik Clamp: PN64
- TRI-Clamp: PN40
- SMS and DIN11851 PN25 PN40

Measurement ranges

Above 25 mbar span, depending on the measuring diaphragm's size and the process pressure.

Materials

HPS body: EN 1.4401 (AISI 316)
Process coupling: EN 1.4404 (AISI 316L)

Capillary tube

- Capillary: EN 1.4401 (AISI 316)
 - Casing: EN 1.4401 (AISI 316)
- Length selectable between 2 and 20 m.
Recommendation: As short as possible.
The capillary's minimum permissible bending radius is 50 mm.
We recommend capillaries of equal length for differential pressure measurements in varying temperature conditions.

Diaphragm materials

EN 1.4435 (AISI 316L), CoNi-alloy, Duplex (EN 1.4462), Hastelloy C22 (EN 2.4602) / C-276 (EN 2.4819), Inconel 600 (EN 2.4816), Monel 400 (EN 2.4360), Nickel (EN 2.4066), Tantalum, Titan Ti-II (3.7035) and Zirkonium

Fill fluids

- Silicone oil DC200
- for process and food industry applications
NeobeeM20
 - for food industry applications
Inert oil (e.g. Fomblin Y04 or Halocarbon)
 - for oxygen and chlorine applications

Silicone oil DC705

- for high-temperature and vacuum measurement applications

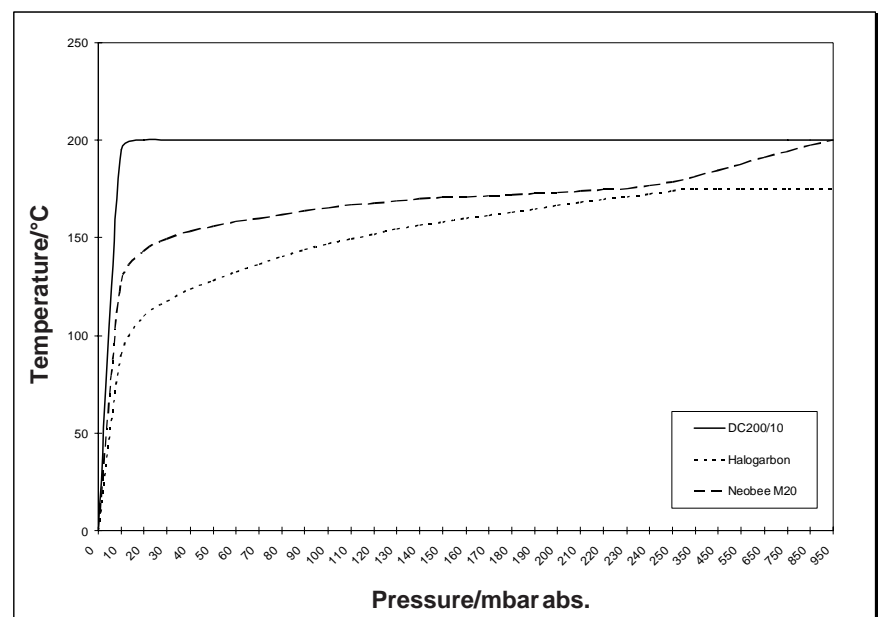
Gaskets (Sanitary Seal)

- EPDM, FPM (Viton®) and PTFE

Fill fluid properties

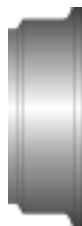
Fill fluid	Temperature range/°C	Density g/cm ³	Thermal expansion coefficient/ 1/°C	Viscosity (25°C) cSt(mm ² /s)
DC200 Silicone oil	-40...200	0.934	0.00108	9.5
DC705 Silicone oil	20...380	1.090	0.00080	175
Inert oil	-45...175	1.850	0.000864	6.5
NeobeeM20	-17...200	0.917	0.001008	9.8

Fill fluid steam pressure curves (specified by manufacturers)



HPS types: construction


SATRONHPS D
 - Mounted between
 two flanges



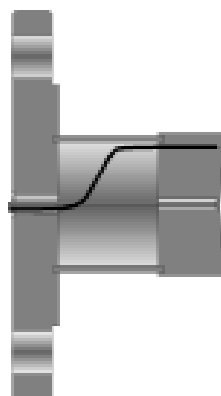
SATRONHPS TRI-C
 - Mounted on Tri-Clamp
 (ISO2852)
 - Sanitary seals



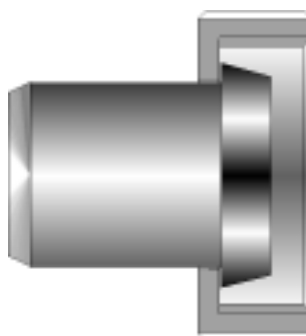
SATRONHPS F
 - Flange-mounted
 pressure seal



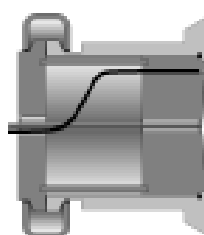
SATRONHPS SMS
 - Sanitary seals
 - Female Rd-thread



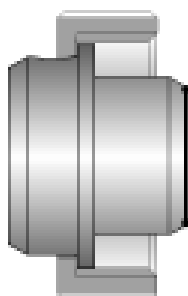
SATRONHPS E
 - Flange-mounted
 with extension



SATRONHPS DIN11851
 - Sanitary seals
 - Female Rd-thread

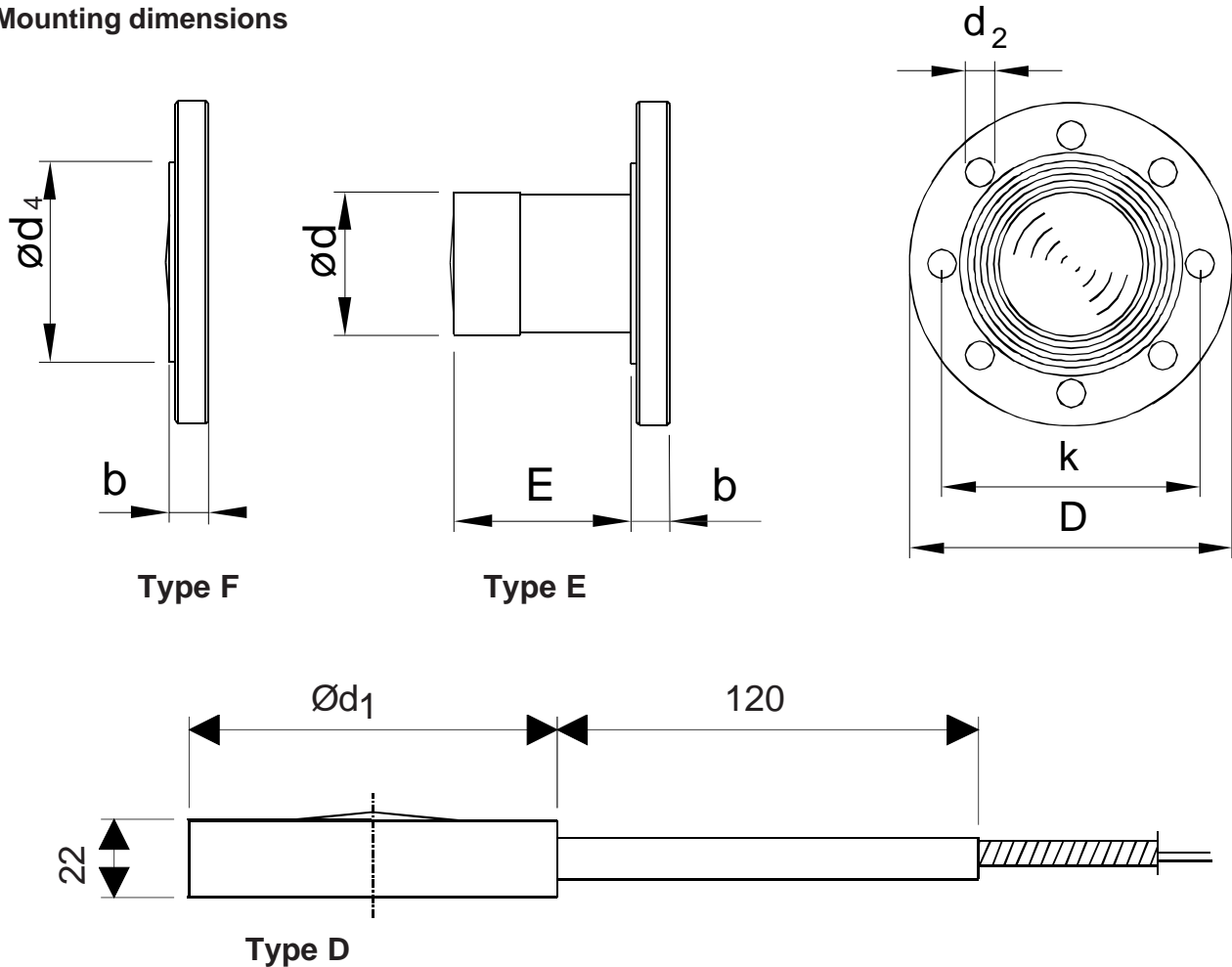


SATRONHPS S
 - Mounted on
 Sandvik Clamp
 - Sanitary seals



SATRONHPS SMS-SI
 - Sanitary seals
 - Female Rd-thread

Mounting dimensions



FLANGE SIZE	FLANGE CODE	FLANGE DIMENSIONS				HOLES			EXTENS.
		b	D	$\text{Ø}d_4$	$\text{Ø}d_1$	Kpl	d_2	k	$\text{Ø}d$ -0.2
ISO DN25 PN10/16	D1A	16	115	68	70	4	14	85	-
ISO DN25 PN40	D1B	18	115	68	70	4	14	85	-
ISO DN25 PN64	D1C	24	140	68	70	4	18	100	-
ISO DN25 PN100	D1D	24	140	68	70	4	18	100	-
ISO DN50 PN10/16	D2A	18	165	102	105	4	18	125	51
ISO DN50 PN40	D2B	20	165	102	105	4	18	125	51
ISO DN50 PN64	D2C	26	180	102	105	4	22	135	51
ISO DN50 PN100	D2D	28	195	102	105	4	26	145	51
ISO DN80 PN10/16	D3A	20	200	138	140	8	18	160	73
ISO DN80 PN40	D3B	24	200	138	140	8	18	160	73
ISO DN80 PN64	D3C	28	215	138	140	8	22	170	73
ISO DN80 PN100	D3D	32	230	138	140	8	26	180	73
ISO DN100 PN10/16	D4A	20	220	158	166	8	18	180	73
ISO DN100 PN40	D4B	24	235	162	166	8	22	190	73
ANSI 2" 150 lbs	A2A	23	152	92	99	4	20	120.6	51
ANSI 2" 300 lbs	A2B	25	165	92	105	8	20	127	51
ANSI 3" 150 lbs	A3A	26	191	127	130	4	20	152.4	73
ANSI 3" 300 lbs	A3B	31	210	127	143	8	23	168.3	73
ANSI 4" 150 lbs	A4A	26	229	157	168	8	20	190.5	73
ANSI 4" 300 lbs	A4B	34	254	157	175	8	23	200	73
JIS 10K-50	J2A	16	155	96	96	4	19	120	51
JIS 40K-50	J2B	26	165	105	105	8	19	130	51
JIS 10K-80	J3A	18	185	126	126	8	19	150	73
JIS 40K-80	J3B	32	210	140	140	8	23	170	73
JIS 10K-100	J4A	18	210	151	151	8	19	175	73
JIS 40K-100	J4B	36	250	165	165	8	25	205	73

CODE	E
2	51
4	102
6	152

Selection table : Flanged Seal

		HPS										
		<input type="checkbox"/>	<input type="checkbox"/>	<input type="checkbox"/>	<input type="checkbox"/>	<input type="checkbox"/>	<input type="checkbox"/>	<input type="checkbox"/>	<input type="checkbox"/>	<input type="checkbox"/>	<input type="checkbox"/>	
Process connection type												
D	Pancake											
F	Flanged											
E	Flanged with extension											
Process connection standard												
D	DIN (Deutsches Institut für Normung)											
A	ANSI/ASME B16.5 (American National Standards Institute)											
J	JIS (Japanese Industrial Standards)											
Process connection size												
	DIN	ANSI	JIS									
1	25	-	-									
2	50	2"	50									
3	80	3"	80									
4	100	4"	100									
Pressure class of process connection (maximum working pressure)												
	DIN	ANSI	JIS									
A	PN10/16	150lbs	10K									
B	PN40	300lbs	40K									
C	PN64	-	-									
D	PN100	-	-									
Extension length												
0	No extension (only codes D and F)											
2	Extension 51 mm (only code E)											
4	Extension 102 mm (only code E)											
6	Extension 152 mm (only code E)											
Flange material / in type E also extension material												
2	EN 1.4404 (AISI316L)											
3	Hastelloy C-276 (EN 2.4819)											
8	Duplex (EN 1.4462)											
Diaphragm material												
1	Nickel (EN 2.4066) (***)					7	CoNi-alloy					
2	EN 1.4435 (AISI316L)					8	Duplex (EN 1.4462)					
3	Hastelloy C-276 (EN 2.4819)					H	Hastelloy C22 (EN 2.4602)					
4	Inconel 600 (EN 2.4816)					M	Monel 400 (EN 2.4360)					
5	Tantalum					Z	Zirkonium (***)					
6	Titan TI-II (EN 3.7035) (***)											
Diaphragm thickness												
E	0.05 mm (*)											
F	0.10 mm (**)											
Diaphragm coating												
0	No coating		P	PTFE sintered								
9	Gold/Rhodium											
Y	Diamond											
Fill fluid												
S	Silicone oil DC200											
A	Neobee M20, oil for food industry											
G	Inert oil											
D	Silicone oli DC705											

(*) = Not Inconel, Monel, Nickel or Zirkonium

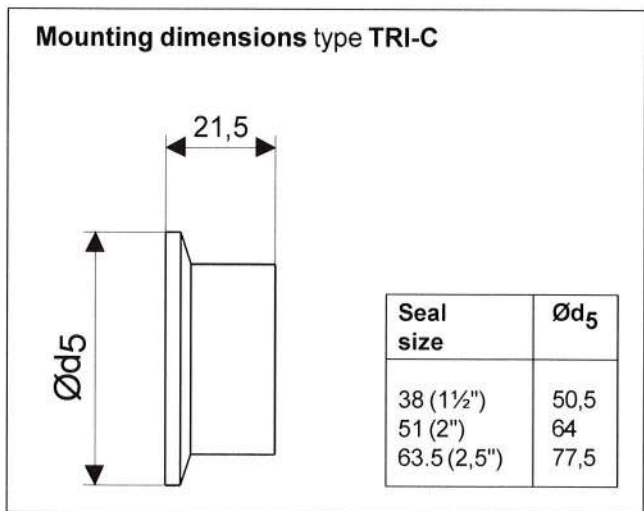
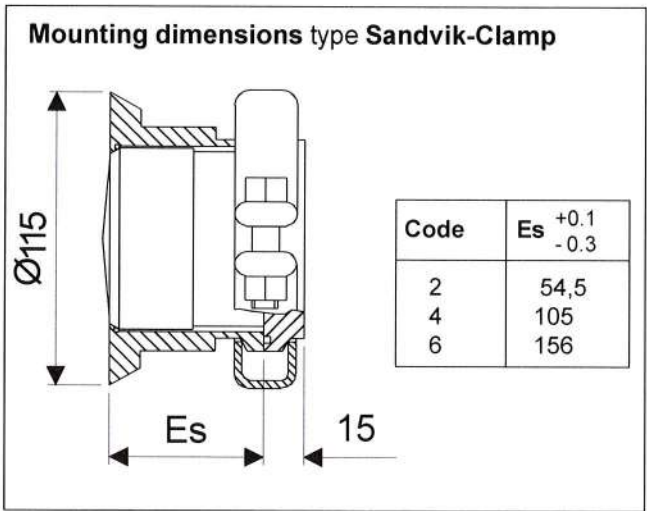
(**) = Not Tantalum

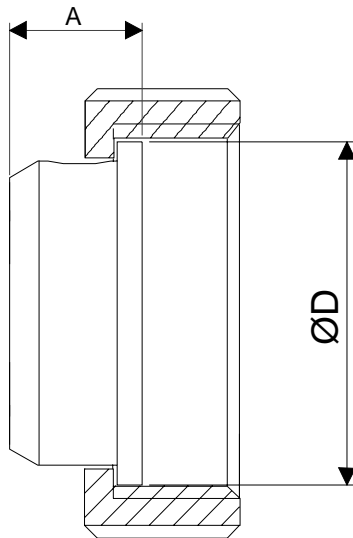
(***) = Not connection type E (with extension)

Selection table : Sanitary Seals

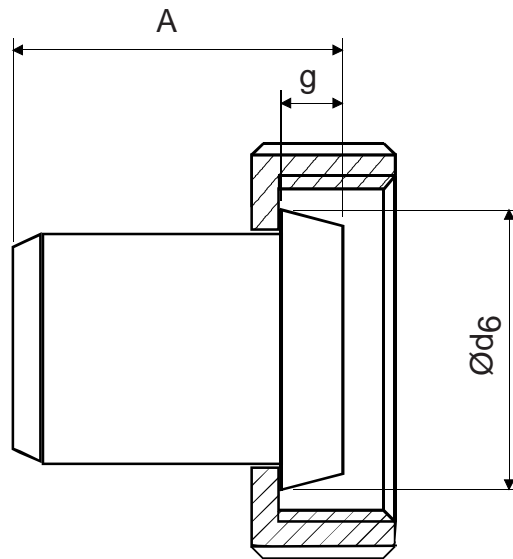
		HPS							
Process connection type and size									
HA	SMS38								
HB	SMS51								
KA	DIN11851 DN25								
KB	DIN11851 DN32								
KC	DIN11851 DN42								
KD	DIN11851 DN50								
S2	Sandvik-Clamp DN65, extension length 54.5 mm								
S4	Sandvik-Clamp DN65, extension length 105 mm								
S6	Sandvik-Clamp DN65, extension length 156 mm								
TA	Tri-Clamp 38 (1½")								
TB	Tri-Clamp 51 (2")								
TC	Tri-Clamp 63.5 (2½")								
WA	SMS-SI 38, extension length 24 mm								
WB	SMS-SI 51, extension length 27 mm								
Material of body, wetted material only in type SMS-SI									
2	EN 1.4404 (AISI316L)	8	Duplex (EN 1.4462) (*)						
3	Hastelloy C-276 (EN 2.4819) (*)								
Diaphragm material									
2	EN 1.4435 (AISI316L)	7	CoNi-alloy						
3	Hastelloy C-276 (EN 2.4819)	8	Duplex (EN 1.4462)						
4	Inconel 600 (EN 2.4816)	H	Hastelloy C22 (EN 2.4602)						
5	Tantalum	M	Monel 400 (EN 2.4360)						
Diaphragm thickness									
E	0.05 mm (**)	F	0.10 mm (***)						
Diaphragm coating									
0	No coating	P	PTFE sintered						
9	Gold/Rhodium	Y	Diamond						
Fill fluid									
S	Silicone oil DC200	G	Inert oil						
A	Neobee M20, oil for food industry	D	Silicone oli DC705						
Process gasket / material of gasket									
0	No gasket	1	EPDM (ethylene propylene rubber)						
2	FPM (Viton®)	3	PTFE (Not process connection SMS-SI)						
Mounting parts									
0	No mounting parts	1	For type SMS, coupling and gasket						
2	For type DIN11851, coupling and gasket	3	For type Sandvik, coupling, gasket and clamp						
4	For type Tri-clamp, coupling, gasket and clamp	5	For type SMS-SI, coupling for pipe						
6	For type SMS-SI, coupling for vessel								

(*) = Only SMS-SI
(**) = Not Inconel or Monel
(***) = Not Tantalum

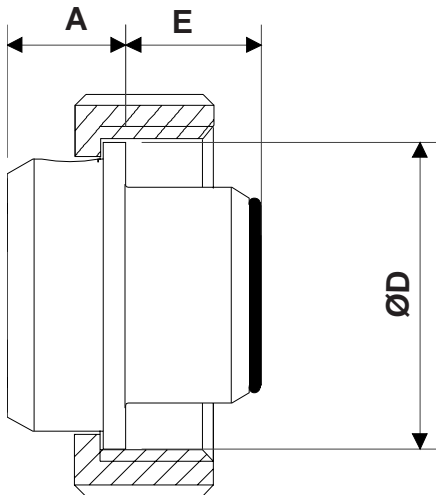


Mounting dimensions type SMS


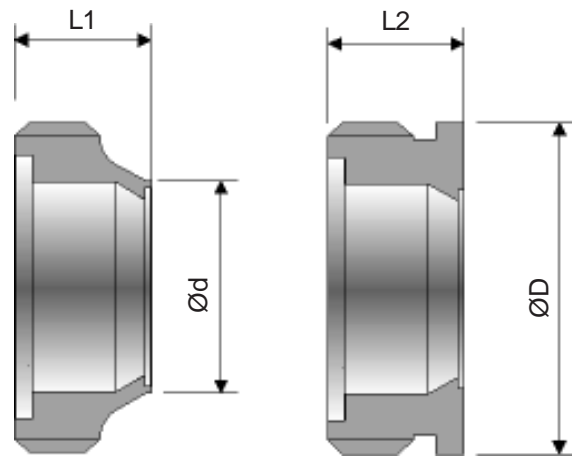
Size	Dimensions		Thread
	ØD	A	
38	54	21	Rd 60 x 1/6
51	64	23	Rd 70 x 1/6

Mounting dimensions type DIN11851


Size	Dimensions			Thread
	Ød ₆	g	A	
DN25 PN25	44	10	49	Rd 52 x 1/6
DN32 PN25	50	10	49	Rd 58 x 1/6
DN40 PN25	56	10	49	Rd 65 x 1/6
DN50 PN25	68,5	11	50	Rd 78 x 1/6

Mounting dimensions type SMS-SI


Size	Dimensions			Thread
	ØD	A	E	
SI38	54	21	24	Rd 60 x 1/6
SI51	64	23	27	Rd 70 x 1/6

SMS-SI couplings :


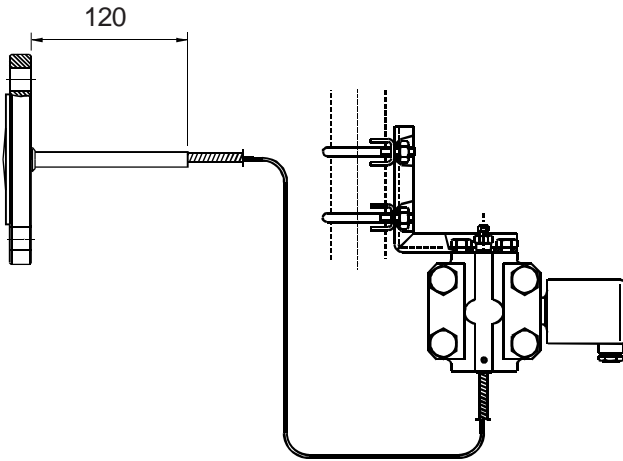
for pipe

for vessel

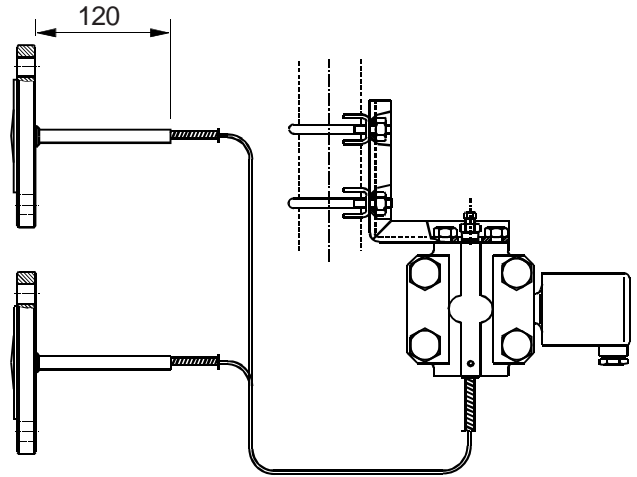
Size	Dimensions				Thread
	L1	Ød	L2	ØD	
38	27	38,5	24	60	Rd 60 x 1/6
51	30	51	25	70	Rd 70 x 1/6

Hydraulic Pressure Seal Connections

Capillary connection



Seal on Low or High pressure side of Differential Pressure Transmitter, code **H** or **K**



Same seal on both High and Low pressure sides of Differential Pressure Transmitter, code **L**

Selection table



Capillary connection type

- H** Seal on High pressure side of Differential Transmitter
- K** Seal on Low pressure side of Differential Transmitter
- L** Same seal on both High and Low pressure side of Differential Transmitter
- M** Seal on High pressure side of Pressure Transmitter, process connection G $\frac{1}{2}$ A

Capillary length (m)

2...20

Mounting bracket for transmitter

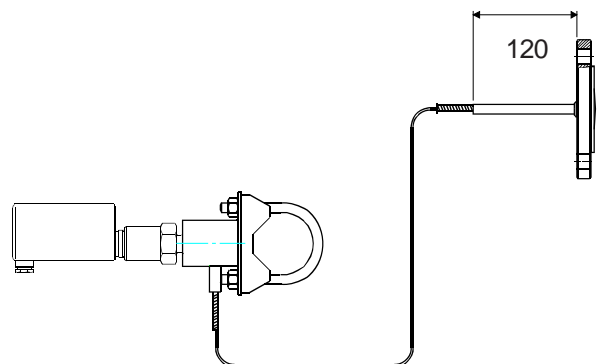
- 0** No mounting bracket
- 1** Angle mounting bracket
- 2** Mounting plate

Documentation

- IE** English
- IF** Finnish

Material certificate

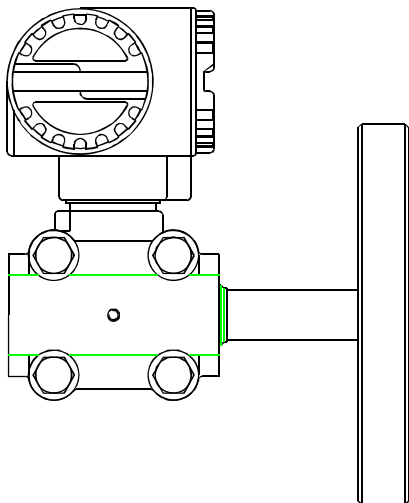
- 0** No material certificate
- MC1** SFS-EN 10204-2.1 (DIN50049-2.1)
- MC2** SFS-EN 10204-2.2 (DIN50049-2.2)
- MC3** SFS-EN 10204-3.1B (DIN50049-3.1B)



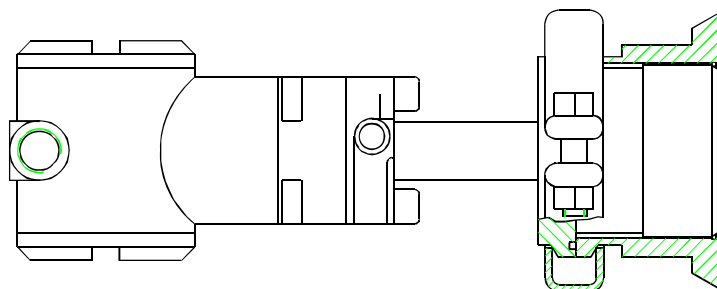
Seal on High pressure side of pressure transmitter, process connection G $\frac{1}{2}$ A, code **M**

Hydraulic Pressure Seal Connections

Direct mounted connection



Seal on High pressure side of Differential Pressure Transmitter, angle model, code **P**



Seal on High pressure side of Differential Pressure Transmitter, straight model, code **R**

Selection table

Direct mounted connection type

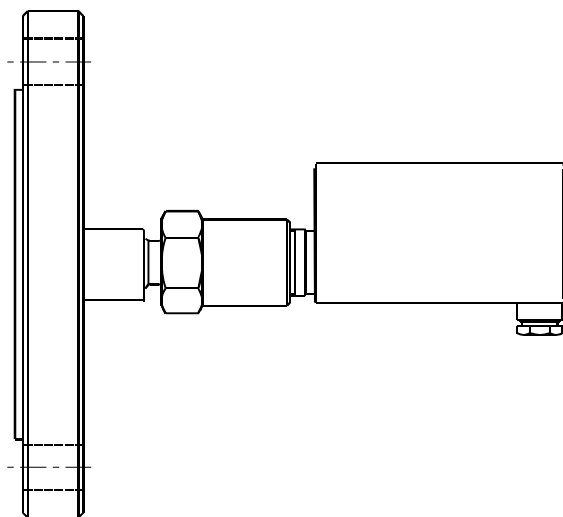
- P** Seal on High pressure side of Differential Transmitter, angle model
- R** Seal on High pressure side of Differential Transmitter, straight model
- S** Seal on High pressure side of Pressure Transmitter, process connection G $\frac{1}{2}$ A, straight model

Documentation

- IE** English
- IF** Finnish

Material certificate

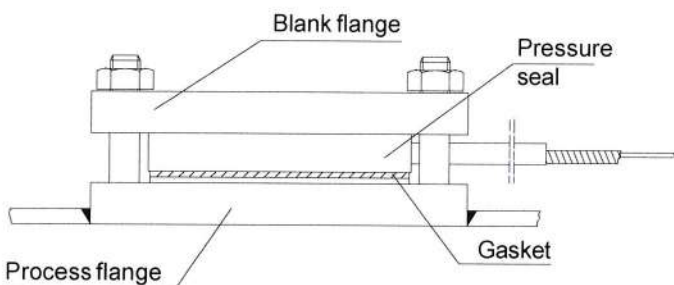
- 0** No material certificate
- MC1** SFS-EN 10204-2.1 (DIN50049-2.1)
- MC2** SFS-EN 10204-2.2 (DIN50049-2.2)
- MC3** SFS-EN 10204-3.1B (DIN50049-3.1B)



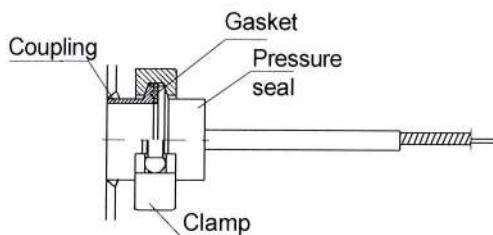
Seal on High pressure side of Pressure Transmitter, process connection G $\frac{1}{2}$ A, straight model, code **S**

HPS types: Installation

Type D Mounted between two flanges

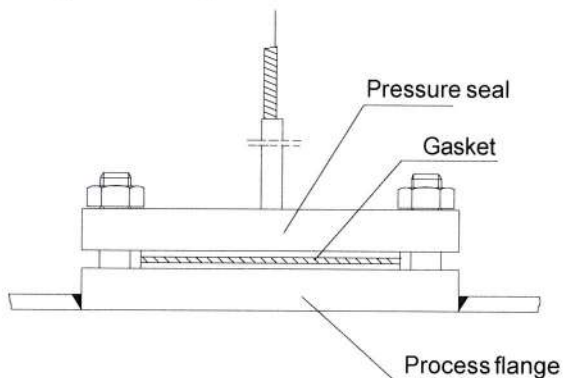


Type TRI-C



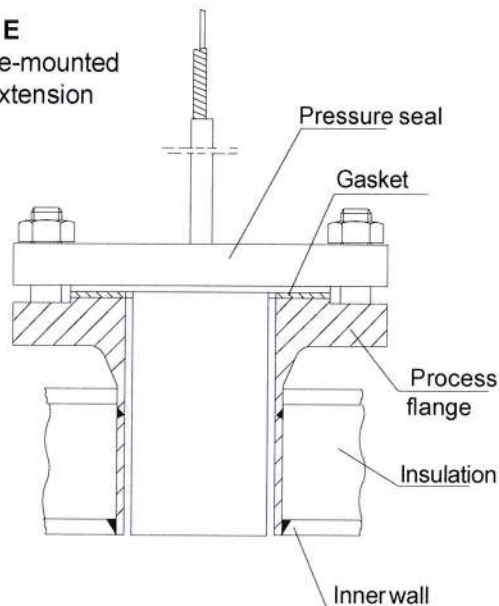
Type F

Flange-mounted pressure seal



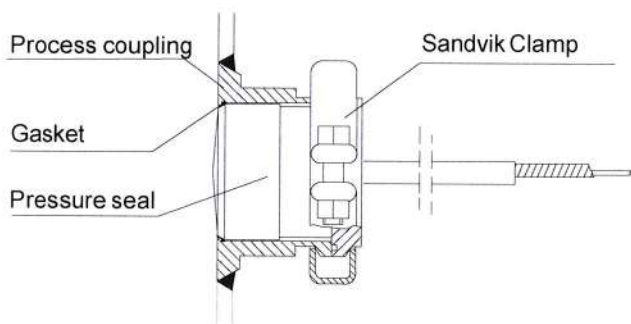
Type E

Flange-mounted with extension

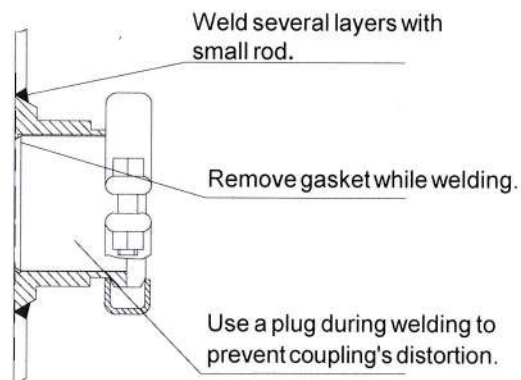


Type S

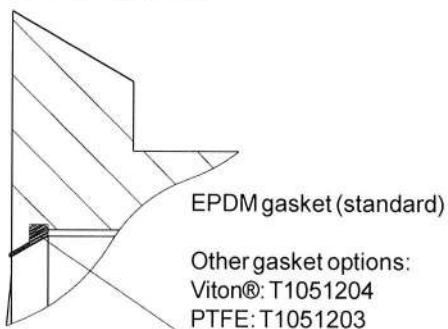
Mounted on Sandvik Clamp



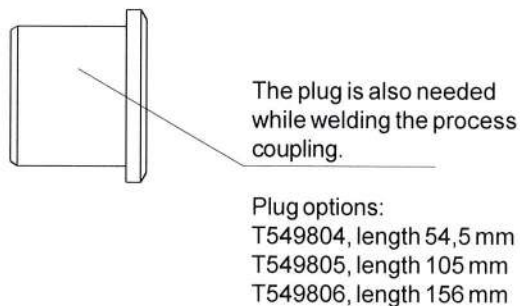
Type S - Coupling installation

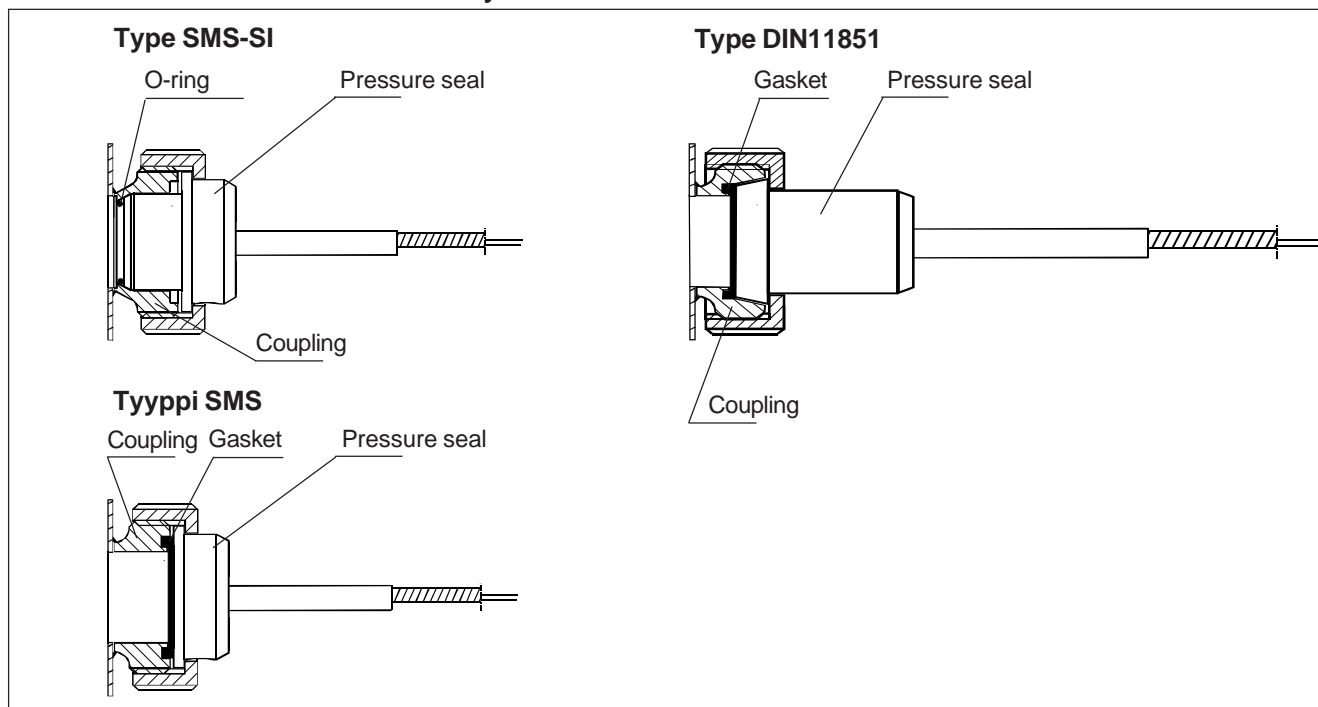


Type S - Mounting parts



Type S - Plug





Specification example: **SATRON HPS KA23E0S10-M52IE0**

- Process connection type, sanitary DN25 DIN11851
- Material of body: EN 1.4404 (AISI316L)
- Diaphragm material: Hastelloy C-276 (EN 2.4819)
- Diaphragm thickness: 0.05mm
- No diaphragm coating
- Fill fluid: silicone oil
- Material of process gasket: EPDM
- No mounting parts
- Capillary type connection:
 - Seal on high pressure side of Pressure Transmitter
 - Capillary length 5m
 - Mounting bracket for transmitter, type mounting plate
 - Documentation: English
 - No material certification

Recommended minimum process pressure for vacuum applications

T _{proc.} °C	Minimum pressure for different fill fluids (kPa, abs.)	
	DC200 100 cSt	Inert oil
20	5	8
40	8	10
80	10	28
120	15	53
160	25	90
200	40	-

Hastelloy is the registered trademark of Haynes International.
 Teflon is the registered trademark of E.I. du Pont de Nemours & Co.
 Viton is the registered trademark of DuPont Dow Elastomers.

We reserve the right for technical modifications without prior notice.

The Hydraulic Pressure Seal SATRON HPS is used in pressure measurement applications where the process medium is aggressive and it is necessary to protect the wetted parts of measuring transmitters. Processes' hygienic requirements may also necessitate the use of the pressure seal. In addition, the pressure seal has to be used when the process temperature exceeds the transmitter's specifications.

Technical specifications

Process connections

- Thread M45 x 2

Process pressures

- PN200

Measurement ranges

Above 25 mbar span, depending on the measuring diaphragm's size and the process pressure.

Materials

HPS body: EN 1.4404 (AISI 316L), EN 1.4462 (Duplex)

Capillary tube

- Capillary: AISI 316
- Casing: AISI 316

Length selectable between 2 and 20 m.

Recommendation: As short as possible. The capillary's minimum permissible bending radius is 50 mm.

We recommend capillaries of equal length for differential pressure measurements in varying temperature conditions.

Diaphragm materials

AISI 316L (EN 1.4435), CoNi-alloy, Duplex (EN 1.4462), Hastelloy® C22 / C-276 (EN 2.4819), Inconel 600 (EN 2.4816), Tantalum

Fill fluids

Silicone oil DC200

- for process and food industry applications

Neobee M20

- for food industry applications

Inert oil (e.g. Fomblin Y04 or Halocarbon)

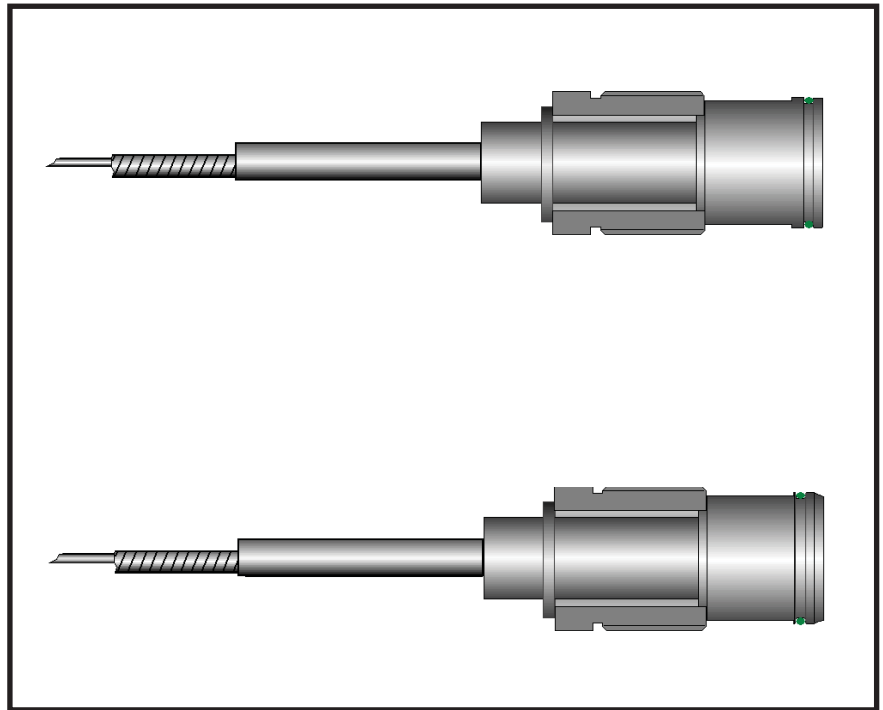
- for oxygen and chlorine applications

Silicone oil DC705

- for high-temperature and vacuum measurement applications

Gaskets

- FPM (Viton®)



Fill fluid properties

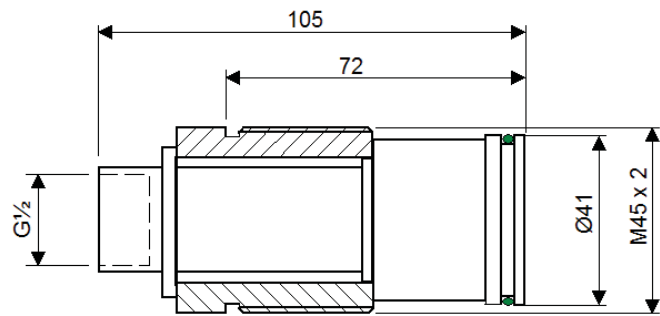
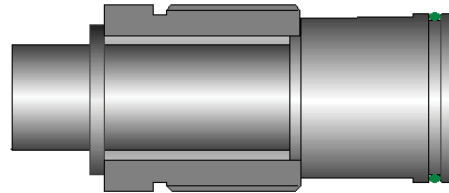
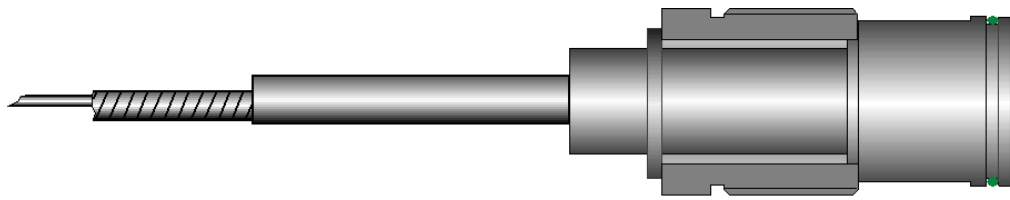
Fill fluid	Temperature range/°C	Density g/cm³	Thermal expansion coefficient/ 1/°C	Viscosity (25°C) cSt(mm²/s)
DC200 Silicone oil	-40...200	0.934	0.00108	9.5
DC705 Silicone oil	20...380	1.090	0.00080	175
Inert oil	-45...175	1.850	0.000864	6.5
Neobee M20	-17...200	0.917	0.001008	9.8

Recommended minimum process pressure for vacuum applications

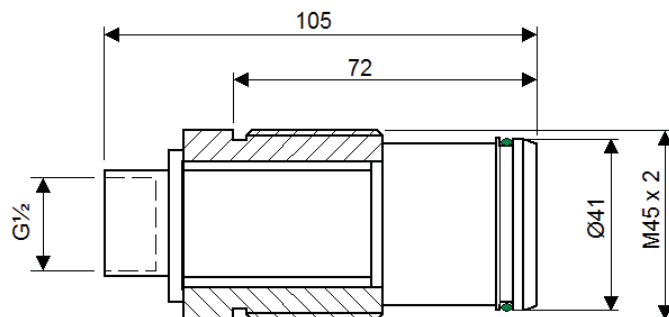
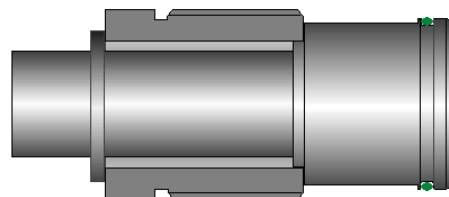
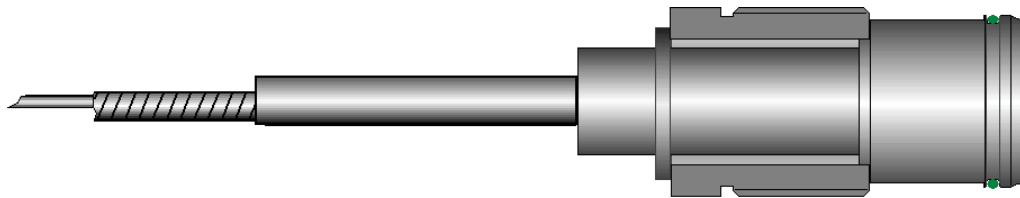
T _{proc.} °C	Minimum pressure for different fill fluids (kPa, abs.)	
	DC200 100 cSt	Inert oil
20	5	8
40	8	10
80	10	28
120	15	53
160	25	90
200	40	-

Selection table: M45 x 2 Seal

				HPS		
Process connection type						
BA	M45 x 2 with o-ring					
BB	M45 x 2 with o-ring + metal/metal taper					
Body material, wetted parts						
2	AISI316L (EN 1.4404)	8	Duplex (EN 1.4462), std.			
3	Hastelloy C-276 (EN 2.4819)					
Diaphragm material						
2	AISI316L (EN 1.4435)	3	Hastelloy C276 (EN 2.4819)			
4	Inconel 600 (EN 2.4816)		5	Tantaali		
8	Duplex (EN 1.4462)					
Diaphragm thickness						
E	0.05 mm	F	0.10 mm			
Diaphragm coating						
0	No coating		P	PTFE sintered		
9	Gold / Rhodium		Y	Diamond		
Fill fluid						
S	Silicone oil DC200			G	Inert oil	
A	Neobee M20, oil for food industry			D	Silicone oil DC705	
Mounting parts						
0	No mounting parts					
1	Coupling					
2	Pasve BA mounting valve, specify separately in the order					



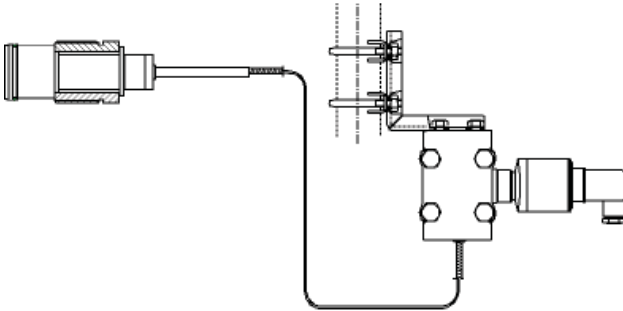
Mounting dimensions, type BA



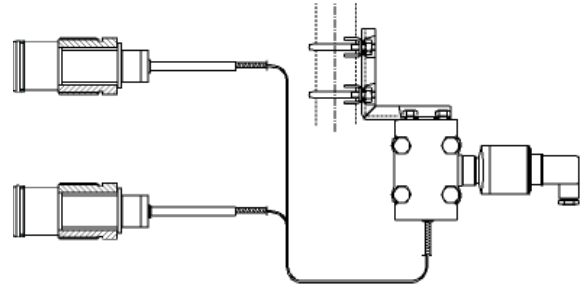
Mounting dimensions, type BB

Hydraulic Pressure Seal Connections

Capillary connection



Seal on Low or High pressure side of Differential Pressure Transmitter, code **H** or **K**



Same seal on both High and Low pressure sides of Differential Pressure Transmitter, code **L**

Selection table

Capillary connection type

- H Seal on High pressure side of Differential Transmitter
- K Seal on Low pressure side of Differential Transmitter
- L Same seal on both High and Low pressure side of Differential Transmitter
- M Seal on High pressure side of Pressure Transmitter, process connection G $\frac{1}{2}$ A

Capillary length (m)

2...20

Mounting bracket for transmitter

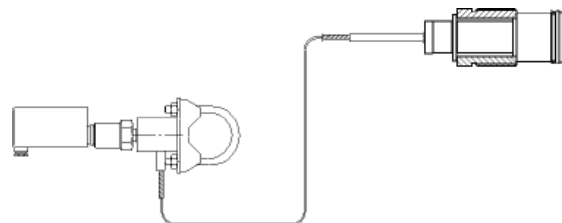
- 0 No mounting bracket
- 1 Angle mounting bracket
- 2 Mounting plate

Documentation

- IE English
- IF Finnish

Material certificate

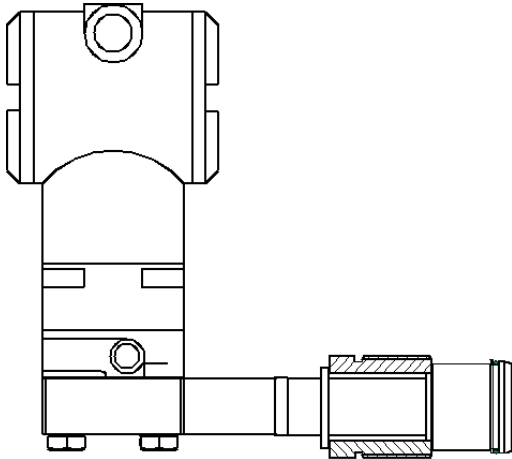
- 0 No material certificate
- MC1 SFS-EN 10204-2.1 (DIN50049-2.1)
- MC2 SFS-EN 10204-2.2 (DIN50049-2.2)
- MC3 SFS-EN 10204-3.1B (DIN50049-3.1B)



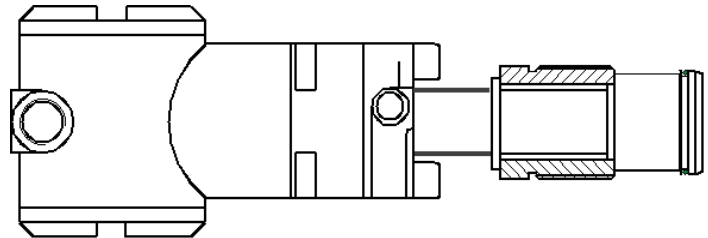
Seal on High pressure side of pressure transmitter, process connection G $\frac{1}{2}$ A, code **M**

Hydraulic Pressure Seal Connections

Direct mounted connection



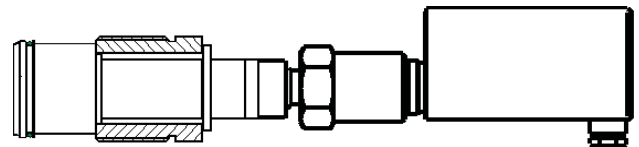
Seal on High pressure side of Differential Pressure Transmitter, angle model, code **P**



Seal on High pressure side of Differential Pressure Transmitter, straight model, code **R**

Selection table

—	□	□	□
Direct mounted connection type			
P	Seal on High pressure side of Differential Transmitter, angle model		
R	Seal on High pressure side of Differential Transmitter, straight model		
S	Seal on High pressure side of Pressure Transmitter, process connection G $\frac{1}{2}$ A, straight model		
Documentation			
IE	English		
IF	Finnish		
Material certificate			
0	No material certificate		
MC1	SFS-EN 10204-2.1 (DIN50049-2.1)		
MC2	SFS-EN 10204-2.2 (DIN50049-2.2)		
MC3	SFS-EN 10204-3.1B (DIN50049-3.1B)		

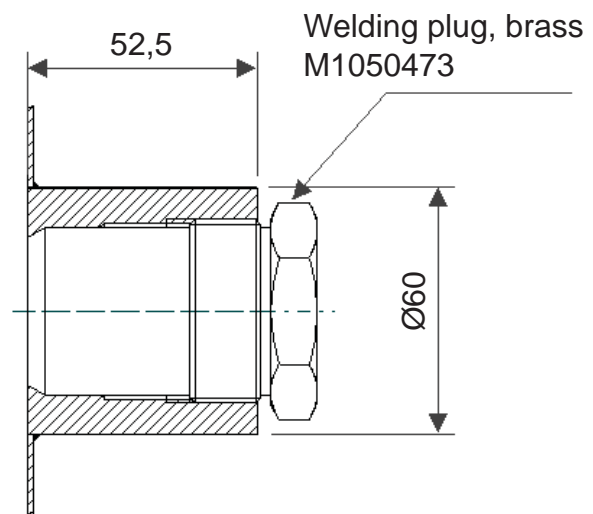
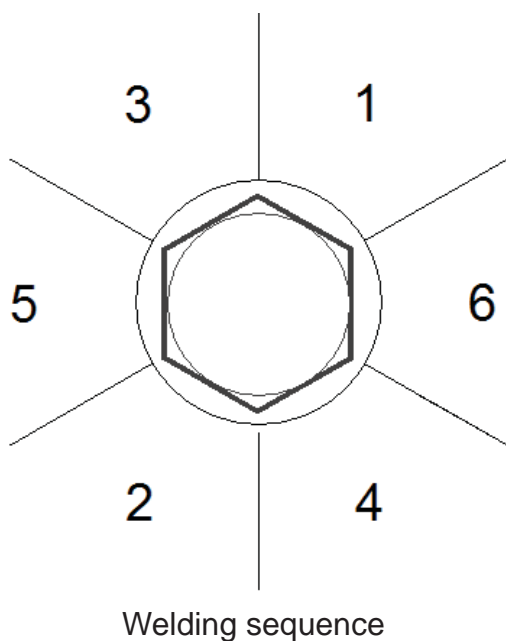


Seal on High pressure side of Pressure Transmitter, process connection G $\frac{1}{2}$ A, straight model, code **S**

Specification example: **SATRON HPS BB88E0S0-M52IE0**

- Process connection type: Thread M45 x 2 with o-ring + metal/metal taper
- Body material: EN 1.4462, Duplex
- Diaphragm material: EN 1.4462, Duplex
- Diaphragm thickness: 0.05mm
- No diaphragm coating
- Fill fluid: silicone oil
- No mounting parts
- Hydraulic Pressure Seal Connections: Capillary type connection
 - Seal on High pressure side of pressure transmitter, process connection G $\frac{1}{2}$ A,
 - Capillary length 5m
 - Mounting bracket for transmitter, type mounting plate
 - Documentation: English
 - No material certification

Welding the coupling



Hastelloy is the registered trademark of Haynes International.
Teflon is the registered trademark of E.I. du Pont de Nemours & Co.
Viton is the registered trademark of DuPont Dow Elastomers.

We reserve the right for technical modifications without prior notice.



Satron Instruments Inc.
P.O.Box 22, FI-33901 Tampere, Finland
Tel. +358 207 464 800, Fax +358 207 464 801
www.satron.com

We reserve the right for technical modifications without prior notice.

HART® is a registered trademark of HART Communication Foundation.
Viton® is the registered trademark of DuPont Down Elastomers.



ACTUATORS

- PISTOR 75 pneumatic power cylinder Spec. EZ510



PISTOR 75

pneumatic power cylinder

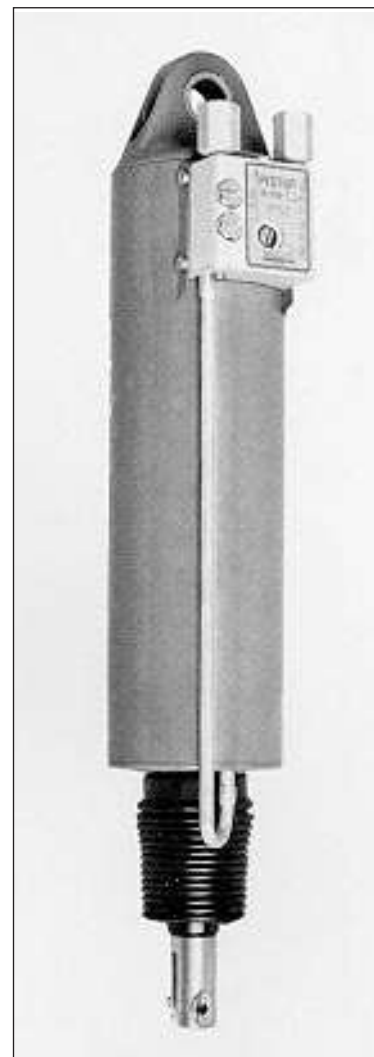
EZ510

Febr. 15, 1989

The pneumatic PISTOR power cylinder can be used as an actuator in manual and automatic control of control valves and louvers.

Technical specification

	Type	
	PISTOR 75/150	PISTOR 75/300
Piston diameter:	75 mm	75 mm
Stroke S:	150 mm	300 mm
Effective cross-sectional area of piston:	41 cm ²	41 cm ²
Output force		
- for 3 bar supply pressure:	1200 N	1200 N
- for 6 bar supply pressure:	2400 N	2400 N
Output work (moment of force)		
- for 3 bar supply pressure:	180 Nm	360 Nm
- for 6 bar supply pressure:	360 Nm	720 Nm
Typical time for full stroke:	12 s	20 s
Weight:	2.8 kg	3.4 kg



Supply pressure: 3 to 6 bar.

Sensitivity: 0.3 %.

Control pressure range

- with standard adjustment: 0.2 to 1.0 bar
- on separate order: 0.4 to 0.9 bar spans.

Load effect

- for a load change from 0 to 80 % of the max. force obtainable for the supply pressure in use, the effect is 4 % of max.stroke per 1000 N.

Operating temperature:

-10 to +80 °C

Materials

- body: light alloy with epoxy powder paint, bearing bush of bronze
- piston rod: ground and polished AISI 316 acid-resistant steel
- piston and O-rings: silicone rubber (max. 80°C).

Air consumption

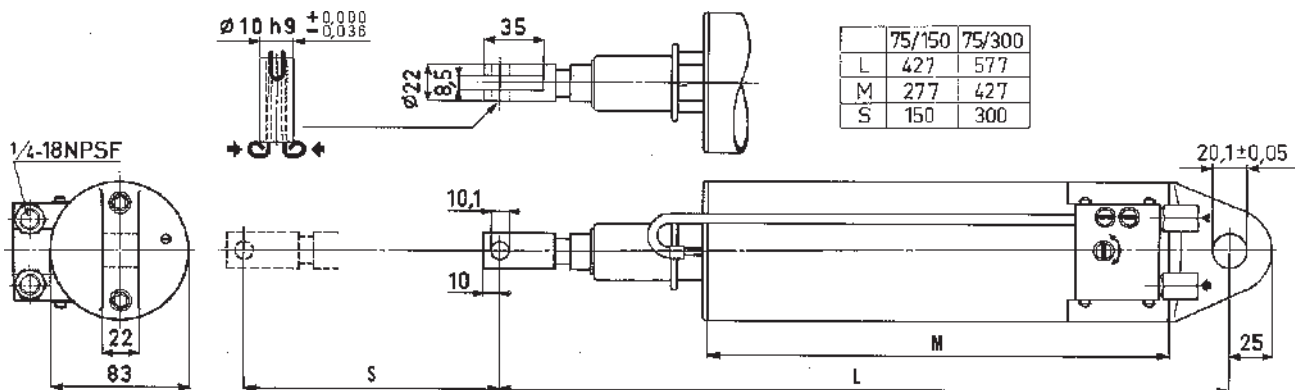
- for 3 bar supply pressure: 15 litres/min (at STP)
- for 6 bar supply pressure: 25 litres/min (at STP)

Connections

- 1/4-18NPSF female threads.

We reserve the right to make technical changes without prior notice. Performance is indicated in accordance with IEC546 and IEC770 recommendations.

Max. error of adjustment: ± 2 %.



Optical measurement

Satron VO optical analyzer for turbidity and solid content measurement **BA200**

Satron VC Optical Consistency Transmitter **BCs220**

Hygienic **Satron VO** is designed for process industry e.g. food and beverage for turbidity and solid content measurement.

Large variety of process couplings e.g. hygienic, flushed, PASVE® ensure compatibility for a wide application range. The Satron VO is simple to use and easy to calibrate from the smart user interface.

VO is robust and reliable Satron quality.

The analyzer communicates digitally using the



Satron VO is connected to process with hygienic coupling



Optical analyzer Satron VO is available also with remote display.

Satron VC is an optical consistency transmitter. It is suitable for all pulps consisting of a single grade, in consistency range of 0 ... 7%:n Cs located mainly within the mechanical pulp processes (SWG, TMP, PWG ja CTMP). Typical applications are measurements to screens, outlet from latency removal chest, screen rejects and many others.



SATRON VO Turbidity and solids content sensor

SATRON VO turbidity and solids content analyzer is suitable for the measurement of different liquids. Savings can be obtained by using SATRON VO analyzer in process industries, e.g. the use of clean water can be minimized, the time used for the cleaning (CIP) will be shortened, the use of the end product (in dairy applications: milk) and the use of cleaning materials needed in the process can be optimized. The transmitter communicates digitally using the HART® protocol.



TECHNICAL SPECIFICATIONS

Measuring range and span

See Selection Chart.

Zero and Span adjustment

Zero elevation: Calibrated span is freely selectable on the specified range depending from the desired option. This can be made by using keyboard (display option) or HART®275/375 communicator.

Damping

- Time constant is continuously adjustable 0.01 to 60 s.

Repeatability

- 0.1% from maximum span.

Temperature limits

Ambient: -30 to +80 °C

Process: 0 to +100 °C / +140 °C (VOF)

-5 to +100 °C / +140 °C (VOM & VOD)

Shipping and storage: -40 to +80 °C.

Output 3-wire (3W), 4-20 mA

Supply voltage

Nominal 24 VDC, (21,6 - 27,6V)

Humidity limits 0-100 % RH

EMC directive 2004/108/EC

- EN 61326-1:2005

CONSTRUCTION

Materials:

Sensing element ¹⁾: AISI316L, Duplex (EN. 1.4462), Hast. C276/C22, or Titanium Gr2.

Surface quality: Polished Ra <0,8µm

Lens: quartz glass, Safir glass or PC plastic

Coupling ¹⁾: AISI316L, Duplex (EN 1.4462), Hast.C276 or Titanium Gr2

Other sensing element materials: AISI316, SIS 2343.

Pressure class:

- PN40

- Test pressure -1 to 30 bar

Housing with display,

codes **NOS & NOT:**

Housing: AISI303/316, Seals: Nitrile-rubber and Viton®, Nameplates: Polyester

Housing with M12 connector, code

HOT: Housing: AISI303/316, Seals:

Viton® and NBR.

Housing with PLUG DIN 43650 connector, code **HOS:**

Housing: AISI303/316, Seals: Viton® and NBR.

PLUG connector: PA6-GF30 jacket, Silicone rubber seal, AISI316 retaining screw.

Connection hose between sensing element and housing

Codes **L** and **R** :

PUR signal cable or hose protected with PTFE/AISI316 braiding

Calibration

For customer-specified range with minimum damping. (If range is not specified, transmitter is calibrated for maximum range.)

Electrical connections

Housing with PLUG connector, code **HOS:**

Connector type DIN 43650 model AF; Pg9 gland for cable; wire cross-section 0.5 to 1.5 mm².

Housing with M12 connector, code **HOT:** M12 plug connector

Housing with display, code **NOS:**

Connector type DIN 43650 model AF; Pg9 gland for cable; wire cross-section 0.5 to 1.5 mm².

Housing with display, code **NOT:**

M12 plug connector

I/O-connections

bout1-3

Relay, grounding contact

Maximum voltage 35 V

Maximum current 50 mA

Maximum leakage current 10 µA

bin1-3

NC (no connection) OFF

0...2 V ON

Minimum values for switch in use

Voltage 16 V

Current 4 mA

Leakage current 1 mA

Current output1

Range 3.5...23 mA

Maximum load 600 Ω

Factory setting 4...20 mA

Current output2

Internal power supply

Current output 2 has same ground as binary IO

Maximum load 400 Ω

Range 3.5...23 mA

Factory setting 4...20 mA

External power supply

Current output 2 is galvanically isolated

Maximum supply voltage 35 VDC

Range 3.5...23 mA

Factory setting 4...20 mA

Maximum load, See picture below

Maximum isolation voltage 100 VDC

Process connections

- With G1 connecting thread

- Tri-Clamp 25/38 and 40/51

Protection class: See Selection chart.

Weight

Housing with PLUG DIN43650

connector (**HOT**): 0.9 kg

Housing with M12

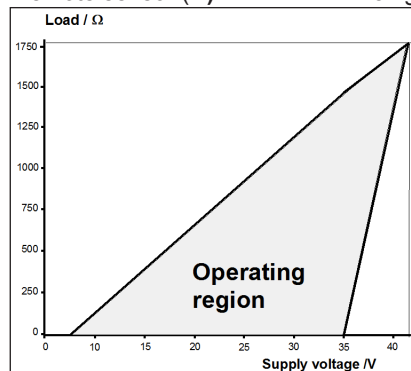
connector (**HOS**): 0.9 kg

Housing with display

(**NOS & NOT**): 1.3 kg

Remote Housing (**L**): 2.5 kg

Remote sensor (**R**): 2.5 kg



Min. load using HART®-communication 250 R

R max = $\frac{\text{Supply voltage} - 5 \text{ V}}{I \text{ max}}$

I max = 20,5 mA

I max = 22,5 mA

(when the alarm current 22,5 mA is on)

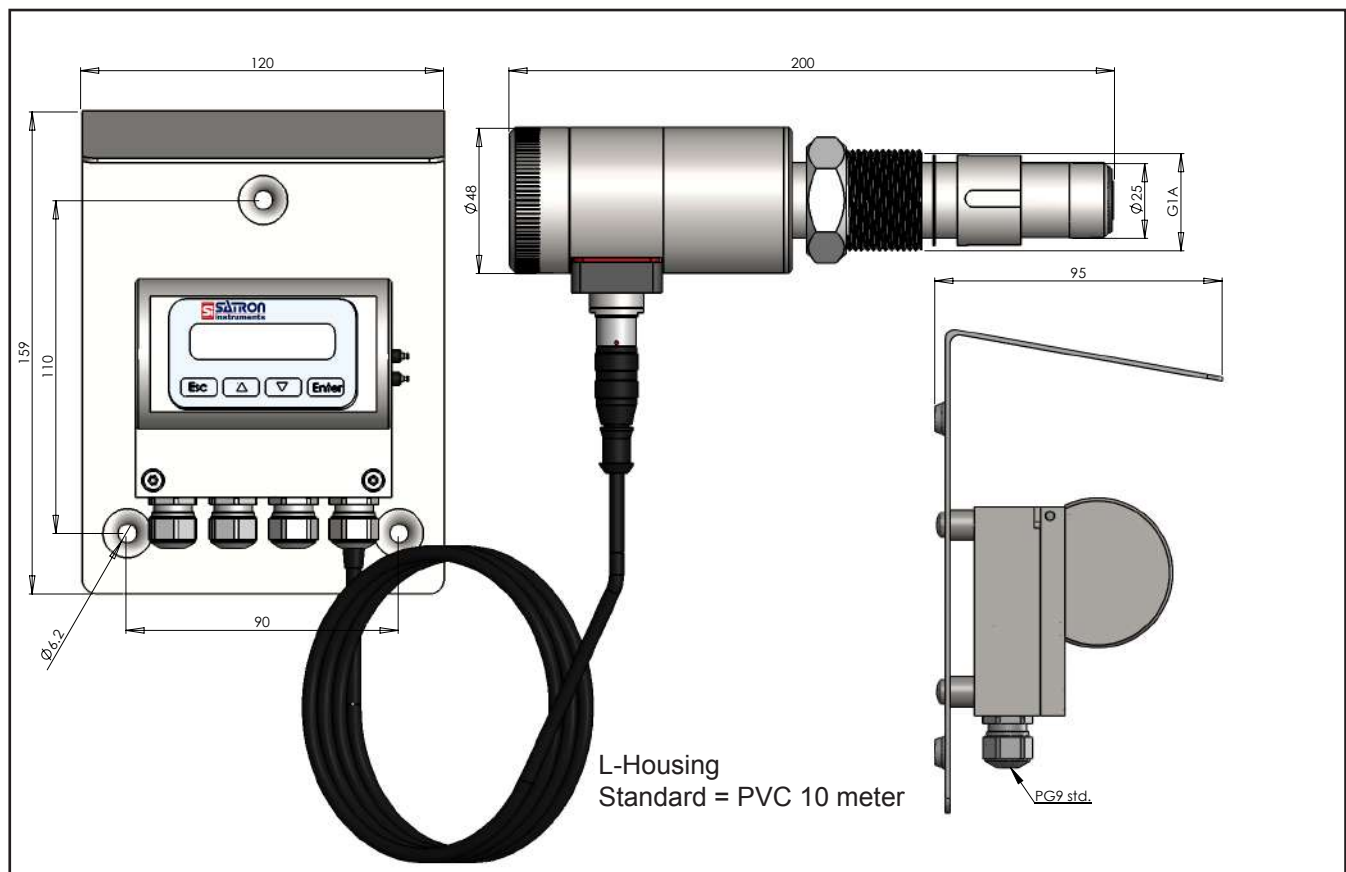
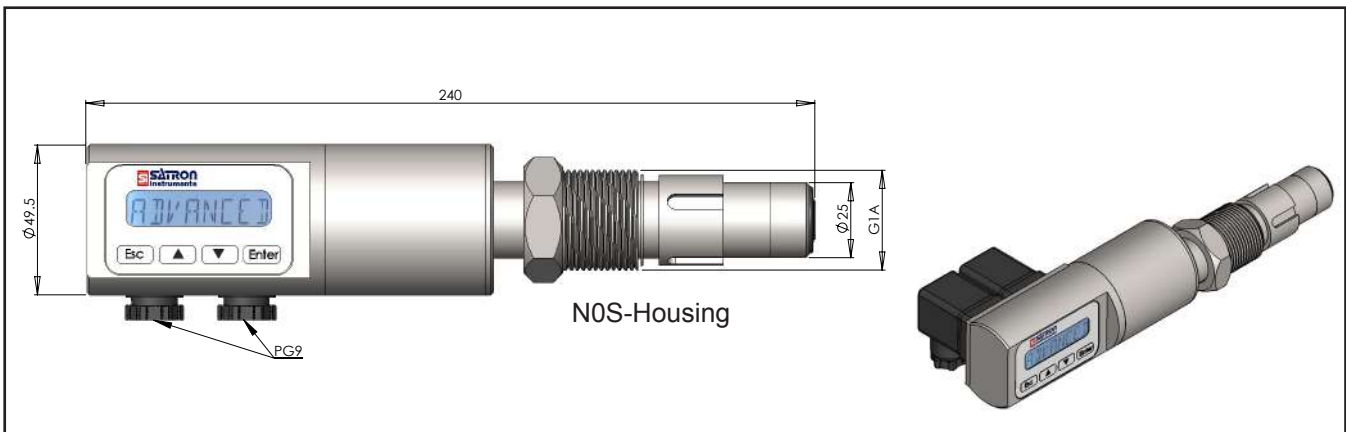
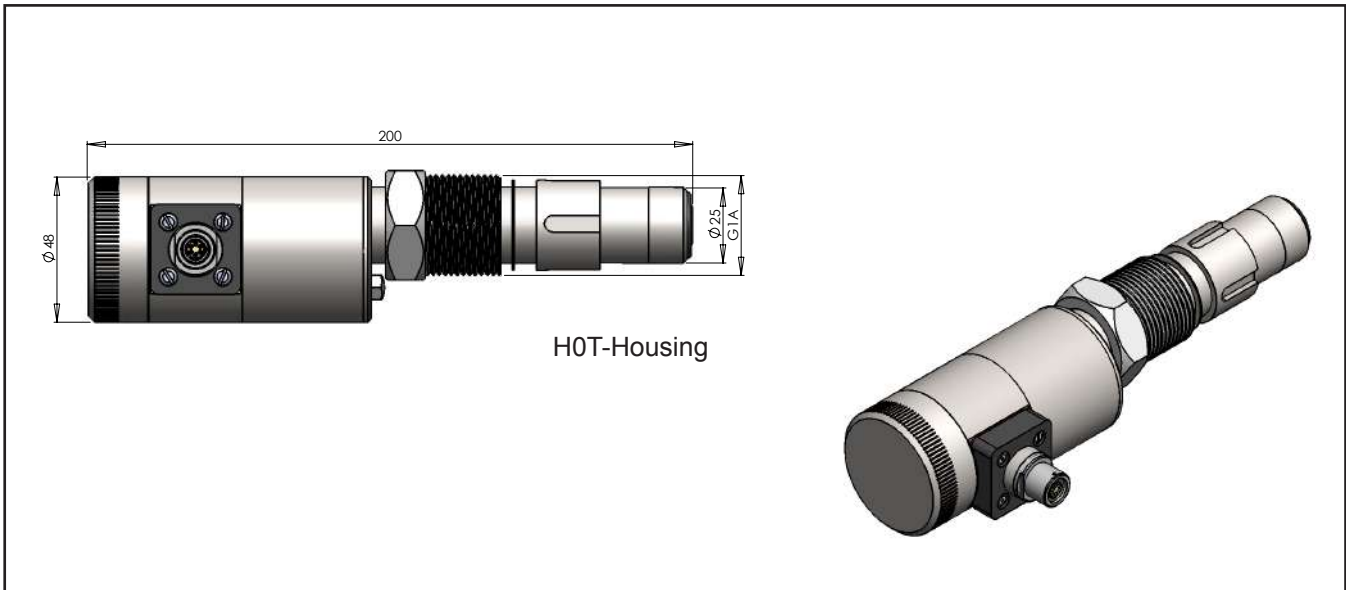
Current output 2

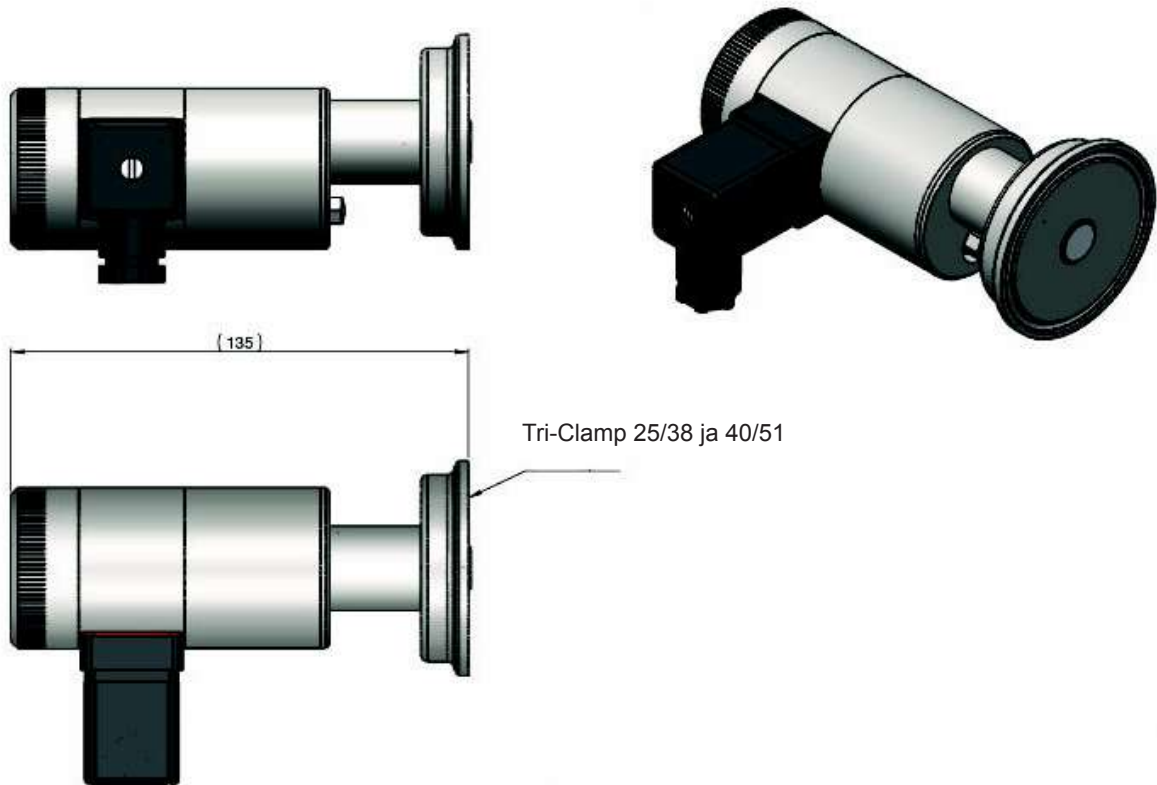
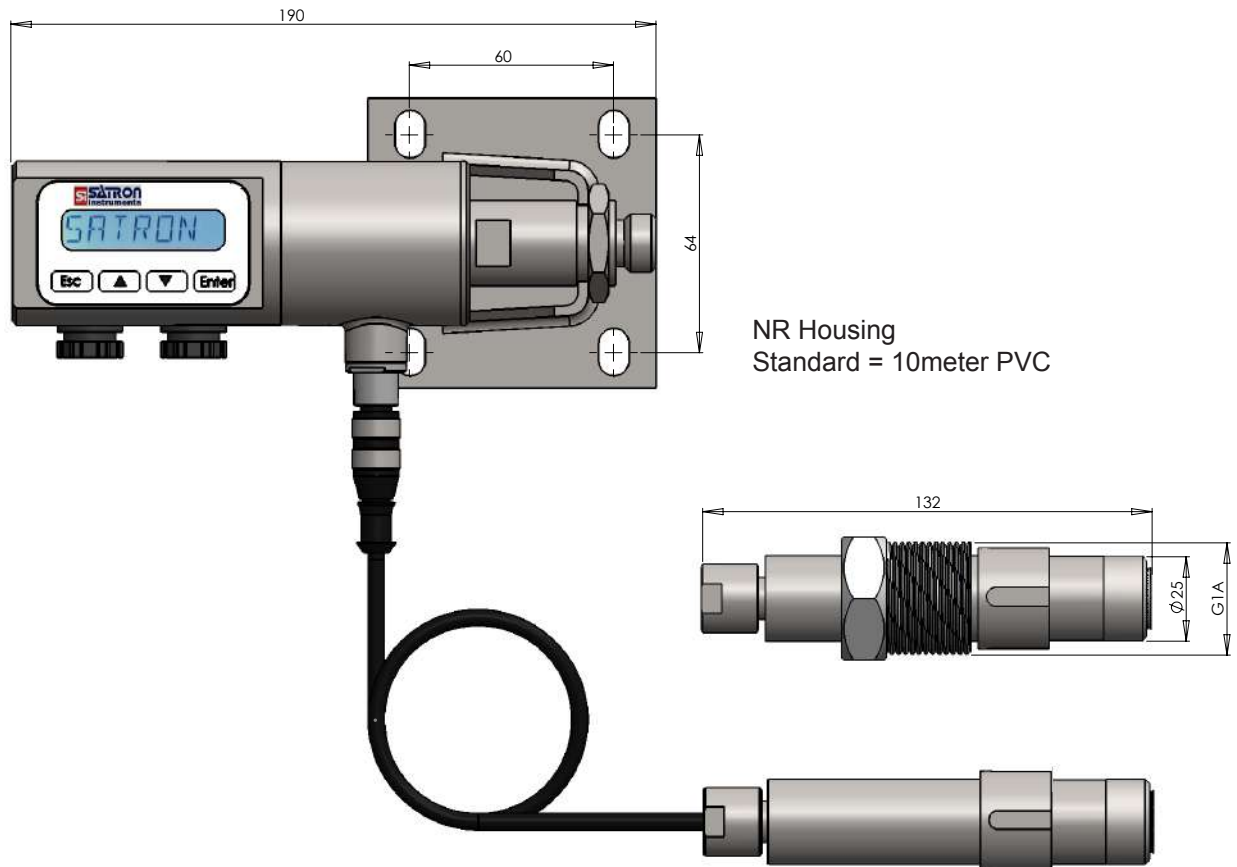
External power supply

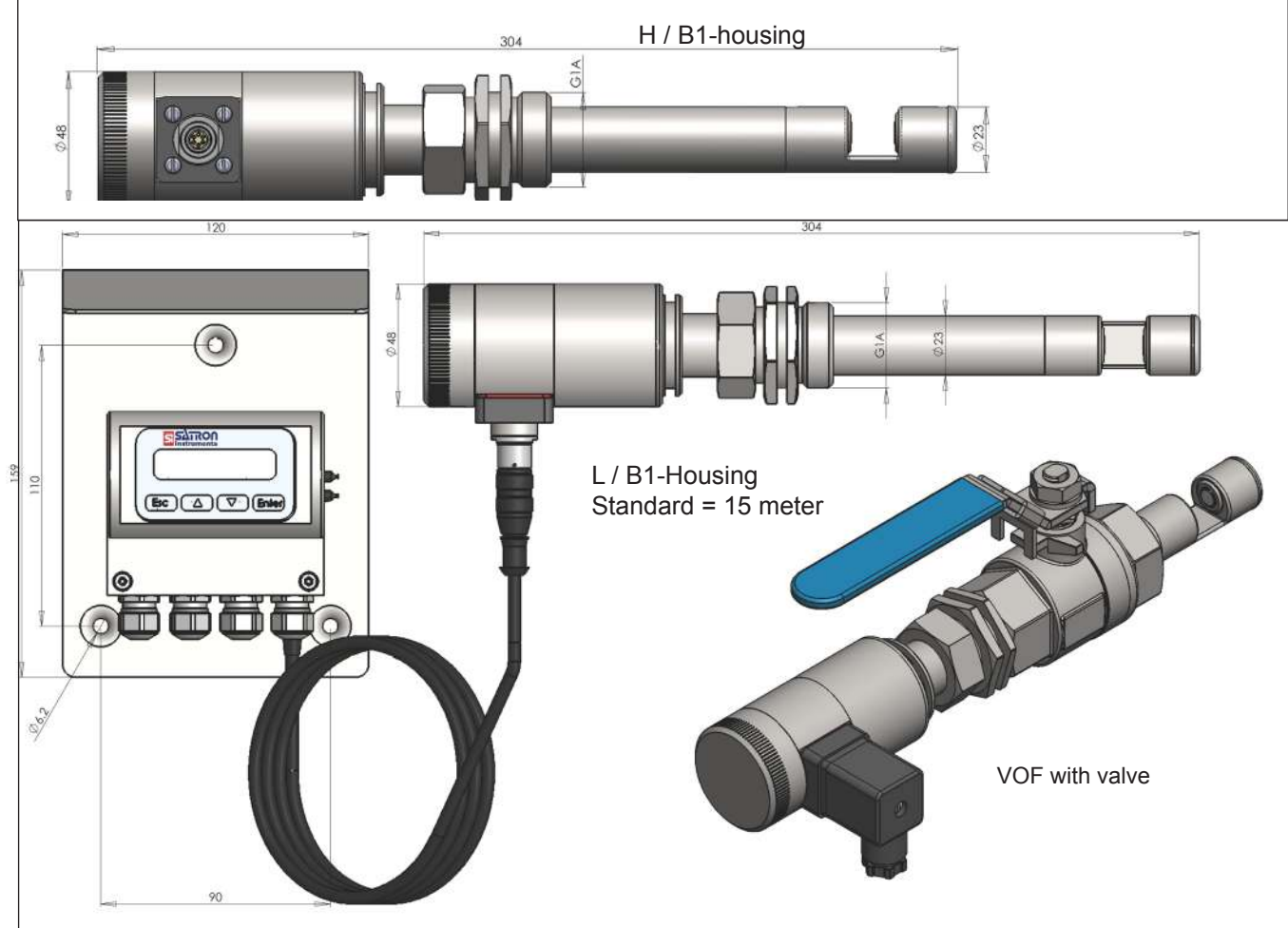
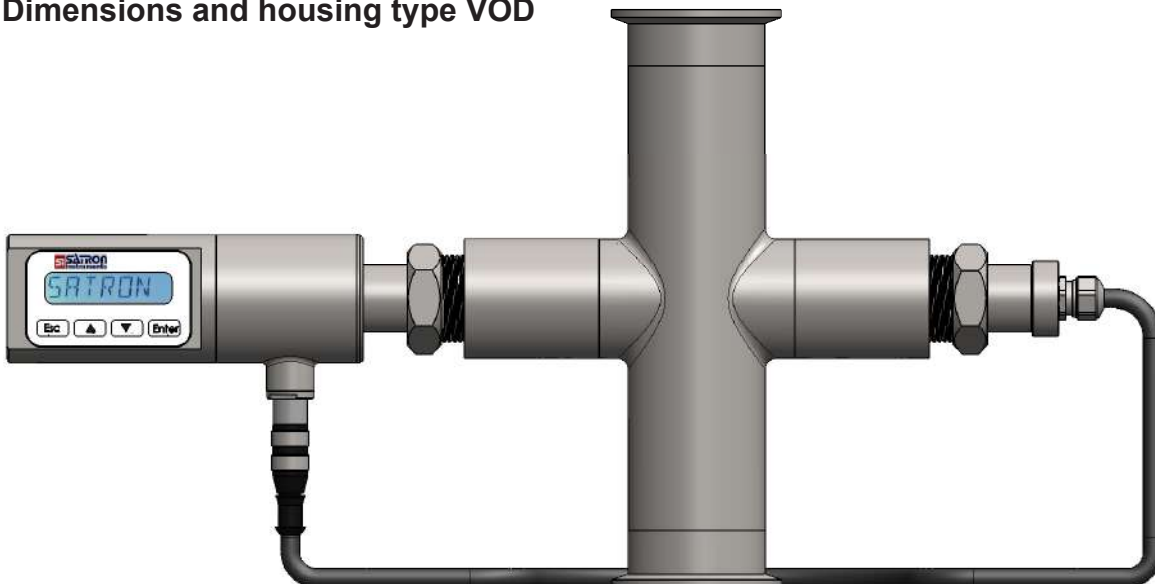
¹⁾ Parts in contact with process medium

SATRON VO Turbidity and solids content sensor

Dimensions and Housing types VOM



SATRON VO Turbidity and solids content sensor**VOM with Tri-Clamp process connections, codes TA and TB****VOM with remote sensor, housing type code R**

SATRON VO Turbidity and solids content analyzer**Dimensions and housing type VOF****Dimensions and housing type VOD**

For easy installation the VOD is standard equipped with Tuchenhagen Type N but is available with many different process connections. The process pipe is NOT included.

Contact Satron for other possibilities, the picture above is a VOD equipped with G1" process connection, and a pipe with 51 Tri-clamp.

SATRON VO Turbidity and solids content analyzer

Instructions and spare parts that are according and within the 3-A appliance

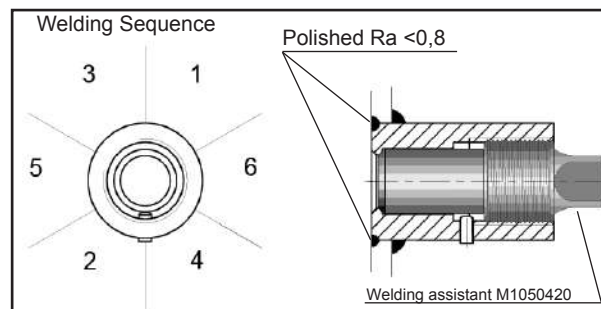


46 - 03

Welding the coupling

These instructions apply to hygienic welded couplings; welding the G1 standard coupling is described here as an example.

- Place the coupling in the mounting hole as shown in Fig. 1-4. Make sure the leakage detection port is down. Then weld with several runs so to prevent the coupling's oval distortion and tightness problems. The inside welding must be cleaned, and polished with an end result of Ra <0,8
- The analyzer must be **out of the coupling** while the coupling is welded. You can use the shut-off plug shown in Fig. 1-5 to shut the coupling. The plug protects the coupling's sealing face and permits the starting of the process without the transmitter.
- It is always recommendable to use the welding assistant (M1050450) while welding the coupling to prevent any distortions due to heat.
- Do not make weld grounding via any analyzer's body!



Mounting the analyzer on the coupling

Procedure

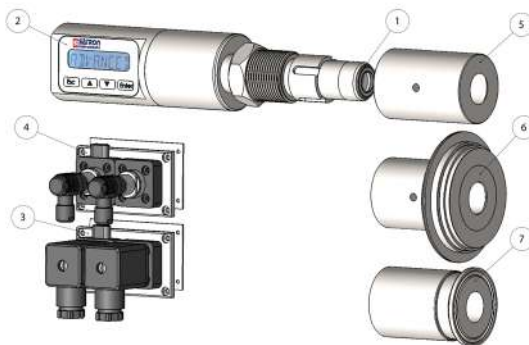
- Make sure that the coupling's sealing face is clean.
- Remove the orange protective plug from the analyzer head.
- Insert the analyzer **in a straight line** into the coupling, so that the guide groove on the transmitter aligns with the stop pin on the coupling. The analyzer settles into position when the groove and pin are aligned, and will be prevented from rotating in the coupling.

When inserting the analyzer, be careful not to damage the edge of the lens on the edges of the coupling or on the end of the stop pin!

- Lock the transmitter in position by screwing the hex nut fully home. Finger tightness is sufficient to tighten the sealing faces. However, we recommend final tightening with a tool to eliminate the effect of vibration and other such factors. Apply 60±20 Nm torque.

Do not use sealing tape etc. on threaded connection!

Spare parts



No.	Part name	Order code	Note
1	O-ring EPDM	80031720	3A 18-03 Class II (Do not exceed above 8% fat content).
1	O-ring FPM (Viton®)	80011720	3A 18-03 Class I
1	O-ring FFPM(Kalrez®)	80041717	3A 18-03 Class I
2	Sticker	T1325215	
3	Plug cover DIN43650	T1325003	
4	Plug cover M12	T1325005	
5	38/G1" Welding adapter	M1050577A	
5	45/G1" Welding adapter	M548101A	
6	Tuchenhagen / Varivent DN25	M1050090A	
6	Tuchenhagen / Varivent DN50	M1050091A	
6	Tuchenhagen / Varivent DN65,5	M1050092A	
7	Tri-clover 25/38 ISO2852	M1050206A	
7	Tri-clover 40/51 ISO2852	M1050222A	
7	Tri-clover 63.5 ISO2852	M1050224A	

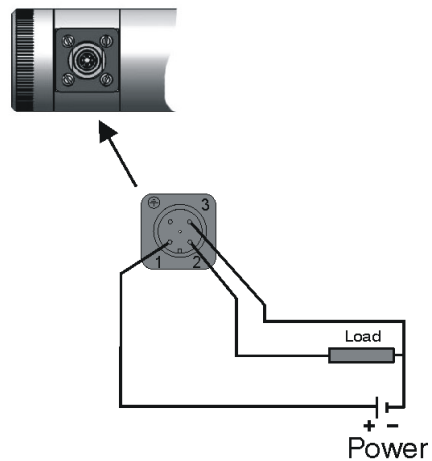
SATRON VO Turbidity and solids content analyzer



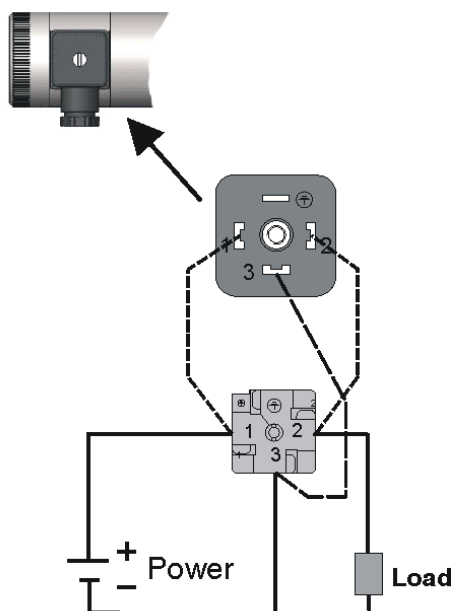
Housing with display, code N

Keyboard :

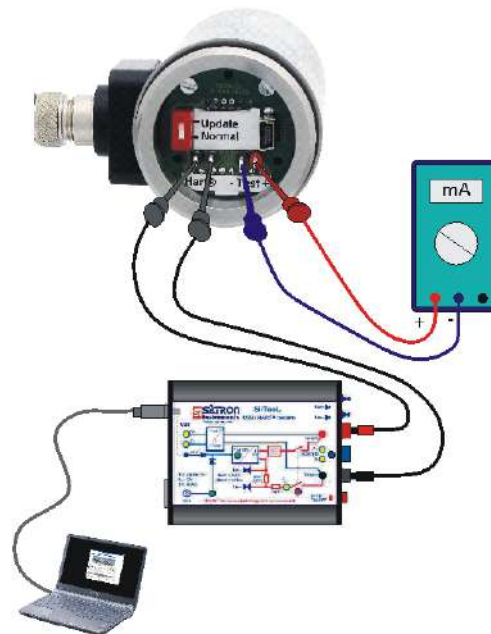
- Esc = Press **Esc** move back towards the top of the main menu.
- ▲ = Use the **UP** arrow key to move up on the current menu level or to increase the selected parameter value.
- ▼ = Use the **DOWN** arrow key to move down on the current menu level or to decrease the selected parameter value.
- Enter = Press **ENTER** to move to a lower level in a menu or to accept a command or parameter value



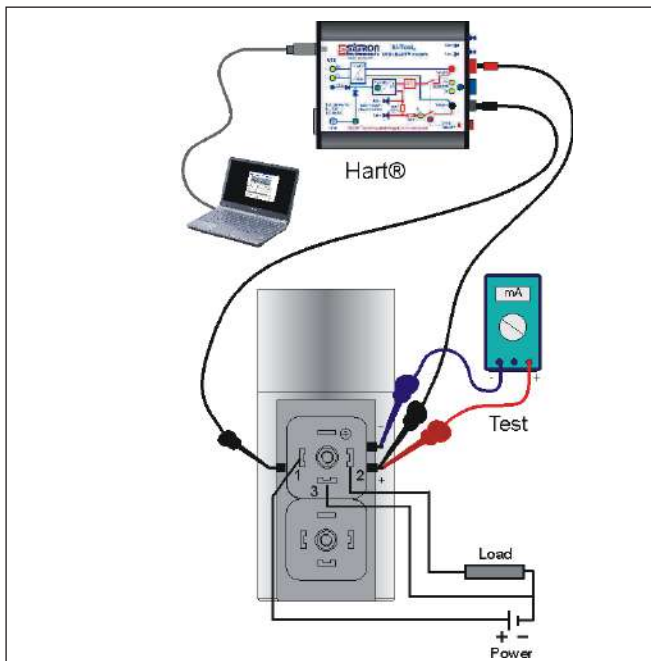
Wiring
Housing with M12-connector, code HT



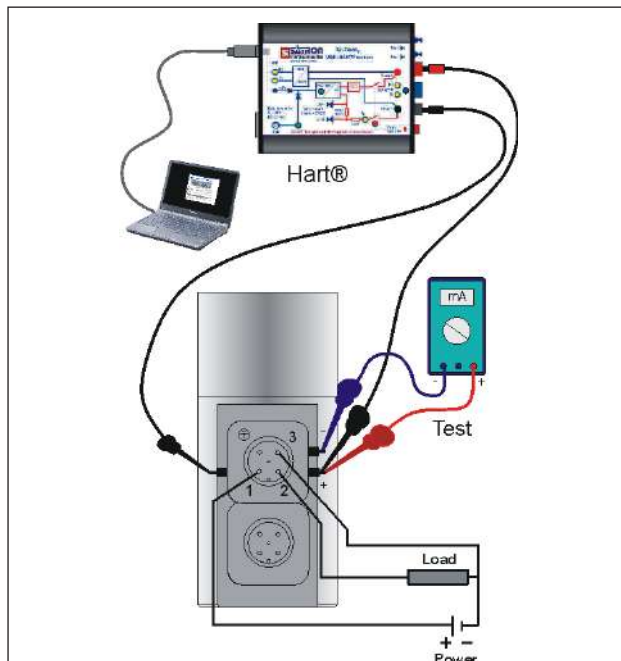
Wiring
Housing with PLUG DIN43650-connector, code HS



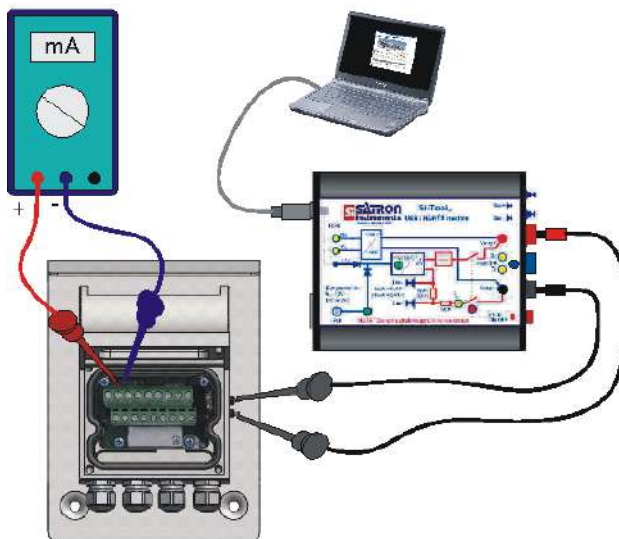
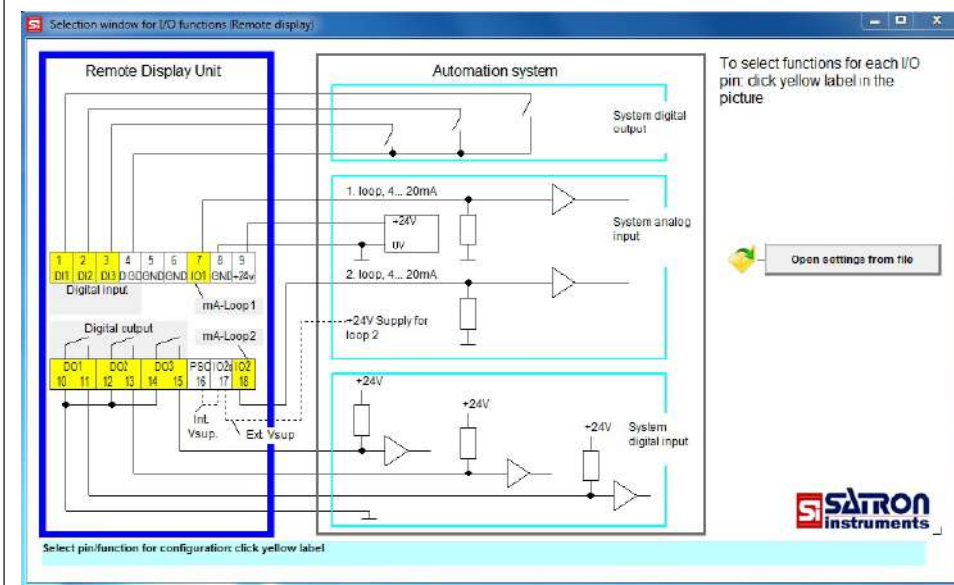
Wiring
Housing with PLUG DIN43650- and M12-connector, test connector box, code HT & HS



Wiring
Housing with display and PLUG DIN43650-connector,
code **NS**



Wiring
Housing with display and M12-connector, code **NT**



Wiring
Remote electronics housing with display, code **L**

SATRON VO Turbidity and solids content analyzer

Selection Chart

Adjustability	Span, min	Span, max			
VOM	1000 FTU	5000 FTU			
VOF(*)	50 FTU	1500 FTU			
VOD	50 FTU	1500 FTU			
Process temperature limits	N	Normal version	-5...+100 °C (VOM & VOD), 0...+100 °C (VOF)		
	H(**)	High temperature	-5...+140 °C (VOM & VOD), 0...+140°C (VOF)		
Output	S	4-20mA DC/HART® for use with 230VAC 50Hz			
	J	4-20mA DC/HART® for use with 110VAC 60Hz			
Material of wetted parts	Body	Lens	Seal	3A 18-03	
	2	AISI316L	2	Sapphire glass	1(***) EPDM Class II
	3	Hast. C 276	4	Spinel	2 FPM (Viton®) Class I
	6	Titanium Gr2			3 FPM (Kalrez®) Class I
	8	Duplex (EN 1.4462)			
	9	Peek			
Housing type	N	Housing with display and pushbuttons			
	H	Housing with, no display, (only one mA output)			
	L	Remote electronics housing with display			
Probe type	0	No remote probe			
	R	Remote measuring probe (not available with L housing), IP68			
Connection type	S	DIN43650 with PG9, IP66			
	T	M12, IP67			
	V	PG9 (always with L housing), IP66			
Cable Material	0	No VOD, L or R selected			
	1	PUR cable.			
	2(*)	AISI316L braided PTFE hose.			
	3	Steel reinforced PUR hose.			
	4	PVC cable			
Cable length	0	No VOD or L, R option selected			
	1	5 M.	3	15 M. (PUR std.)	5 25 M.
	2	10 M. (PVC std.)	4	20 M.	...
Light source	2	365nm	4	540nm	6 640nm
	3	460nm	5	580nm	7 880nm
Process connections	G1	Standard G1A thread + Oring			
	TA	Tri-Clamp 25/38 (ISO 2852)			
	TB	Tri-Clamp 40/51 (ISO 2852)			
	TN	Tuchenhagen "N" type DN50			
	HX(*)	Fixed mounting tube, (specify length)			
	B1(*)	G1A ball valve insertion. Extension 19cm diameter ø 24mm			
	BX(*)	G1A ball valve insertion. Extension by request diameter ø 24mm			



Documentation

Calibration certificate **AE** English

Installation and operating instructions **IE** English **IF** Finnish **FR** French

Material certificates

0 No material certificate

MC1 Raw material certificate without appendices, in accordance with SFS-EN 10204-2.1 (DIN 50049-2.1) standard

MC2 Raw material certificate for wetted parts, in accordance with SFS-EN 10204-2.2 (DIN 50049-2.2) standard

MC3 Raw material certificate for wetted parts, in accordance with SFS-EN 10204-3.1 B (DIN 50049-3.1 B) standard

* Not EHEDG certified & Not within the 3A approval

** Only in combination with Quartz, Sapphire lens and Kalrez Seals. And only 880nm

*** Do not exceed above 8% fat content.

We reserve the right for technical modifications without prior notice.

HART is the registered trademark of HART Communication Foundation.

Pasve is the registered trademark of Satron Instruments Inc.

Hastelloy is the registered trademark of Haynes International.

Viton is the registered trademark of DuPont Down Elastomer.

3-A is a registered mark owned and administered by 3-A SSI.



SATRON VOA Turbidity and solids content sensor

SATRON VOA turbidity and solids content analyzer

Is suitable for the measurement of different liquids. Savings can be obtained by using SATRON VOA analyzer in process industries, e.g. the use of clean water can be minimized, the time used for the cleaning (CIP) will be shortened, the use of the end product (in dairy applications: milk) and the use of cleaning materials needed in the process can be optimized. The transmitter communicates digitally using the HART® protocol.



TECHNICAL SPECIFICATIONS

Measuring range and span

See Selection Chart.

Zero and Span adjustment

Zero elevation: Calibrated span is freely selectable on the specified range depending from the desired option. This can be made by using keyboard (display option) or HART®275/375 communicator.

Damping

- Time constant is continuously adjustable 0.01 to 60 s.

Repeatability

- 0.1% from maximum span.

Temperature limits

Ambient: -30 to +80 °C
Process: -5 to +100 °C / +140 °C
Shipping and storage: -40 to +80 °C.

Output 3-wire (3W), 4-20 mA

Supply voltage

Nominal 24 VDC, (21,6 - 27,6V)

Humidity limits 0-100 % RH

EMC directive 2004/108/EC

- EN 61326-1:2005

CONSTRUCTION

Materials:

Sensing element ¹⁾: AISI316L, Duplex (EN. 1.4462), Hast. C276/C22, or Titanium Gr2.

Surface quality: Polished Ra <0,8µm
Lens: quartz glass, Safir glass or PC plastic

Coupling ¹⁾: AISI316L, Duplex (EN 1.4462), Hast.C276 or Titanium Gr2

Other sensing element materials: AISI316, SIS 2343.

Pressure class:

- PN40
- Test pressure -1 to 30 bar

Housing with display,

codes **N0S** & **N0T**:

Housing: AISI303/316, Seals: Nitrile-rubber and Viton®,
Nameplates: Polyester

Housing with M12 connector, code

H0T: Housing: AISI303/316, Seals: Viton® and NBR.

Housing with PLUG DIN 43650 connector, code **H0S**:

Housing: AISI303/316, Seals: Viton® and NBR.

PLUG connector: PA6-GF30 jacket, Silicone rubber seal, AISI316 retaining screw.

Connection hose between sensing element and housing

Codes **L** and **R** :

PUR signal cable or hose protected with PTFE/AISI316 braiding

Calibration

For customer-specified range with minimum damping. (If range is not specified, transmitter is calibrated for maximum range.)

Electrical connections

Housing with PLUG connector, code

H0S:

Connector type DIN 43650 model AF; Pg9 gland for cable; wire cross-section 0.5 to 1.5 mm².

Housing with M12 connector, code **H0T**:

M12 plug connector

Housing with display, code **N0S**:

Connector type DIN 43650 model AF; Pg9 gland for cable; wire cross-section 0.5 to 1.5 mm².

Housing with display, code **N0T**:

M12 plug connector

I/O-connections

bin1-3

Relay, grounding contact

Maximum voltage 35 V
Maximum current 50 mA
Maximum leakage current 10 µA

bin1-3

NC (no connection) OFF
0...2 V ON

Minimum values for switch in use

Voltage 16 V
Current 4 mA
Leakage current 1 mA

Current output1

Range 3.5...23 mA
Maximum load 600 Ω
Factory setting 4...20 mA

Current output2

Internal power supply

Current output 2 has same ground as binary IO

Maximum load 400 Ω
Range 3.5...23 mA
Factory setting 4...20 mA
External power supply
Current output 2 is galvanically isolated

Maximum supply voltage 35 VDC

Range 3.5...23 mA
Factory setting 4...20 mA
Maximum load, See picture below
Maximum isolation voltage 100 VDC

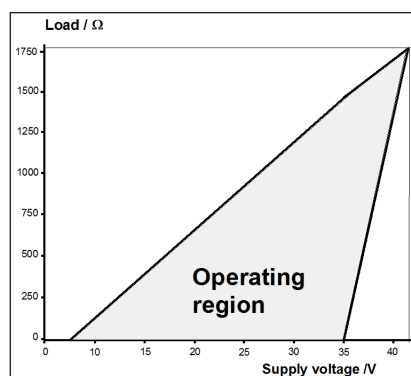
Process connections

- With G1 connecting thread
- Tri-Clamp 25/38 and 40/51

Protection class: See Selection chart.

Weight

Housing with PLUG DIN43650 connector (**H0T**): 0.9 kg
Housing with M12 connector (**H0S**): 0.9 kg
Housing with display (**N0S** & **N0T**): 1.3 kg
Remote Housing (**L**): 2.5 kg
Remote sensor (**R**): 2.5 kg



Min. load using HART®-communication 250 R

R max = $\frac{\text{Supply voltage} - 5 \text{ V}}{I \text{ max}}$

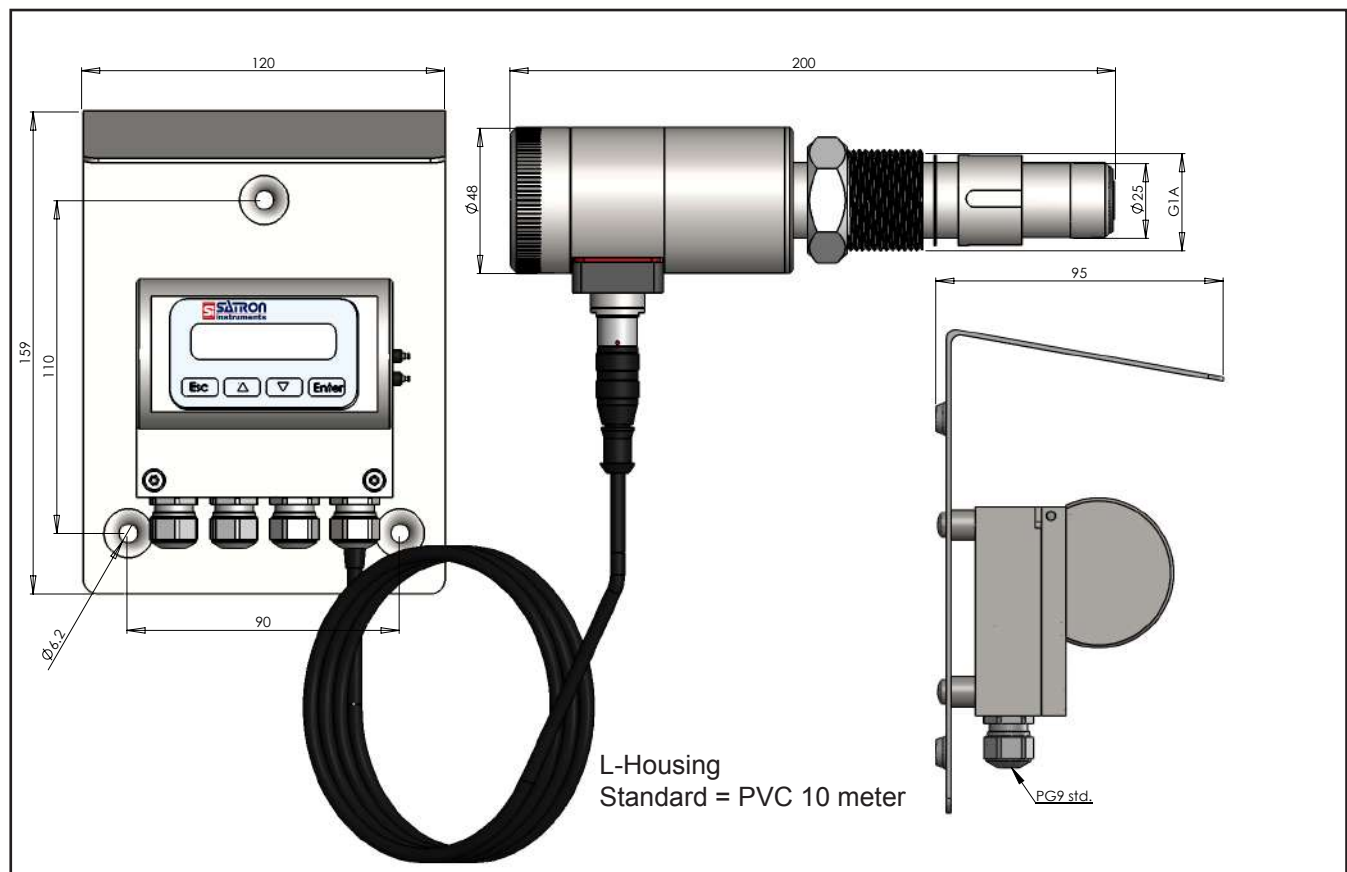
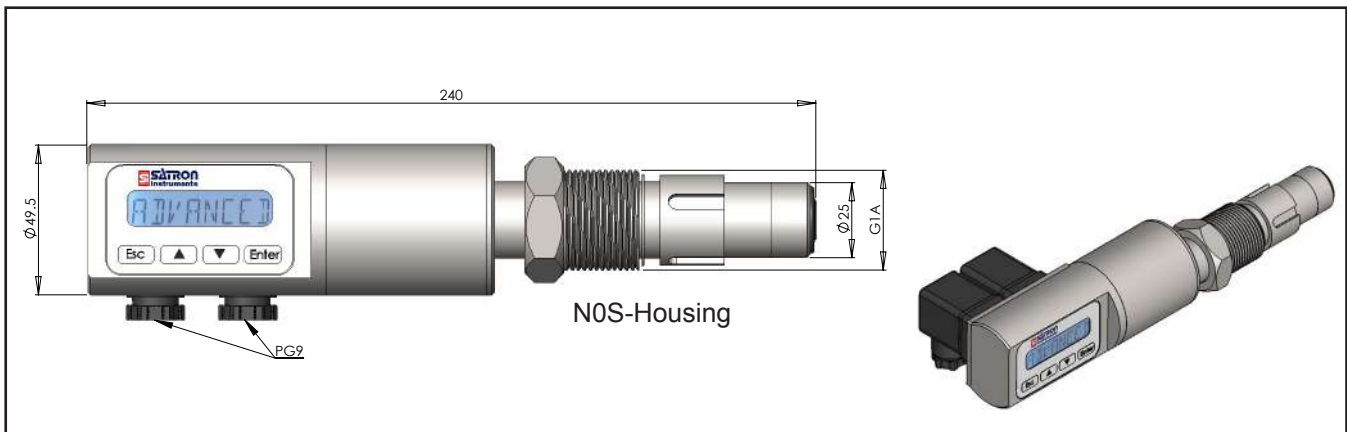
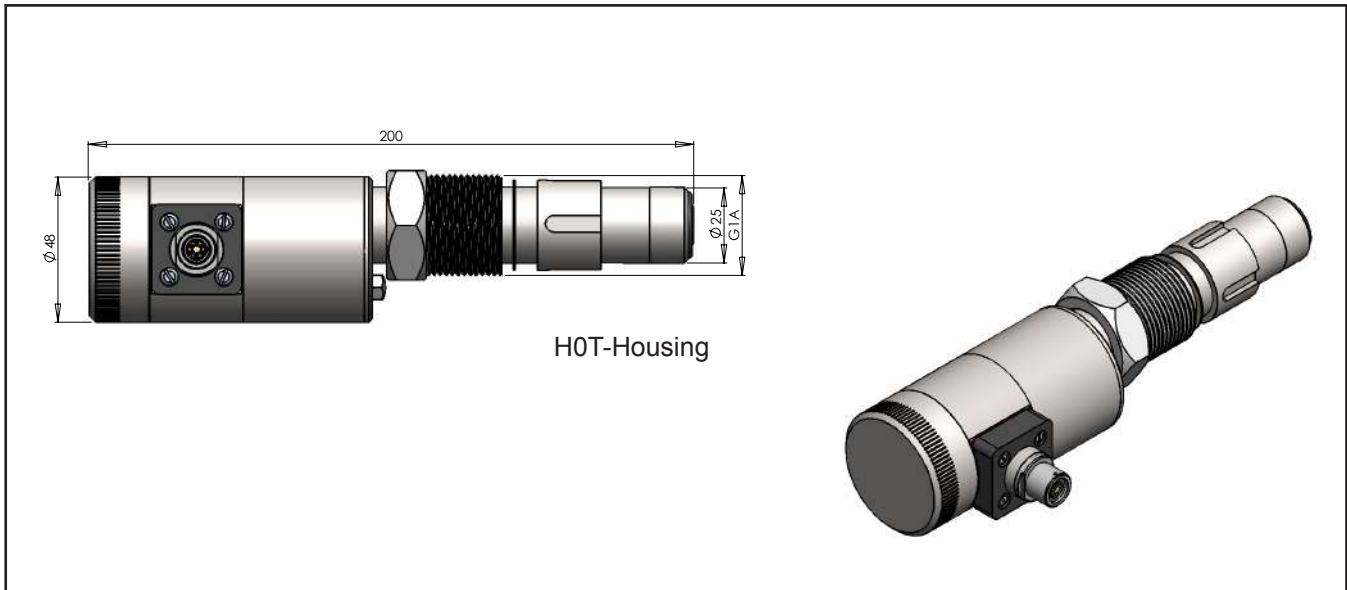
I max = 20,5 mA
I max = 22,5 mA
(when the alarm current 22,5 mA is on)

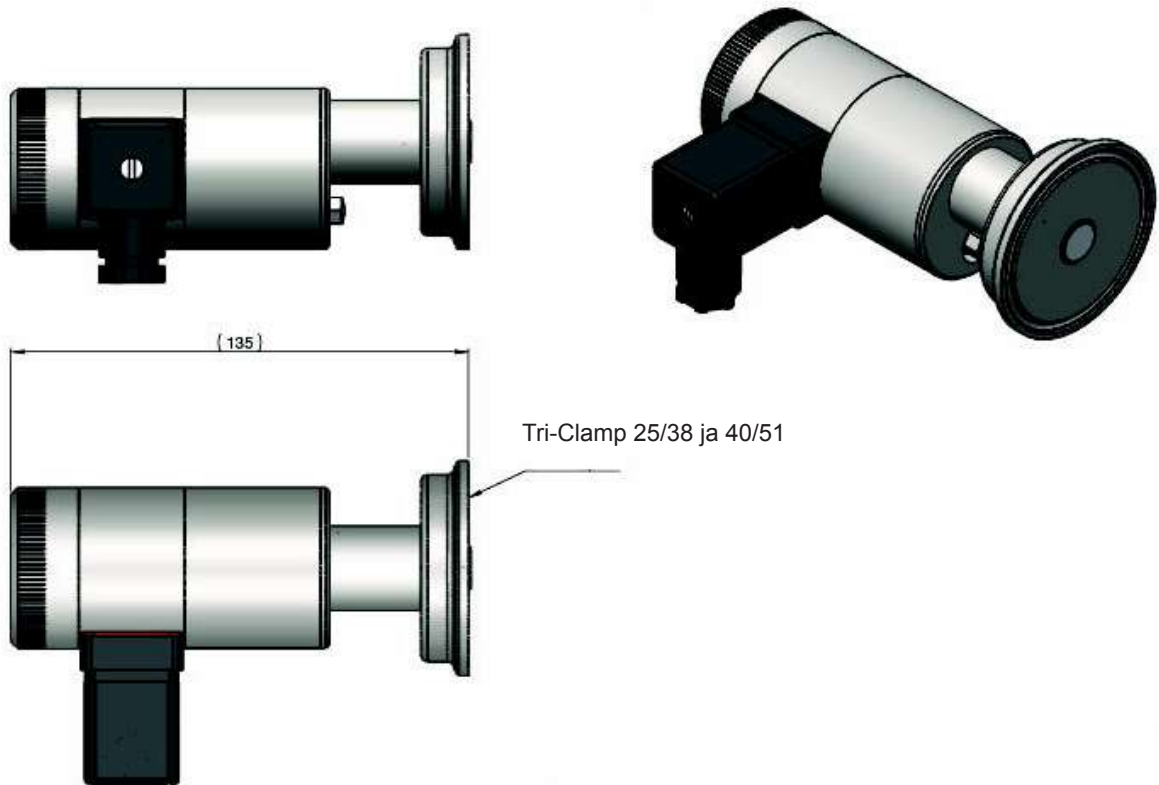
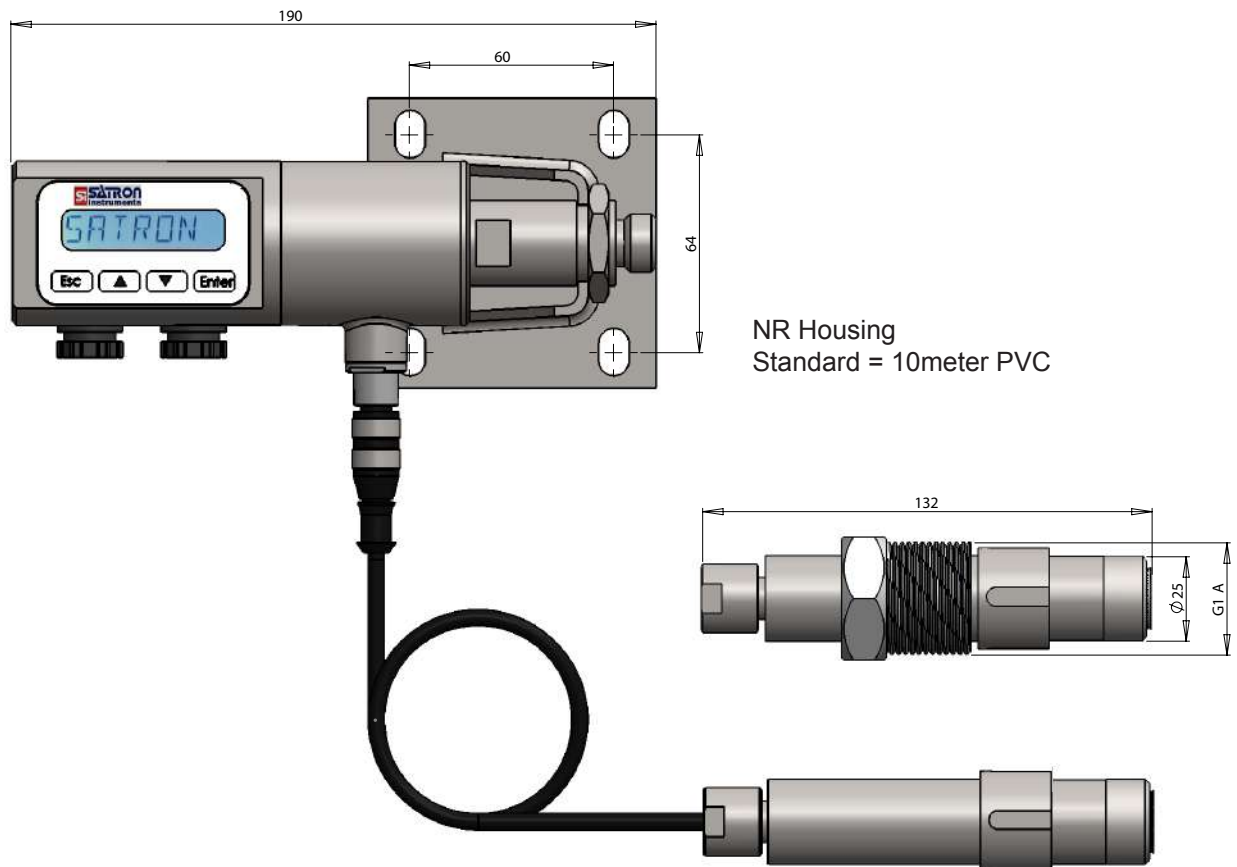
Current output 2
External power supply

¹⁾ Parts in contact with process medium

SATRON VOA Turbidity and solids content sensor

Dimensions and Housing types VOA



SATRON VOA Turbidity and solids content sensor**VOA with Tri-Clamp process connections, codes TA and TB****VOA with remote sensor, housing type code R**

SATRON VOA Turbidity and solids content sensor

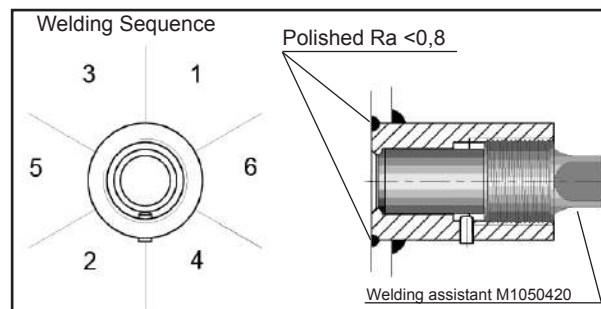
Instructions and spare parts that are according and within the 3-A appliance



Welding the coupling

These instructions apply to hygienic welded couplings; welding the G1 standard coupling is described here as an example.

- Place the coupling in the mounting hole as shown in Fig. 1-4. Make sure the leakage detection port is down. Then weld with several runs so to prevent the coupling's oval distortion and tightness problems. The inside welding must be cleaned, and polished with an end result of Ra <0,8
- The analyzer must be **out of the coupling** while the coupling is welded. You can use the shut-off plug shown in Fig. 1-5 to shut the coupling. The plug protects the coupling's sealing face and permits the starting of the process without the transmitter.
- It is always recommendable to use the welding assistant (M1050450) while welding the coupling to prevent any distortions due to heat.
- Do not make weld grounding via any analyzer's body!



Mounting the analyzer on the coupling

Procedure

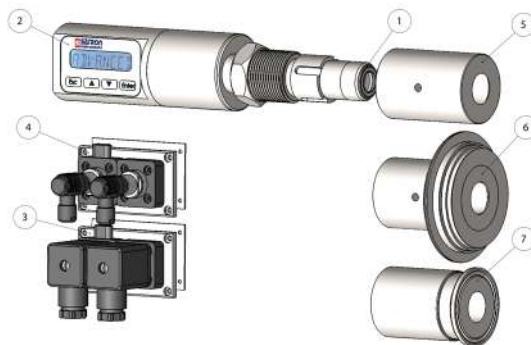
- Make sure that the coupling's sealing face is clean.
- Remove the orange protective plug from the analyzer head.
- Insert the analyzer **in a straight line** into the coupling, so that the guide groove on the transmitter aligns with the stop pin on the coupling. The analyzer settles into position when the groove and pin are aligned, and will be prevented from rotating in the coupling.

When inserting the analyzer, be careful not to damage the edge of the lens on the edges of the coupling or on the end of the stop pin!

- Lock the transmitter in position by screwing the hex nut fully home. Finger tightness is sufficient to tighten the sealing faces. However, we recommend final tightening with a tool to eliminate the effect of vibration and other such factors. Apply 60±20 Nm torque.

Do not use sealing tape etc. on threaded connection!

Spare parts



No.	Part name	Order code	Note
1	O-ring EPDM	80031720	3A 18-03 Class II (Do not exceed above 8% fat content).
1	O-ring FPM (Viton®)	80011720	3A 18-03 Class I
1	O-ring FFPM(Kalrez®)	80041717	3A 18-03 Class I
2	Sticker	T1325215	
3	Plug cover DIN43650	T1325003	
4	Plug cover M12	T1325005	
5	38/G1" Welding adapter	M1050577A	
5	45/G1" Welding adapter	M548101A	
6	Tuchenhagen / Varivent DN25	M1050090A	
6	Tuchenhagen / Varivent DN50	M1050091A	
6	Tuchenhagen / Varivent DN65,5	M1050092A	
7	Tri-clover 25/38 ISO2852	M1050206A	
7	Tri-clover 40/51 ISO2852	M1050222A	
7	Tri-clover 63.5 ISO2852	M1050224A	

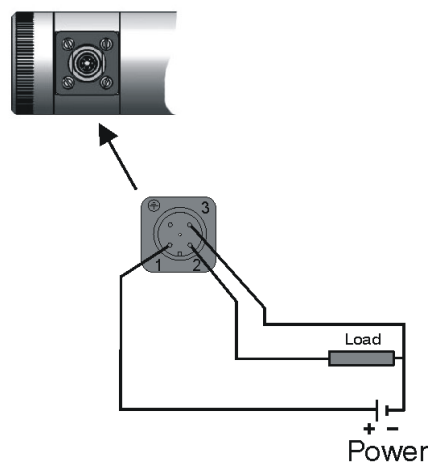
SATRON VOA Turbidity and solids content sensor



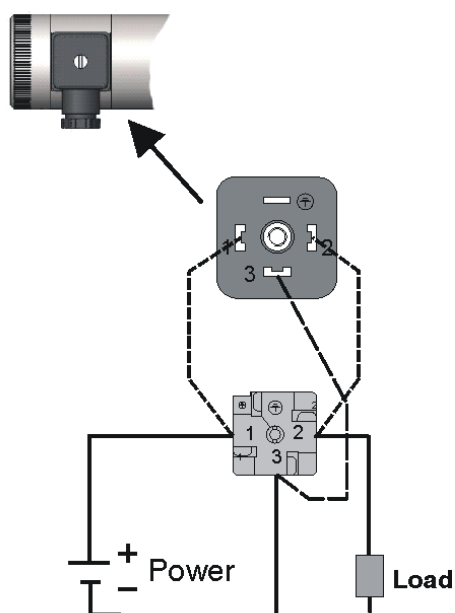
Housing with display, code N

Keyboard :

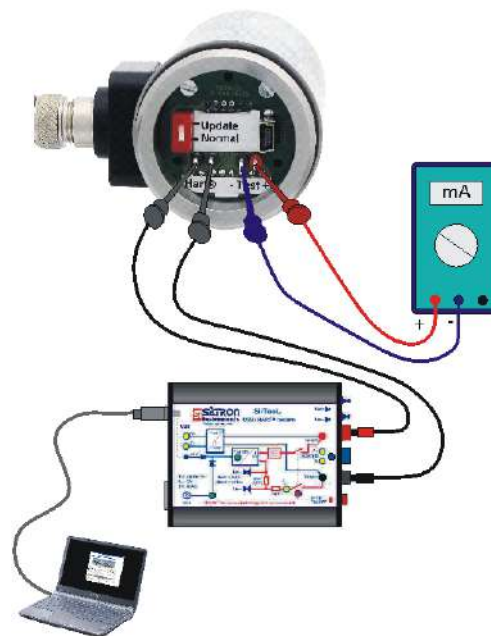
- Esc = Press **Esc** move back towards the top of the main menu.
- ▲ = Use the **UP** arrow key to move up on the current menu level or to increase the selected parameter value.
- ▼ = Use the **DOWN** arrow key to move down on the current menu level or to decrease the selected parameter value.
- Enter = Press **ENTER** to move to a lower level in a menu or to accept a command or parameter value



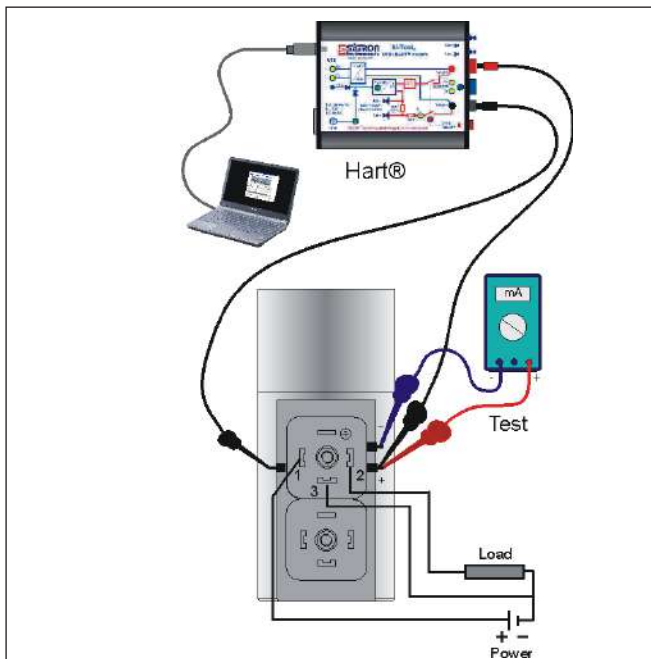
Wiring
Housing with M12-connector, code HT



Wiring
Housing with PLUG DIN43650-connector, code HS

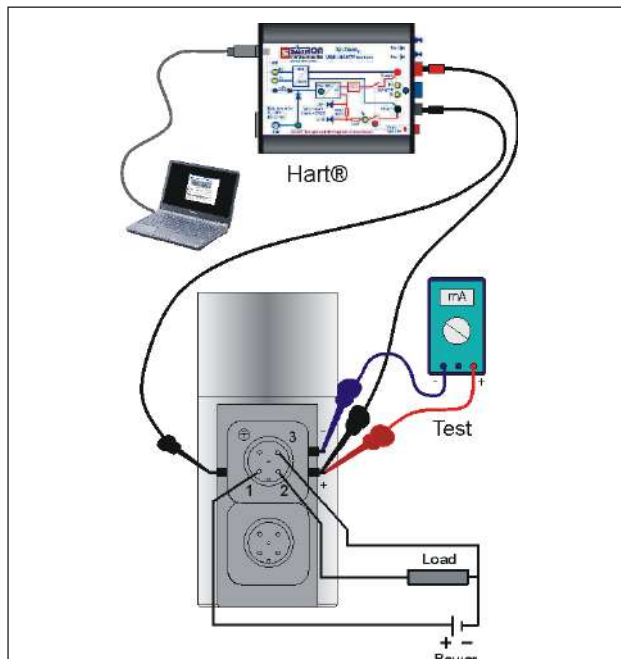


Wiring
Housing with PLUG DIN43650- and M12-connector, test connector box, code HT & HS



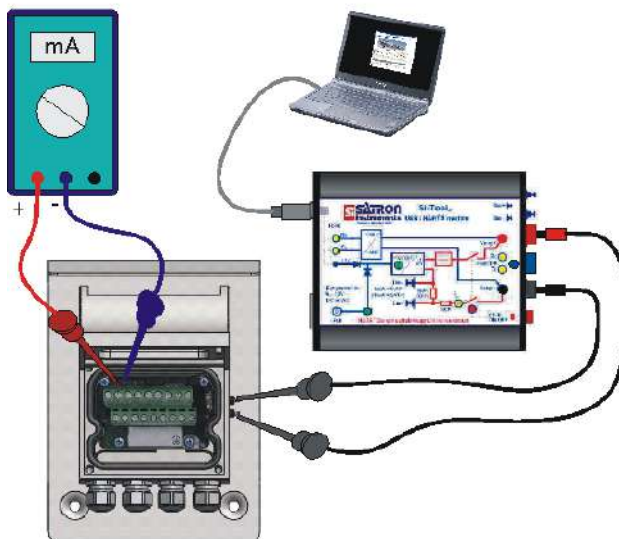
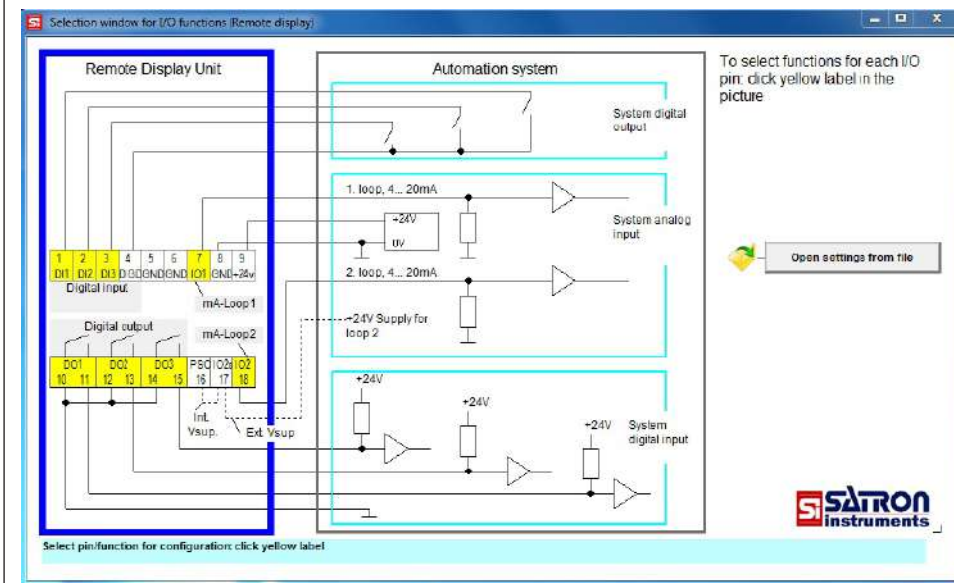
Wiring

Housing with display and PLUG DIN43650-connector, code **NS**



Wiring

Housing with display and M12-connector, code **NT**



Wiring

Remote electronics housing with display, code **L**

SATRON VOA Turbidity and solids content sensor**Selection Chart**

Adjustability VOA	Span, min 500 FTU	Span, max 25 000 FTU	Depending on process media		
Process temperature limits		N	Normal version -5...+100 °C		
		H(**)	High temperature -5...+140 °C		
Output		S	4-20mA DC/HART® for use with 230VAC 50Hz		
		J	4-20mA DC/HART® for use with 110VAC 60Hz		
Material of wetted parts	Body	2	AISI316L	Lens	2 Sapphire glass
		3	Hast. C 276		4 Spinel
		6	Titanium Gr2	Seal	1(***) EPDM
		8	Duplex (EN 1.4462)		2 FPM (Viton®)
		9	Peek		3 FFPM (Kalrez®)
Housing type		N	Housing with display and pushbuttons		
		H	Housing with, no display, (only one mA output)		
		L	Remote electronics housing with display		
Probe type		0	No remote probe		
		R	Remote measuring probe (not available with L housing), IP68		
Connection type		S	DIN43650 with PG9, IP66		
		T	M12, IP67		
		V	PG9 (always with L housing), IP66		
Cable Material		0	No L or R selected		
		1	PUR cable.		
		2(*)	AISI316L braided PTFE hose.		
		3	Steel reinforced PUR hose.		
		4	PVC cable		
Cable length		0	No L, R option selected		
		1	5 M.	3	15 M. (PUR std.)
		2	10 M. (PVC std.)	4	20 M.
				5	25 M.
					...
Light source		3	RED, INFRA RED & BLUE		
		4	RED, INFRA RED & GREEN		
Process connections					
G1		Standard G1A thread + Oring			
TA		Tri-Clamp 25/38 (ISO 2852)			
TB		Tri-Clamp 40/51 (ISO 2852)			
TN		Tuchenhagen "N" type DN50			
HX(*)		Fixed mounting tube, (specify length)			
B1(*)		G1A ball valve insertion. Extension 19cm diameter ø 24mm			
BX(*)		G1A ball valve insertion. Extension by request diameter ø 24mm			

DocumentationCalibration certificate **AE** EnglishInstallation and operating instructions **IE** English **IF** Finnish **FR** French**Material certificates****0** No material certificate**MC1** Raw material certificate without appendices, in accordance with SFS-EN 10204-2.1 (DIN 50049-2.1) standard**MC2** Raw material certificate for wetted parts, in accordance with SFS-EN 10204-2.2 (DIN 50049-2.2) standard**MC3** Raw material certificate for wetted parts, in accordance with SFS-EN 10204-3.1 B (DIN 50049-3.1 B) standard

* Not EHEDG certified & Not within the 3A approval

** Only in combination with Quartz, Sapphire lens and Kalrez Seals. And only 880nm

*** Do not exceed above 8% fat content.

We reserve the right for technical modifications without prior notice.

HART is the registered trademark of HART Communication Foundation.

Pasve is the registered trademark of Satron Instruments Inc.

Hastelloy is the registered trademark of Haynes International.

Viton is the registered trademark of DuPont Down Elastomer.

3-A is a registered mark owned and administered by 3-A SSI.

TYPE EL - CLASS I
JANUARY 2010

SATRON VCT Optical Consistency Transmitter

SATRON VCT is an optical consistency transmitter. It is suitable for all pulps consisting of a single grade, in consistency range of 0...7%Cs located mainly within the mechanical pulp processes (SWG, TMP, PWG and CTMP). Typical applications are measurements to screens, outlet from latency removal chest, screen rejects and many others. The **Satron VCT** can provide an accurate and reliable consistency measurement without need for regular maintenance.

TECHNICAL SPECIFICATIONS

Measuring range and span

See Selection Chart.

Zero and Span adjustment

Zero elevation: Calibrated span is freely selectable on the specified range depending from the desired option. This can be made by using keyboard (display option) or HART@275/375 communicator.

Damping

- Time constant is continuously adjustable 0.01 to 60 s.

Repeatability

- 0.01% Cs.

Temperature limits

Ambient: -30 to +80 °C

Process: 0 to + 140 °C

Shipping and storage: -40 to +80 °C.

Output 3-wire (3W), 4-20 mA

Supply voltage and permissible load

- 24 VDC, -10 %, + 15 %, 100 mA

- 115/230 VAC, -15% ... +10% (device enclosure)

Humidity limits 0-100 % RH

EMC directive 2004/108/EC

- EN 61326-1:2005

CONSTRUCTION

Materials:

Sensing element ¹⁾: AISI316L (EN 1.4404), Duplex (EN. 1.4462), Hast. C276 (EN 2.4819), or Titanium Gr2.

Safir glass

Coupling ¹⁾: AISI316L (EN 1.4404), Duplex (EN 1.4462), Hast.C276 (EN 2.4819) or Titanium Gr2

Pressure class:

- PN25

Housing with display,

codes **NOS & NOT**:

Housing: AISI303/316, Seals: Nitrile-rubber and Viton®, Nameplates: Polyester

Housing with M12 connector, code

H0T: Housing: AISI303/316, Seals: Viton® and NBR.

Connection hose between sensing element and housing

Codes **L** and **R** :

PUR signal cable or hose protected with PTFE/AISI316 braiding

Device enclosure, code **K**:

EN 1.4301 (AISI304)

Calibration

For customer-specified range with minimum damping. (If range is not specified, transmitter is calibrated for maximum range.)

Electrical connections

Housing with PLUG connector, code

H0S:

Connector type DIN 43650 model AF; Pg9 gland for cable; wire cross-section 0.5 to 1.5 mm².

Housing with M12 connector, code **H0T**:

M12 plug connector

Housing with display, code **NOS**:

Connector type DIN 43650 model AF; Pg9 gland for cable; wire cross-section 0.5 to 1.5 mm².

Housing with display, code **NOT**:

M12 plug connector

Device enclosures (with display), code **K**:

- PG13,5 inlet, 3 pcs

- The sensor signal M12 plug connector.

I/O-connections

bout1-3

Relay, grounding contact

Maximum voltage 35 V

Maximum current 50 mA

Maximum leakage current 10 µA

bin1-3

NC (no connection) OFF

0...2 V ON

Minimum values for switch in use

Voltage 16 V

Current 4 mA

Leakage current 1 mA

Current output1

Range 3.5...23 mA

Maximum load 600 Ω

Factory setting 4...20 mA

Current output2

Internal power supply

Current output 2 has same ground as binary IO

Maximum load 400 Ω

Range 3.5...23 mA

Factory setting 4...20 mA

External power supply

Current output 2 is galvanically isolated

Maximum supply voltage 35 VDC



Range 3.5...23 mA
Factory setting 4...20 mA
Maximum load, See picture below
Maximum isolation voltage 100 VDC

Process connections

- With G1 connecting thread

Protection class: See Selection chart.

Weight

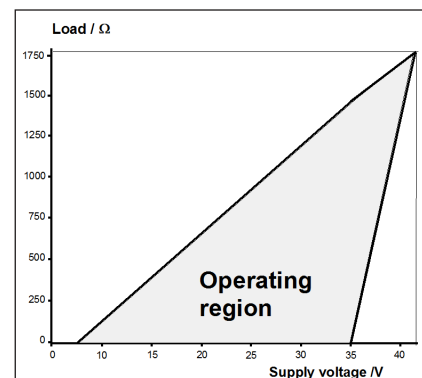
Housing with M12 connector (**H0T**): 1.3 kg

Housing with display (**NOS & NOT**): 1.7 kg

Remote Housing (**L**): 2.9 kg

Remote sensor (**R**): 2.9 kg

Device enclosure (**K**): 6,2 kg



Min. load using HART®-communication 250 W

$R_{max} = \frac{\text{Supply voltage} - 5 V}{I_{max}}$

$I_{max} = 20,5 \text{ mA}$

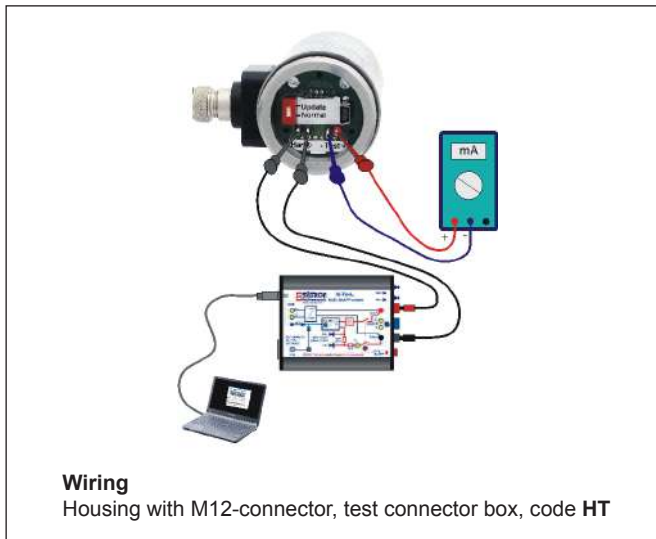
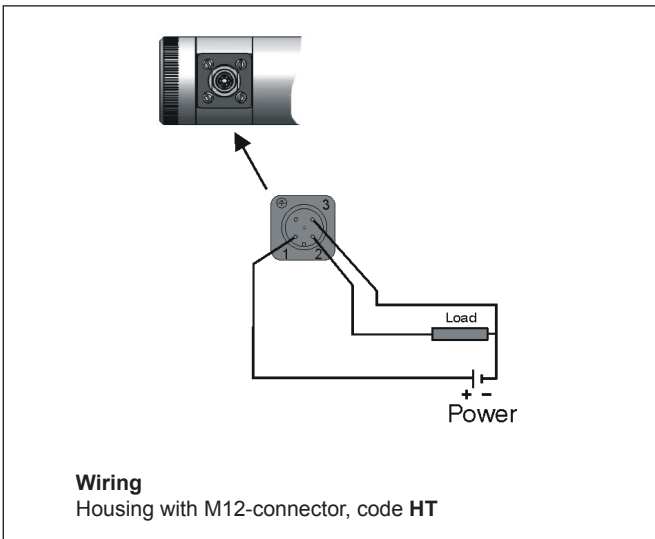
$I_{max} = 22,5 \text{ mA}$

(when the alarm current 22,5 mA is on)

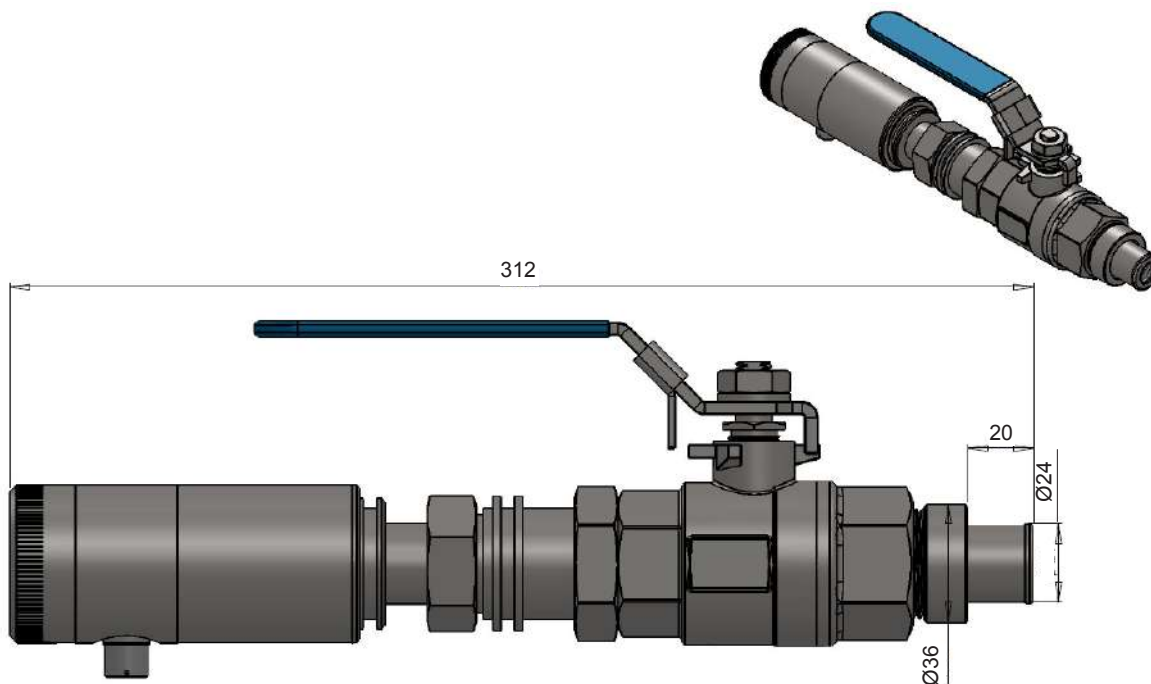
Current output 2

External power supply

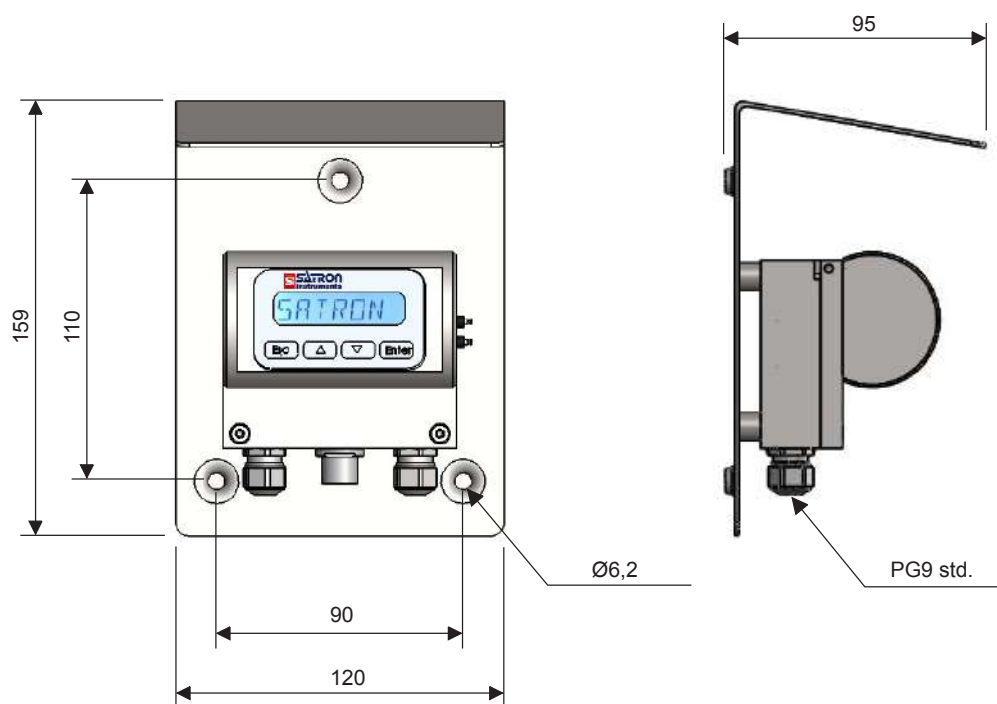
¹⁾ Parts in contact with process medium



Wiring
Remote electronics housing with display, code L



Dimensions Satron VCT



Satron VCT L-housing

Selection Chart

Adjustability	Span, min	Consistency Range		
VCT	1% Cs	0...7% Cs		
Process temperature limits		N	Normal version 0 ...+140 °C	
Output		S	4-20mA DC/HART®	
Material of wetted parts	Body	Lens	Seal	
	2	AISI316L (EN 1.4404)	2 Sapphire glass	1 EPDM
	3	Hast. C 276 (EN 2.4819)		2 FPM (Viton®)
	6	Titanium Gr2 (EN 3.7035)		3 FFPM (Kalrez®)
8	Duplex (EN 1.4462)			
Housing type		N	Housing with display and pushbuttons (only with remote probe "R")	
		H	Housing with, no display, (only one mA output)	
		L	Remote electronics housing with display	
Probe type		0	No remote probe	
		R	Remote measuring probe, IP68	
Connection type		T	M12, IP67	
		U	M12 & USB (only with N housing), IP67	
		V	PG9 (always with L housing), IP66	
Cable Material		0	No, L or R selected	
		1	PUR cable.	
		2	AISI316L braided PTFE hose.	
		3	Steel reinforced PUR hose.	
		4	PVC cable	
Cable length		0	No L or R option selected	
		2	15 meter	
Light source		7	880nm	
		9	High IR	
Process connections				
B1		G1A ball valve insertion. Extension diameter ø 24mm		
Device enclosure				
K		Remote electronic in the device enclosure. Power supply 115/230 V, IP66. Only housing type L and probe type R with display.		
Documentation				
Calibration certificate		AE	English	
Installation and operating instructions		IE	English	
		IF	Finnish	
		FR	French	
Material certificates				
0		No material certificate		
MC1		Raw material certificate without appendices, in accordance with SFS-EN 10204-2.1 (DIN 50049-2.1) standard		
MC2		Raw material certificate for wetted parts, in accordance with SFS-EN 10204-2.2 (DIN 50049-2.2) standard		
MC3		Raw material certificate for wetted parts, in accordance with SFS-EN 10204-3.1 B (DIN 50049-3.1 B) standard		

We reserve the right for technical modifications without prior notice.



HART is the registered trademark of HART Communication Foundation.
Hastelloy is the registered trademark of Haynes International.
Viton is the registered trademark of DuPont Down Elastomer.

SATRON VCA Optical Total Consistency Transmitter + Ash

The SATRON VCA is a multichannel optical transmitter. It is suitable for total & filler (ash %) consistency measurements in majority of the pulp & paper applications.

TECHNICAL SPECIFICATIONS

Measuring range and span

See Selection Chart.

Zero and Span adjustment

Zero elevation: Calibrated span is freely selectable on the specified range depending from the desired option. This can be made by using keyboard (display option) or HART@275/375 communicator.

Damping

- Time constant is continuously adjustable 0.01 to 60 s.

Repeatability

- 0.01% Cs.

Temperature limits

Ambient: -30 to +80 °C
Process: 0 to + 140 °C
Shipping and storage: -40 to +80 °C.

Output

2 current outputs for Cs:
3-wire (3W), 4-20 mA

Supply voltage and permissible load

- 24 VDC, -10 %, + 15 %, 100 mA
- 115/230 VAC, -15% ... +10% (device enclosure)

Humidity limits 0-100 % RH

EMC directive 2004/108/EC

- EN 61326-1:2005

CONSTRUCTION

Materials:

Sensing element ¹⁾: AISI316L (EN 1.4404), Duplex (EN. 1.4462), Hast. C276 (EN 2.4819), or Titanium Gr2. Safir glass
Coupling ¹⁾: AISI316L (EN 1.4404), Duplex (EN 1.4462), Hast.C276 (EN 2.4819) or Titanium Gr2

Pressure class:

- PN25

Housing with display,

codes **NOS & NOT**:

Housing: AISI303/316, Seals: Nitrile-rubber and Viton®, Nameplates: Polyester

Housing with M12 connector, code

HOT: Housing: AISI303/316, Seals: Viton® and NBR.

Connection hose between sensing element and housing

Codes **L** and **R** :
PUR signal cable or hose protected with PTFE/AISI316 braiding

Device enclosure, code **K**:

EN 1.4301 (AISI304)

Calibration

For customer-specified range with minimum damping. (If range is not specified, transmitter is calibrated for maximum range.)

Electrical connections

Housing with PLUG connector, code

HOS:

Connector type DIN 43650 model AF; Pg9 gland for cable; wire cross-section 0.5 to 1.5 mm².

Housing with M12 connector, code **HOT**:

M12 plug connector

Housing with display, code **NOS**:

Connector type DIN 43650 model AF; Pg9 gland for cable; wire cross-section 0.5 to 1.5 mm².

Housing with display, code **NOT**:

M12 plug connector

Device enclosures (with display), code

K:

- PG13,5 inlet, 3 pcs
- The sensor signal M12 plug connector.

I/O-connections

bout1-3

Relay, grounding contact

Maximum voltage 35 V
Maximum current 50 mA
Maximum leakage current 10 µA

bin1-3

NC (no connection) OFF
0...2 V ON

Minimum values for switch in use

Voltage 16 V
Current 4 mA
Leakage current 1 mA

Current output1

Range 3.5...23 mA
Maximum load 600 Ω
Factory setting 4...20 mA

Current output2

Internal power supply
Current output 2 has same ground as binary IO

Maximum load 400 Ω
Range 3.5...23 mA
Factory setting 4...20 mA

External power supply

Current output 2 is galvanically isolated
Maximum supply voltage 35 VDC
Range 3.5...23 mA
Factory setting 4...20 mA

Maximum load, See picture below
Maximum isolation voltage 100 VDC



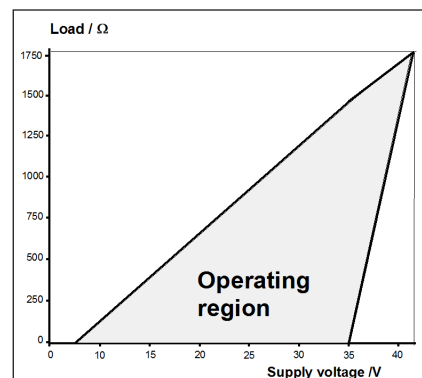
Process connections

- With G1 connecting thread

Protection class: See Selection chart.

Weight

Housing with M12 connector (**HOT**): 1.3 kg
Housing with display (**NOS & NOT**): 1.7 kg
Remote Housing (**L**): 2.9 kg
Remote sensor (**R**): 2.9 kg
Device enclosure (**K**): 6,2 kg



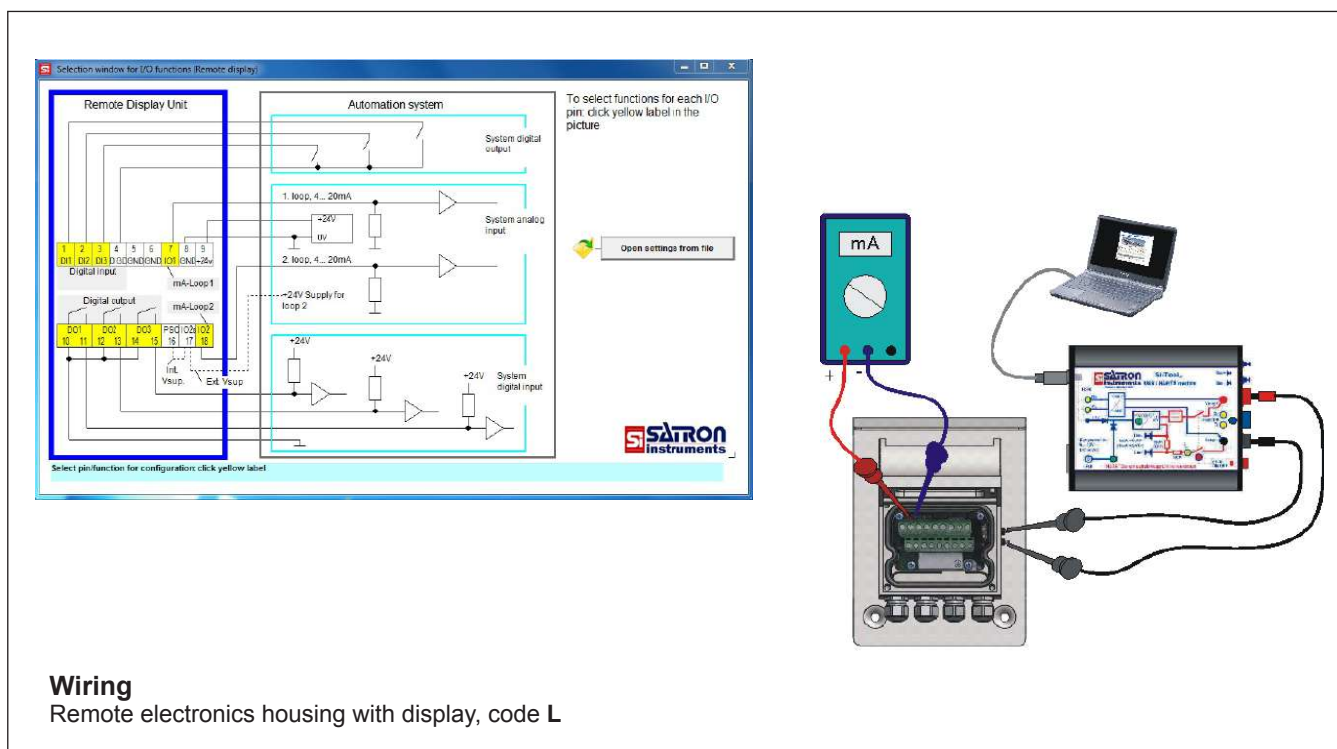
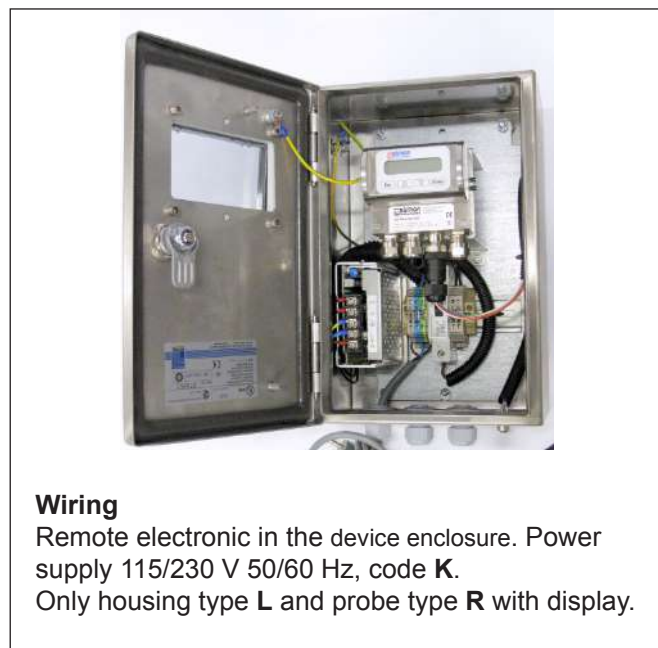
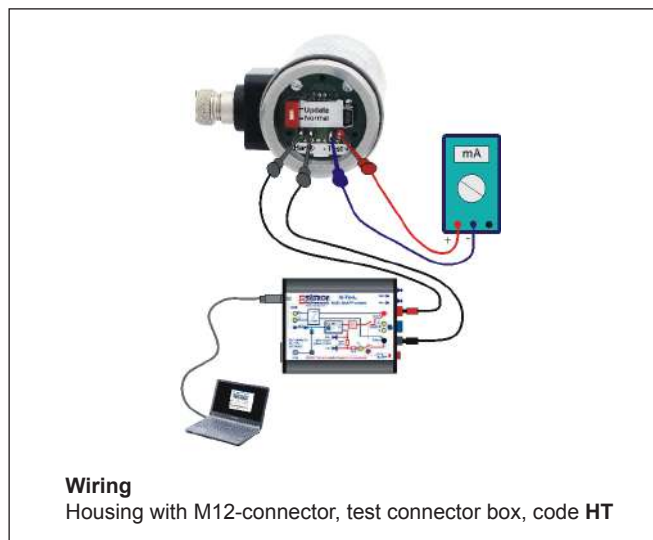
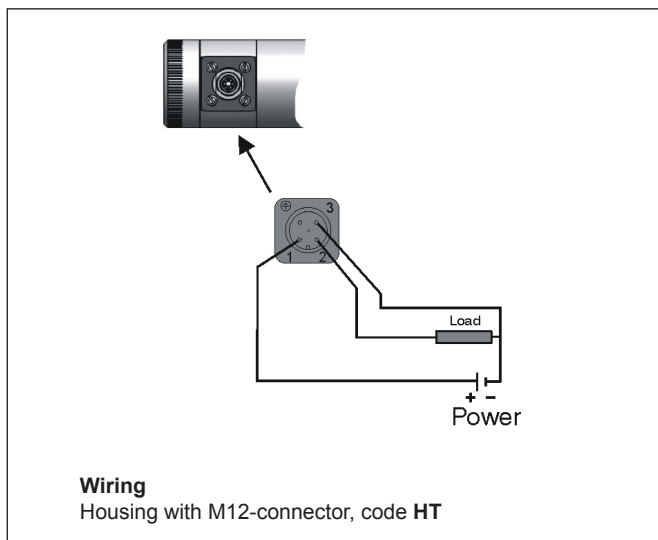
Min. load using HART®-communication 250 W

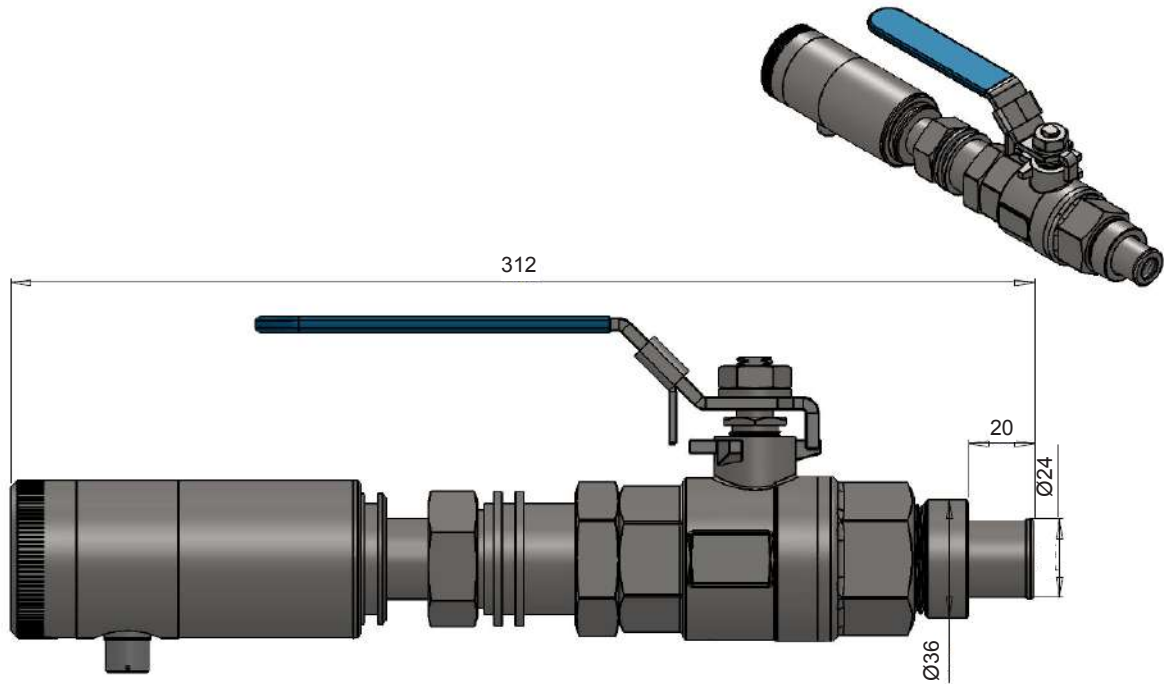
$R_{max} = \frac{\text{Supply voltage} - 5 V}{I_{max}}$

$I_{max} = 20,5 \text{ mA}$
 $I_{max} = 22,5 \text{ mA}$
(when the alarm current 22,5 mA is on)

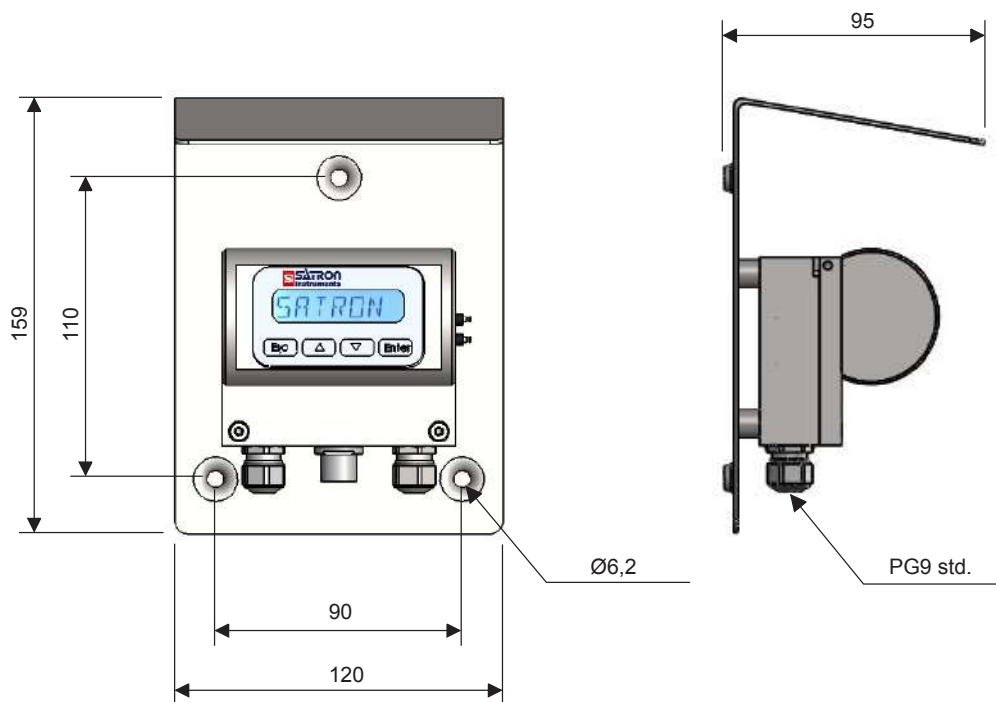
Current output 2
External power supply

¹⁾ Parts in contact with process medium





Dimensions Satron VCA



Satron VCA with L-housing

Selection Chart

Adjustability VCA	Span, min 1% Cs	Total Consistency Range 0...12% Cs	Filler consistency 0 ... 10% Cs
Process temperature limits		N Normal version 0 ...+140 °C	
Output		S 4-20mA DC/HART®	
Material of wetted parts	Body	Lens	Seal
	2 AISI316L (EN 1.4404)	2 Sapphire glass	1 EPDM
	3 Hast. C 276 (EN 2.4819)		2 FPM (Viton®)
	6 Titanium Gr2 (EN 3.7035)		3 FFPM (Kalrez®)
8 Duplex (EN 1.4462)			
Housing type		N Housing with display and pushbuttons (only with remote probe "R")	
		H Housing with, no display, (only one mA output)	
		L Remote electronics housing with display	
Probe type		0 No remote probe	
		R Remote measuring probe, IP68	
Connection type		T M12, IP67	
		U M12 & USB (only with N housing), IP67	
		V PG9 (always with L housing), IP66	
Cable Material		0 No, L or R selected	
		1 PUR cable.	
		2 AISI316L braided PTFE hose.	
		3 Steel reinforced PUR hose.	
		4 PVC cable	
Cable length		0 No L or R option selected	
		2 15 meter	
Light source		0 880nm / High IR	
		4 880nm / 640 nm / 530 nm	
		7 880nm / 640 nm / 465 nm	
Process connections		B1 G1A ball valve insertion. Extension diameter ø 24mm	
Device enclosure		K Remote electronic in the device enclosure. Power supply 115/230 V, IP66. Only housing type L and probe type R with display.	
Documentation			
Calibration certificate	AE	English	
Installation and operating instructions	IE	English	IF Finnish FR French
Material certificates			
0	No material certificate		
MC1	Raw material certificate without appendices, in accordance with SFS-EN 10204-2.1 (DIN 50049-2.1) standard		
MC2	Raw material certificate for wetted parts, in accordance with SFS-EN 10204-2.2 (DIN 50049-2.2) standard		
MC3	Raw material certificate for wetted parts, in accordance with SFS-EN 10204-3.1 B (DIN 50049-3.1 B) standard		

We reserve the right for technical modifications without prior notice.



HART is the registered trademark of HART Communication Foundation.
Hastelloy is the registered trademark of Haynes International.
Viton is the registered trademark of DuPont Down Elastomer.

SATRON VCB Optical Brightness Transmitter

The SATRON VCB is a multichannel optical Brightness transmitter, suitable for Brightness measurement in majority of the chemical and mechanical pulp, recycled and paper machine applications.

TECHNICAL SPECIFICATIONS

Measuring range and span

See Selection Chart.

Zero and Span adjustment

Zero elevation: Calibrated span is freely selectable on the specified range depending from the desired option. This can be made by using keyboard (display option) or HART@275/375 communicator.

Damping

- Time constant is continuously adjustable 0.01 to 60 s.

Temperature limits

Ambient: -30 to +80 °C
Process: 0 to + 140 °C
Shipping and storage: -40 to +80 °C.

Output

2 current outputs for Cs:
3-wire (3W), 4-20 mA

Supply voltage and permissible load

- 24 VDC, -10 %, + 15 %, 100 mA
- 115/230 VAC, -15% ... +10% (device enclosure)

Humidity limits 0-100 % RH

EMC directive 2004/108/EC

- EN 61326-1:2005

CONSTRUCTION

Materials:

Sensing element ¹⁾: AISI316L (EN 1.4404), Duplex (EN. 1.4462), Hast. C276 (EN 2.4819), or Titanium Gr2. Safir glass

Coupling ¹⁾: AISI316L (EN 1.4404), Duplex (EN 1.4462), Hast.C276 (EN 2.4819) or Titanium Gr2

Pressure class:

- PN25

Housing with display,

codes **NOS & NOT**:

Housing: AISI303/316, Seals: Nitrile-rubber and Viton®, Nameplates: Polyester

Housing with M12 connector, code

HOT: Housing: AISI303/316, Seals: Viton® and NBR.

Connection hose between sensing element and housing

Codes **L** and **R** :

PUR signal cable or hose protected with PTFE/AISI316 braiding

Device enclosure, code **K**:

EN 1.4301 (AISI304)

Calibration

For customer-specified range with minimum damping. (If range is not specified, transmitter is calibrated for maximum range.)

Electrical connections

Housing with PLUG connector, code

HOS:

Connector type DIN 43650 model AF; Pg9 gland for cable; wire cross-section 0.5 to 1.5 mm².

Housing with M12 connector, code **HOT**:

M12 plug connector

Housing with display, code **NOS**:

Connector type DIN 43650 model AF; Pg9 gland for cable; wire cross-section 0.5 to 1.5 mm².

Housing with display, code **NOT**:

M12 plug connector

Device enclosures (with display), code

K:

- PG13,5 inlet, 3 pcs
- The sensor signal M12 plug connector.

I/O-connections

bout1-3

Relay, grounding contact

Maximum voltage 35 V

Maximum current 50 mA

Maximum leakage current 10 µA

bin1-3

NC (no connection) OFF

0...2 V ON

Minimum values for switch in use

Voltage 16 V

Current 4 mA

Leakage current 1 mA

Current output1

Range 3.5...23 mA

Maximum load 600 Ω

Factory setting 4...20 mA

Current output2

Internal power supply

Current output 2 has same ground as

binary IO

Maximum load 400 Ω

Range 3.5...23 mA

Factory setting 4...20 mA

External power supply

Current output 2 is galvanically isolated

Maximum supply voltage 35 VDC

Range 3.5...23 mA

Factory setting 4...20 mA

Maximum load, See picture below

Maximum isolation voltage 100 VDC



Process connections

- With G1 connecting thread

Protection class: See Selection chart.

Weight

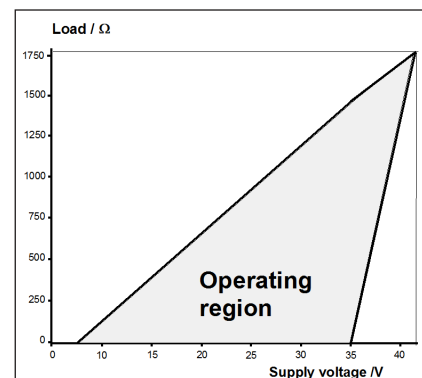
Housing with M12 connector (**HOT**): 1.3 kg

Housing with display (**NOS & NOT**): 1.7 kg

Remote Housing (**L**): 2.9 kg

Remote sensor (**R**): 2.9 kg

Device enclosure (**K**): 6,2 kg



Min. load using HART®-communication 250 W

$R_{max} = \frac{\text{Supply voltage} - 5 V}{I_{max}}$

$I_{max} = 20,5 \text{ mA}$

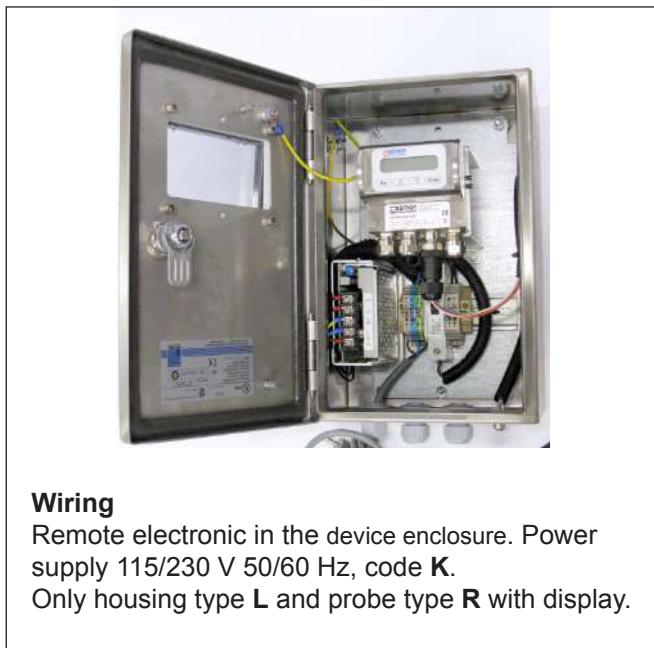
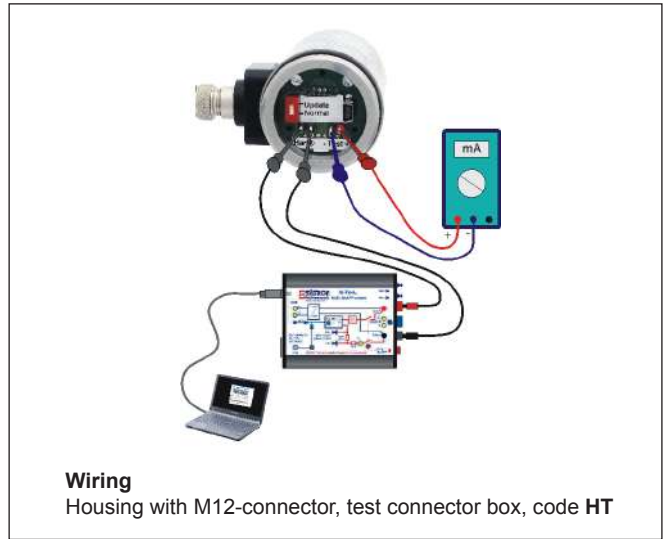
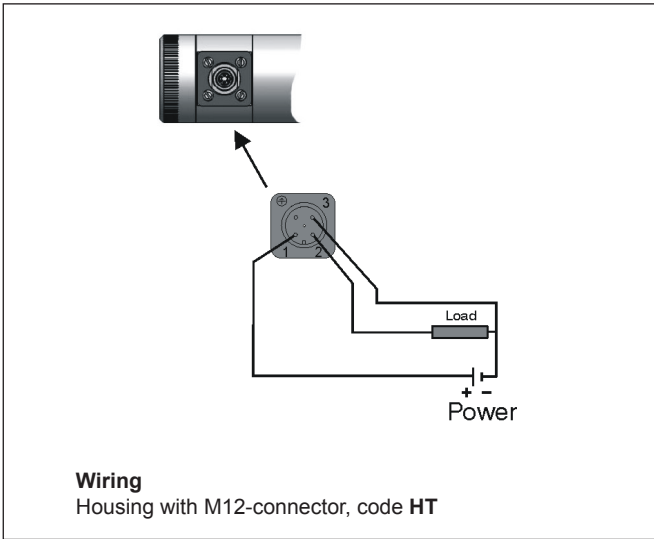
$I_{max} = 22,5 \text{ mA}$

(when the alarm current 22,5 mA is on)

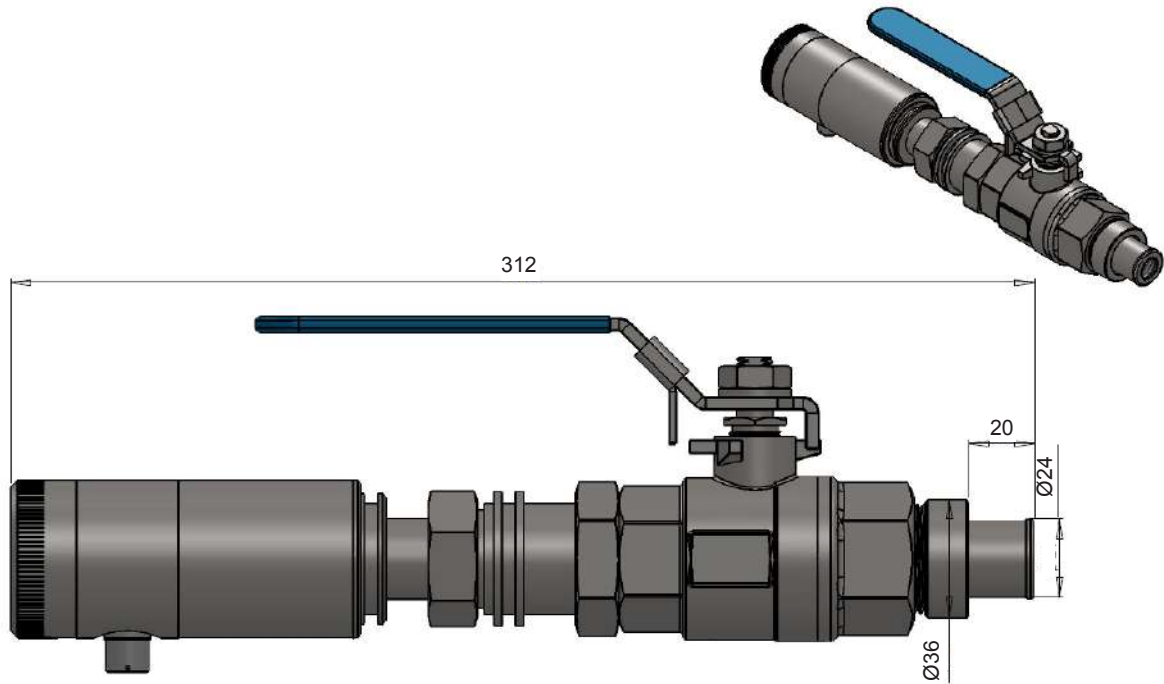
Current output 2

External power supply

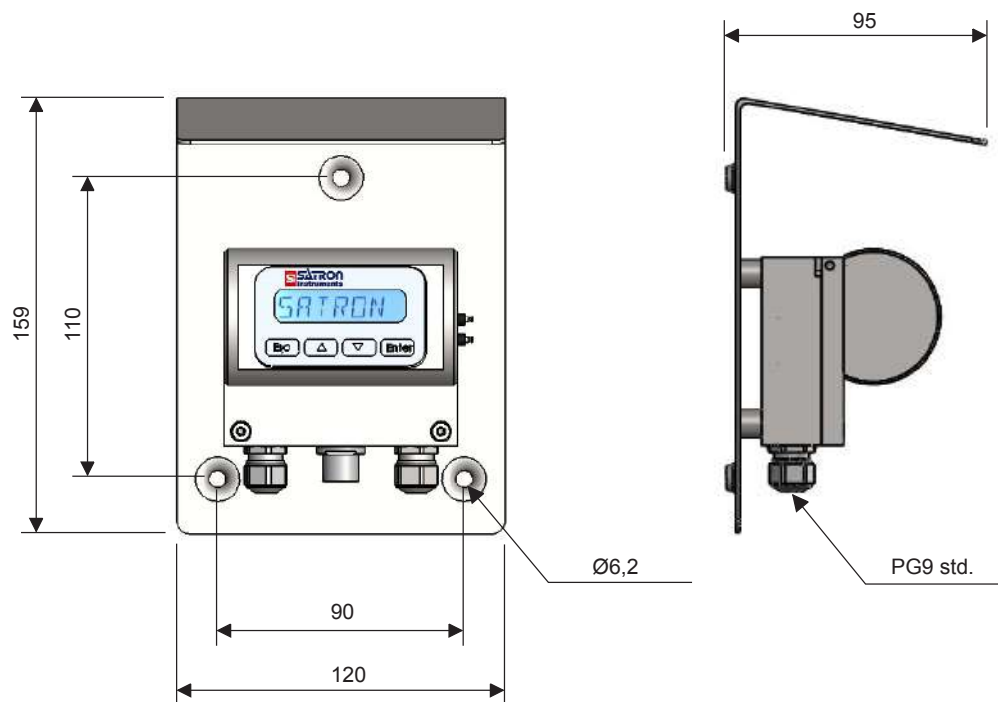
¹⁾ Parts in contact with process medium



Wiring
Remote electronics housing with display, code L



Dimensions Satron VCB



Satron VCB with L-housing

Selection Chart

Adjustability	Measuring Range	Span, min	
Brightness	20 - 95° SCAN		
Consistency	0...12% Cs	1% Cs	
Process temperature limits		N	Normal version 0 ...+140 °C
Output		S	4-20mA DC/HART®
Material of wetted parts	Body	Lens	Seal
	2 AISI316L (EN 1.4404)	2 Sapphire glass	1 EPDM
	3 Hast. C 276 (EN 2.4819)		2 FPM (Viton®)
	6 Titanium Gr2 (EN 3.7035)		3 FFPM (Kalrez®)
8 Duplex (EN 1.4462)			
Housing type		N	Housing with display and pushbuttons (only with remote probe "R")
		H	Housing with, no display, (only one mA output)
		L	Remote electronics housing with display
Probe type		0	No remote probe
		R	Remote measuring probe, IP68
Connection type		T	M12, IP67
		U	M12 & USB (only with N housing), IP67
		V	PG9 (always with L housing), IP66
Cable Material		0	No, L or R selected
		1	PUR cable.
		2	AISI316L braided PTFE hose.
		3	Steel reinforced PUR hose.
		4	PVC cable
Cable length		0	No L or R option selected
		2	15 meter
Light source		4	880nm / 640 nm / 530 nm
		7	880nm / 640 nm / 465 nm
Process connections		B1	G1A ball valve insertion. Extension diameter ø 24mm
Device enclosure		K	Remote electronic in the device enclosure. Power supply 115/230 V, IP66. Only housing type L and probe type R with display.
Documentation			
Calibration certificate	AE	English	
Installation and operating instructions	IE	English	IF Finnish FR French
Material certificates			
0	No material certificate		
MC1	Raw material certificate without appendices, in accordance with SFS-EN 10204-2.1 (DIN 50049-2.1) standard		
MC2	Raw material certificate for wetted parts, in accordance with SFS-EN 10204-2.2 (DIN 50049-2.2) standard		
MC3	Raw material certificate for wetted parts, in accordance with SFS-EN 10204-3.1 B (DIN 50049-3.1 B) standard		

We reserve the right for technical modifications without prior notice.



HART is the registered trademark of HART Communication Foundation.
Hastelloy is the registered trademark of Haynes International.
Viton is the registered trademark of DuPont Down Elastomer.

SATRON VCF Optical Freeness Transmitter

The SATRON VCF is a multichannel optical transmitter, suitable for freeness measurement in broad range of the pulp & paper applications.

TECHNICAL SPECIFICATIONS

Measuring range and span

See Selection Chart.

Zero and Span adjustment

Zero elevation: Calibrated span is freely selectable on the specified range depending from the desired option. This can be made by using keyboard (display option) or HART@275/375 communicator.

Damping

- Time constant is continuously adjustable 0.01 to 60 s.

Temperature limits

Ambient: -30 to +80 °C
Process: 0 to + 140 °C
Shipping and storage: -40 to +80 °C.

Output

2 current outputs for Cs:
3-wire (3W), 4-20 mA

Supply voltage and permissible load

- 24 VDC, -10 %, + 15 %, 100 mA
- 115/230 VAC, -15% ... +10% (device enclosure)

Humidity limits 0-100 % RH

EMC directive 2004/108/EC

- EN 61326-1:2005

CONSTRUCTION

Materials:

Sensing element ¹⁾: AISI316L (EN 1.4404), Duplex (EN. 1.4462), Hast. C276 (EN 2.4819), or Titanium Gr2.
Safir glass

Coupling ¹⁾: AISI316L (EN 1.4404), Duplex (EN 1.4462), Hast.C276 (EN 2.4819) or Titanium Gr2

Pressure class:

- PN25

Housing with display,

codes **NOS & NOT**:

Housing: AISI303/316, Seals: Nitrile-rubber and Viton®,
Nameplates: Polyester

Housing with M12 connector, code

HOT: Housing: AISI303/316, Seals: Viton® and NBR.

Connection hose between sensing element and housing

Codes **L** and **R** :

PUR signal cable or hose protected with PTFE/AISI316 braiding

Device enclosure, code **K**:

EN 1.4301 (AISI304)

Calibration

For customer-specified range with minimum damping. (If range is not specified, transmitter is calibrated for maximum range.)

Electrical connections

Housing with PLUG connector, code

HOS:

Connector type DIN 43650 model AF; Pg9 gland for cable; wire cross-section 0.5 to 1.5 mm².

Housing with M12 connector, code **HOT**:
M12 plug connector

Housing with display, code **NOS**:

Connector type DIN 43650 model AF; Pg9 gland for cable; wire cross-section 0.5 to 1.5 mm².

Housing with display, code **NOT**:

M12 plug connector

Device enclosures (with display), code

K:

- PG13,5 inlet, 3 pcs
- The sensor signal M12 plug connector.

I/O-connections

bout1-3

Relay, grounding contact

Maximum voltage 35 V
Maximum current 50 mA
Maximum leakage current 10 µA

bin1-3

NC (no connection) OFF
0...2 V ON

Minimum values for switch in use

Voltage 16 V
Current 4 mA
Leakage current 1 mA

Current output1

Range 3.5...23 mA
Maximum load 600 Ω
Factory setting 4...20 mA

Current output2

Internal power supply
Current output 2 has same ground as binary IO

Maximum load 400 Ω
Range 3.5...23 mA
Factory setting 4...20 mA

External power supply

Current output 2 is galvanically isolated
Maximum supply voltage 35 VDC
Range 3.5...23 mA
Factory setting 4...20 mA

Maximum load, See picture below
Maximum isolation voltage 100 VDC



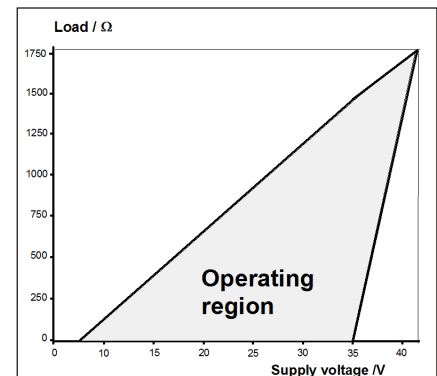
Process connections

- With G1 connecting thread

Protection class: See Selection chart.

Weight

Housing with M12 connector (**HOT**): 1.3 kg
Housing with display (**NOS & NOT**): 1.7 kg
Remote Housing (**L**): 2.9 kg
Remote sensor (**R**): 2.9 kg
Device enclosure (**K**): 6,2 kg



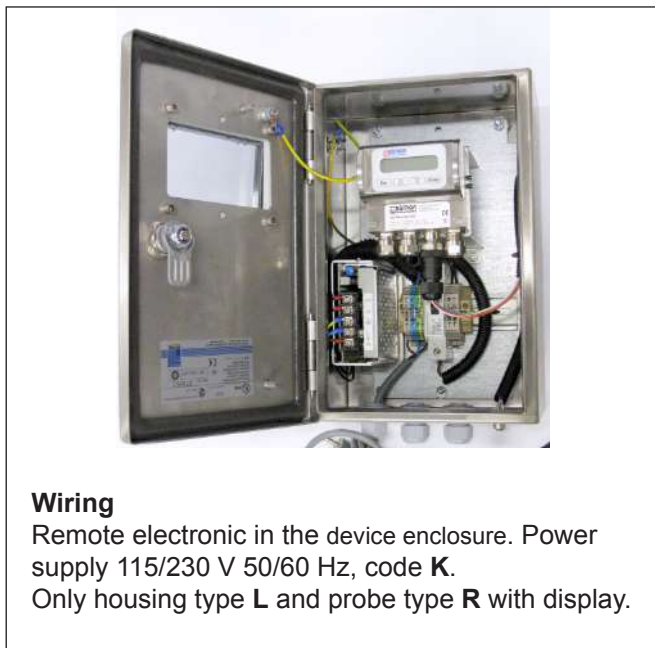
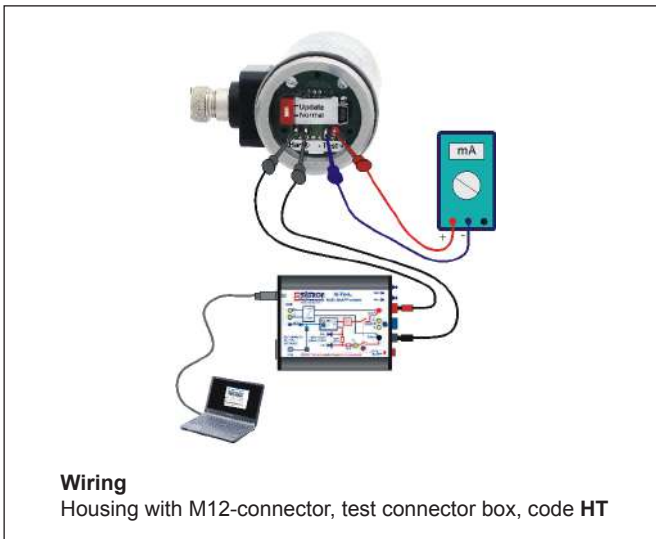
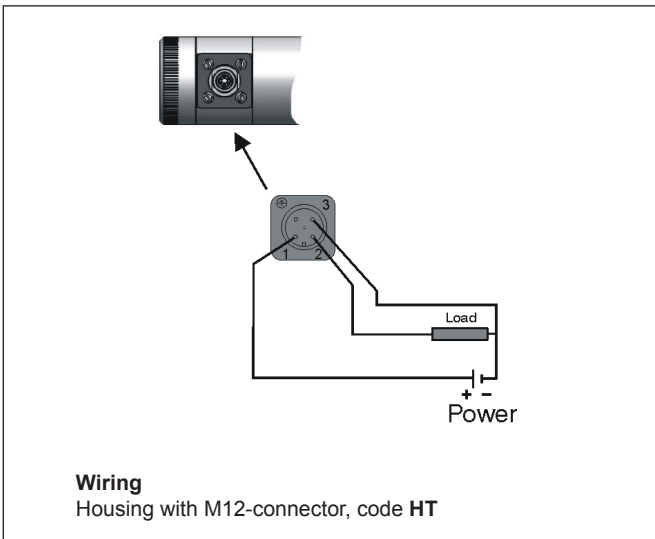
Min. load using HART®-communication 250 W

$R_{max} = \frac{\text{Supply voltage} - 5 V}{I_{max}}$

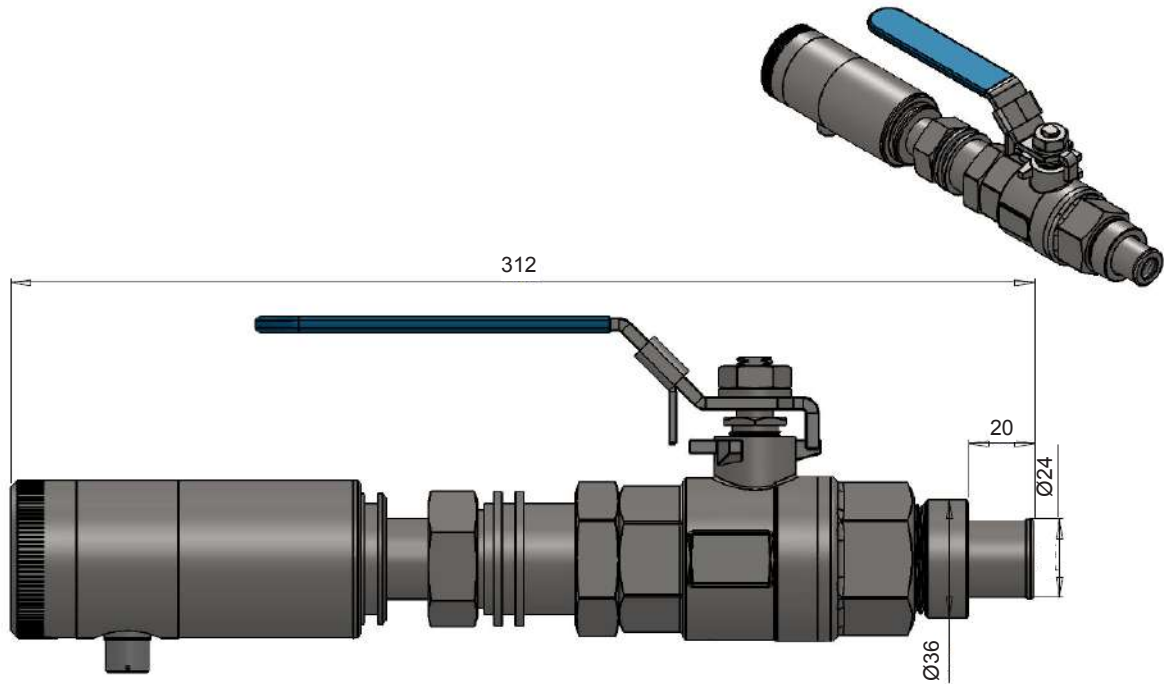
$I_{max} = 20,5 \text{ mA}$
 $I_{max} = 22,5 \text{ mA}$
(when the alarm current 22,5 mA is on)

Current output 2
External power supply

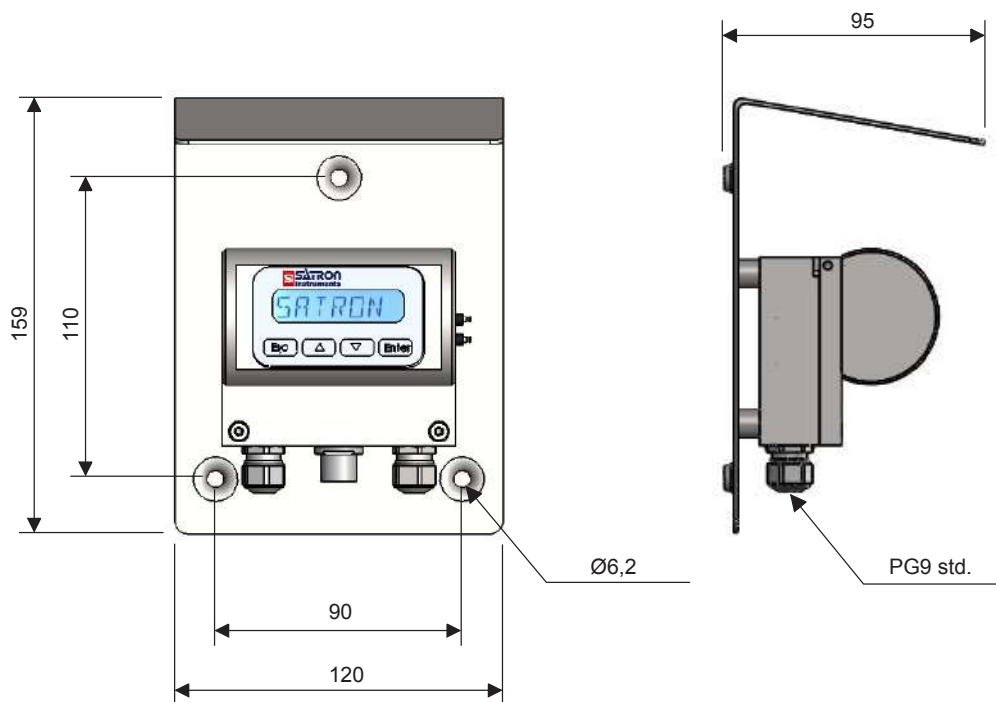
¹⁾ Parts in contact with process medium



Wiring
Remote electronics housing with display, code L



Dimensions Satron VCF



Satron VCF L-housing

Selection Chart

Adjustability	Measuring Range	Span, min	
Freeness	0-800 CSF		
Consistency	0...12% Cs	1% Cs	
Process temperature limits		N	Normal version 0 ...+140 °C
Output		S	4-20mA DC/HART®
Material of wetted parts	Body	Lens	Seal
	2 AISI316L (EN 1.4404)	2 Sapphire glass	1 EPDM
	3 Hast. C 276 (EN 2.4819)		2 FPM (Viton®)
	6 Titanium Gr2 (EN 3.7035)		3 FFPM (Kalrez®)
8 Duplex (EN 1.4462)			
Housing type	N	Housing with display and pushbuttons (only with remote probe "R")	
	H	Housing with, no display, (only one mA output)	
	L	Remote electronics housing with display	
Probe type	0	No remote probe	
	R	Remote measuring probe, IP68	
Connection type	T	M12, IP67	
	U	M12 & USB (only with N housing), IP67	
	V	PG9 (always with L housing), IP66	
Cable Material	0	No, L or R selected	
	1	PUR cable.	
	2	AISI316L braided PTFE hose.	
	3	Steel reinforced PUR hose.	
	4	PVC cable	
Cable length	0	No L or R option selected	
	2	15 meter	
Light source	4	880nm / 640 nm / 530 nm	
	7	880nm / 640 nm / 465 nm	
Process connections			
	B1	G1A ball valve insertion. Extension diameter ø 24mm	
Device enclosure			
	K	Remote electronic in the device enclosure. Power supply 115/230 V, IP66. Only housing type L and probe type R with display.	
Documentation			
Calibration certificate	AE	English	
Installation and operating instructions	IE	English	IF Finnish FR French
Material certificates			
0	No material certificate		
MC1	Raw material certificate without appendices, in accordance with SFS-EN 10204-2.1 (DIN 50049-2.1) standard		
MC2	Raw material certificate for wetted parts, in accordance with SFS-EN 10204-2.2 (DIN 50049-2.2) standard		
MC3	Raw material certificate for wetted parts, in accordance with SFS-EN 10204-3.1 B (DIN 50049-3.1 B) standard		

We reserve the right for technical modifications without prior notice.



HART is the registered trademark of HART Communication Foundation.
Hastelloy is the registered trademark of Haynes International.
Viton is the registered trademark of DuPont Down Elastomer.

SATRON VCK Optical Total Lignin Content Transmitter

The SATRON VCK is a multichannel optical transmitter, suitable for total content measurement (fiber and filtrate) in majority of the Bleach plant applications.

TECHNICAL SPECIFICATIONS

Measuring range and span

See Selection Chart.

Zero and Span adjustment

Zero elevation: Calibrated span is freely selectable on the specified range depending from the desired option. This can be made by using keyboard (display option) or HART@275/375 communicator.

Damping

- Time constant is continuously adjustable 0.01 to 60 s.

Repeatability

- application specific

Temperature limits

Ambient: -30 to +80 °C
Process: 0 to + 140 °C
Shipping and storage: -40 to +80 °C.

Output

2 current outputs for Cs:
3-wire (3W), 4-20 mA

Supply voltage and permissible load

- 24 VDC, -10 %, + 15 %, 100 mA
- 115/230 VAC, -15% ... +10% (device enclosure)

Humidity limits 0-100 % RH

EMC directive 2004/108/EC

- EN 61326-1:2005

CONSTRUCTION

Materials:

Sensing element ¹⁾: AISI316L (EN 1.4404), Duplex (EN. 1.4462), Hast. C276 (EN 2.4819), or Titanium Gr2.
Safir glass
Coupling ¹⁾: AISI316L (EN 1.4404), Duplex (EN 1.4462), Hast.C276 (EN 2.4819) or Titanium Gr2

Pressure class:

- PN25

Housing with display,

codes **NOS & NOT**:

Housing: AISI303/316, Seals: Nitrile-rubber and Viton®,
Nameplates: Polyester

Housing with M12 connector, code

HOT: Housing: AISI303/316, Seals: Viton® and NBR.

Connection hose between sensing element and housing

Codes **L** and **R** :
PUR signal cable or hose protected with PTFE/AISI316 braiding

Device enclosure, code **K**:

EN 1.4301 (AISI304)

Calibration

For customer-specified range with minimum damping. (If range is not specified, transmitter is calibrated for maximum range.)

Electrical connections

Housing with PLUG connector, code

HOS:

Connector type DIN 43650 model AF; Pg9 gland for cable; wire cross-section 0.5 to 1.5 mm².

Housing with M12 connector, code **HOT**:

M12 plug connector

Housing with display, code **NOS**:

Connector type DIN 43650 model AF; Pg9 gland for cable; wire cross-section 0.5 to 1.5 mm².

Housing with display, code **NOT**:

M12 plug connector

Device enclosures (with display), code

K:

- PG13,5 inlet, 3 pcs
- The sensor signal M12 plug connector.

I/O-connections

bout1-3

Relay, grounding contact

Maximum voltage 35 V
Maximum current 50 mA
Maximum leakage current 10 µA

bin1-3

NC (no connection) OFF
0...2 V ON

Minimum values for switch in use

Voltage 16 V
Current 4 mA
Leakage current 1 mA

Current output1

Range 3.5...23 mA
Maximum load 600 Ω
Factory setting 4...20 mA

Current output2

Internal power supply
Current output 2 has same ground as binary IO

Maximum load 400 Ω
Range 3.5...23 mA
Factory setting 4...20 mA

External power supply

Current output 2 is galvanically isolated
Maximum supply voltage 35 VDC
Range 3.5...23 mA
Factory setting 4...20 mA

Maximum load, See picture below
Maximum isolation voltage 100 VDC



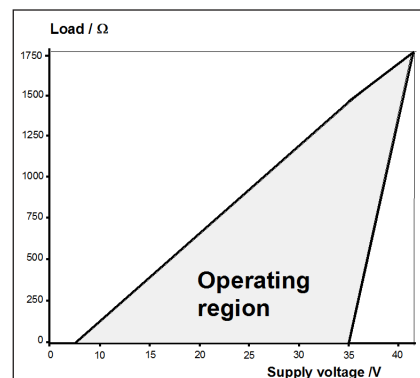
Process connections

- With G1 connecting thread

Protection class: See Selection chart.

Weight

Housing with M12 connector (**HOT**): 1.3 kg
Housing with display (**NOS & NOT**): 1.7 kg
Remote Housing (**L**): 2.9 kg
Remote sensor (**R**): 2.9 kg
Device enclosure (**K**): 6,2 kg



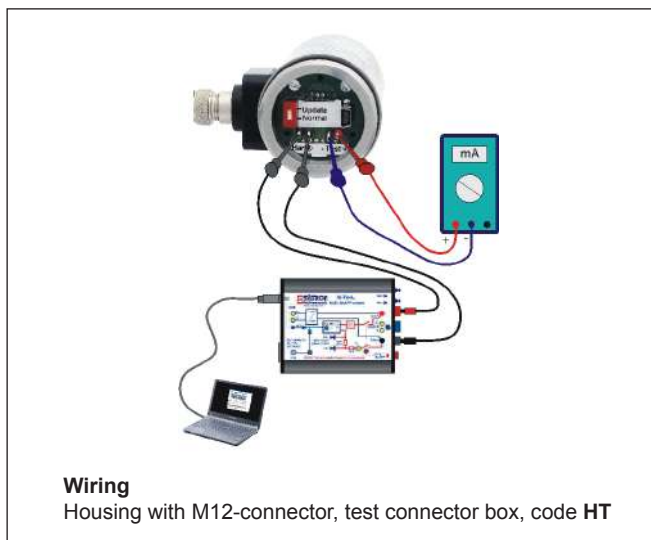
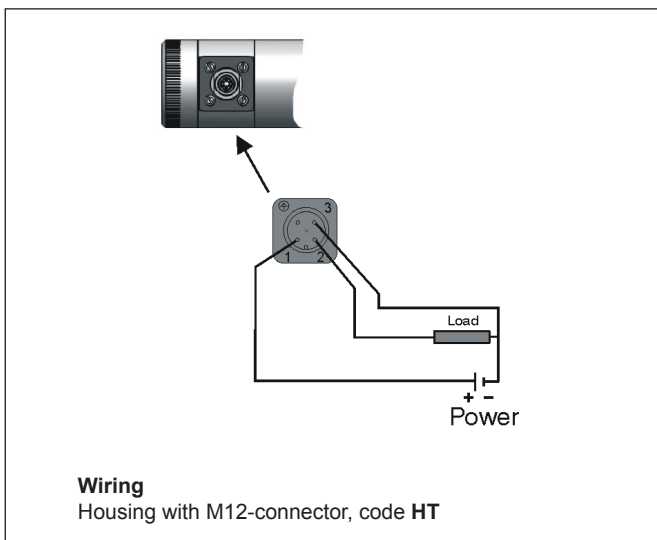
Min. load using HART®-communication 250 W

$R_{max} = \frac{\text{Supply voltage} - 5 V}{I_{max}}$

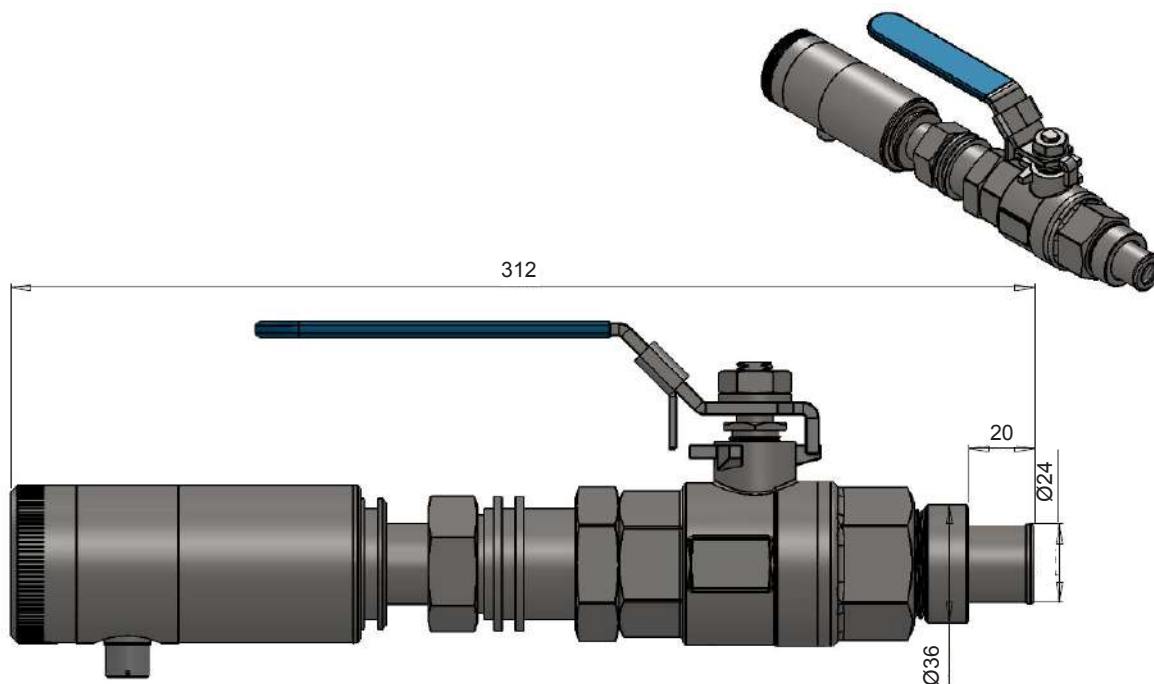
$I_{max} = 20,5 \text{ mA}$
 $I_{max} = 22,5 \text{ mA}$
(when the alarm current 22,5 mA is on)

Current output 2
External power supply

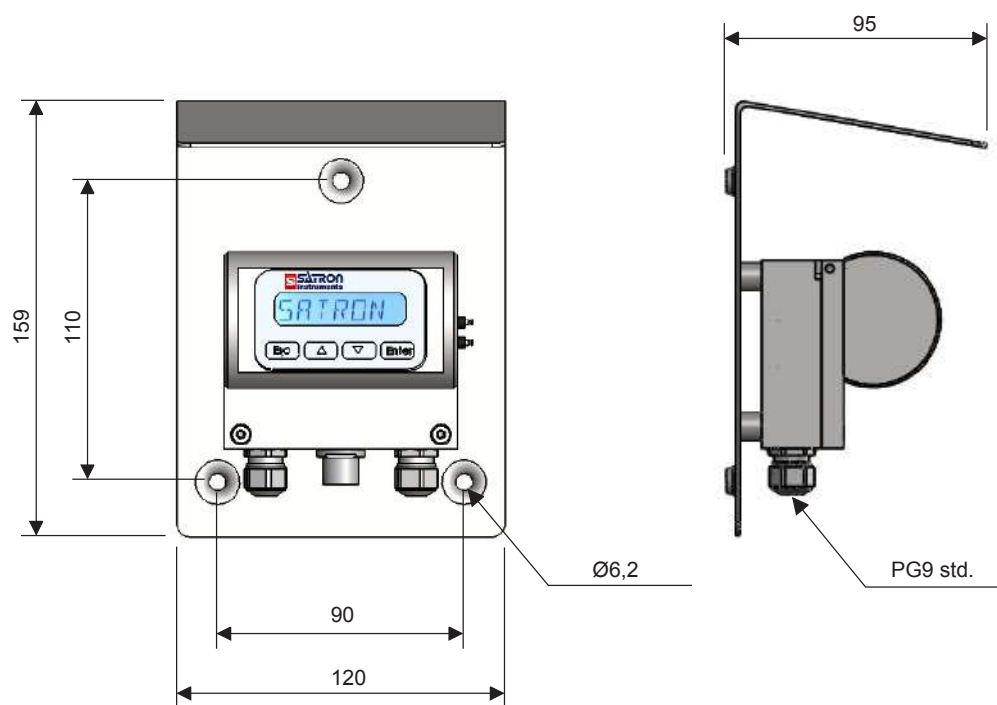
¹⁾ Parts in contact with process medium



Wiring
Remote electronics housing with display, code L



Dimensions Satron VCK



Satron VCK with L-housing

Selection Chart

Adjustability	Measuring Range	Span, min	
Kappa	0 - 50 Kappa points		
Consistency	0...12% Cs	1% Cs	
Process temperature limits		N	Normal version 0 ...+140 °C
Output		S	4-20mA DC/HART®
Material of wetted parts	Body	Lens	Seal
	2 AISI316L (EN 1.4404)	2 Sapphire glass	1 EPDM
	3 Hast. C 276 (EN 2.4819)		2 FPM (Viton®)
	6 Titanium Gr2 (EN 3.7035)		3 FFPM (Kalrez®)
8 Duplex (EN 1.4462)			
Housing type	N	Housing with display and pushbuttons (only with remote probe "R")	
	H	Housing with, no display, (only one mA output)	
	L	Remote electronics housing with display	
Probe type	0	No remote probe	
	R	Remote measuring probe, IP68	
Connection type	T	M12, IP67	
	U	M12 & USB (only with N housing), IP67	
	V	PG9 (always with L housing), IP66	
Cable Material	0	No, L or R selected	
	1	PUR cable.	
	2	AISI316L braided PTFE hose.	
	3	Steel reinforced PUR hose.	
	4	PVC cable	
Cable length	0	No L or R option selected	
	2	15 meter	
Light source	4	880nm / 640 nm / 530 nm	
	7	880nm / 640 nm / 465 nm	
Process connections			
	B1	G1A ball valve insertion. Extension diameter ø 24mm	
Device enclosure			
	K	Remote electronic in the device enclosure. Power supply 115/230 V, IP66. Only housing type L and probe type R with display.	
Documentation			
Calibration certificate	AE	English	
Installation and operating instructions	IE	English	IF Finnish FR French
Material certificates			
0	No material certificate		
MC1	Raw material certificate without appendices, in accordance with SFS-EN 10204-2.1 (DIN 50049-2.1) standard		
MC2	Raw material certificate for wetted parts, in accordance with SFS-EN 10204-2.2 (DIN 50049-2.2) standard		
MC3	Raw material certificate for wetted parts, in accordance with SFS-EN 10204-3.1 B (DIN 50049-3.1 B) standard		

We reserve the right for technical modifications without prior notice.



HART is the registered trademark of HART Communication Foundation.
Hastelloy is the registered trademark of Haynes International.
Viton is the registered trademark of DuPont Down Elastomer.

SATRON VCL Optical Consistency Transmitter

Satron VCL in an optical consistency transmitter. The sensor uses linearly polarized light from a LED light, which is passed through the measurement cell. The transmitted light is split into two beams in a transverse polarizing beam splitter. The beams are detected by photodiodes and combined to produce a relative depolarization signal, which is a function of the total consistency. The relative depolarization signal is insensitive to brightness, color, freeness or to soluble additives. The sensor is suitable for screened pulp application in the consistency range of approximately 0...1.5%Cs.

TECHNICAL SPECIFICATIONS

Measuring range and span

See Selection Chart.

Zero and Span adjustment

Zero elevation: Calibrated span is freely selectable on the specified range depending from the desired option. This can be made by using keyboard (display option) or HART®275/375 communicator.

Damping

- Time constant is continuously adjustable 0.01 to 60 s.

Temperature limits

Ambient: -30 to +80 °C
Process: 0 to +100 °C
Shipping and storage: -40 to +80 °C.

Output

2 current outputs for Cs:
3-wire (3W), 4-20 mA

Supply voltage and permissible load

- 24 VDC, -10 %, +15 %, 100 mA
- 115/230 VAC, -15% ... +10% (device enclosure)

Humidity limits 0-100 % RH

EMC directive 2004/108/EC

- EN 61326-1:2005

CONSTRUCTION

Materials:

Sensing element ¹⁾: AISI316L (EN 1.4404), Sapphire glass, PEEK

Pressure class:

- PN10

Housing with display,

codes **NOS** & **NOT**:

Housing: AISI303/316, Seals: Nitrile-rubber and Viton®, Nameplates: Polyester

Housing with M12 connector, code

HOT: Housing: AISI303/316, Seals: Viton® and NBR.

Connection hose between sensing element and housing

Codes **L** and **R** :

PUR signal cable or hose protected with PTFE/AISI316 braiding

Device enclosure, code **K**:

EN 1.4301 (AISI304)

Calibration

For customer-specified range with

minimum damping. (If range is not specified, transmitter is calibrated for maximum range.)

Electrical connections

Housing with PLUG connector, code

HOS:

Connector type DIN 43650 model AF; Pg9 gland for cable; wire cross-section 0.5 to 1.5 mm².

Housing with M12 connector, code **H01**
M12 plug connector

Housing with display, code **NOS**:

Connector type DIN 43650 model AF; Pg9 gland for cable; wire cross-section 0.5 to 1.5 mm².

Housing with display, code **NOT**:

M12 plug connector

Device enclosures (with display), code **K**:

- PG13,5 inlet, 3 pcs
- The sensor signal M12 plug connector.

I/O-connections

bout1-3

Relay, grounding contact
Maximum voltage 35 V
Maximum current 50 mA
Maximum leakage current 10 µA

bin1-3

NC (no connection) OFF
0...2 V ON

Minimum values for switch in use

Voltage 16 V
Current 4 mA
Leakage current 1 mA

Current output1

Range 3.5...23 mA
Maximum load 600 Ω
Factory setting 4...20 mA

Current output2

Internal power supply
Current output 2 has same ground as binary IO

Maximum load 400 Ω
Range 3.5...23 mA
Factory setting 4...20 mA

External power supply

Current output 2 is galvanically isolated
Maximum supply voltage 35 VDC
Range 3.5...23 mA
Factory setting 4...20 mA
Maximum load, See picture below
Maximum isolation voltage 100 VDC



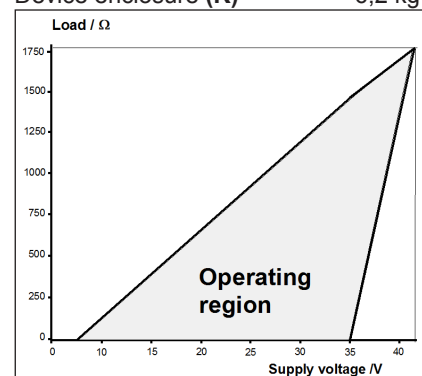
Process connections

- G1/2A threads
- 3/4" -20, UNEF for 1/2" FEP hose

Protection class: See Selection chart.

Weight

Housing with M12 connector (**HOT**): 1.4 kg
Housing with display (**NOS** & **NOT**): 1.8kg
Remote Housing (**L**): 2.9 kg
Remote sensor (**R**): 2.9 kg
Device enclosure (**K**): 6,2 kg



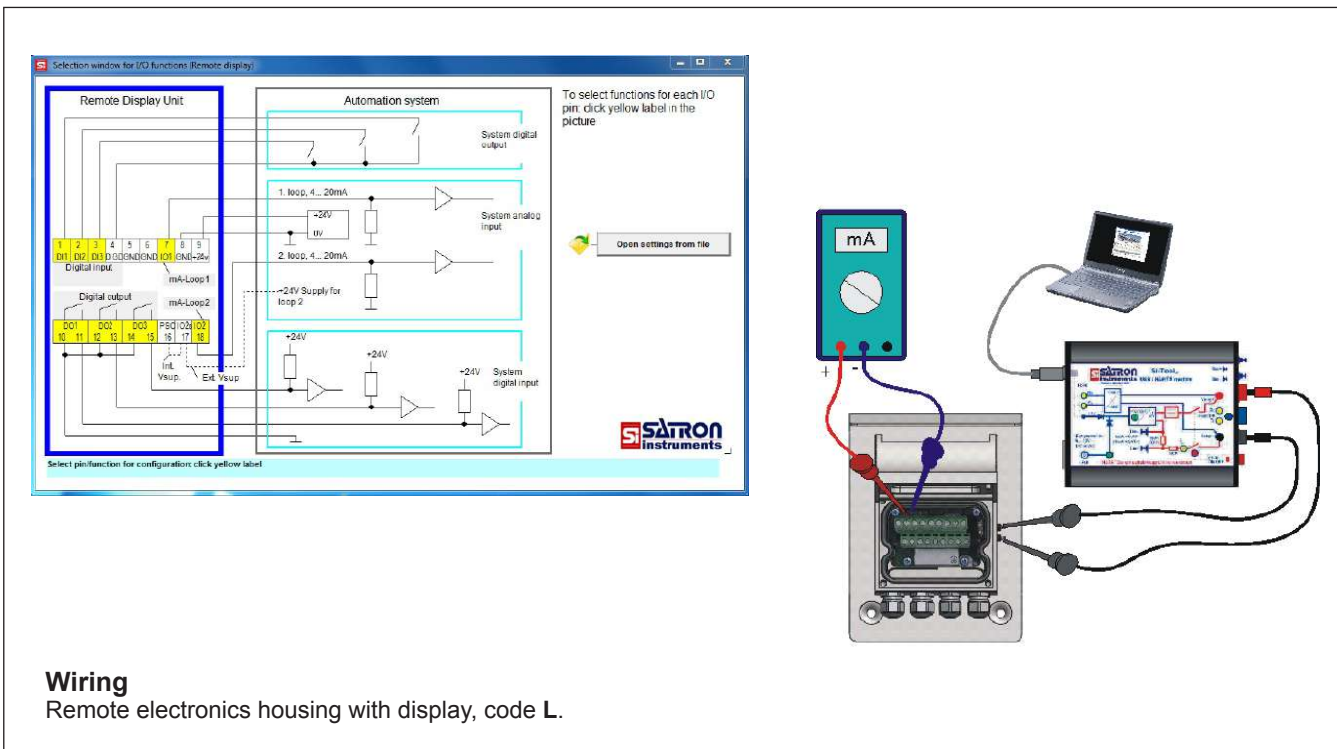
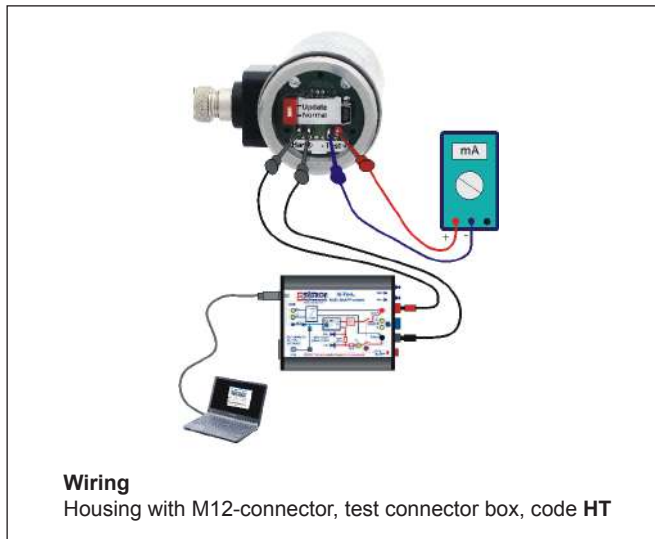
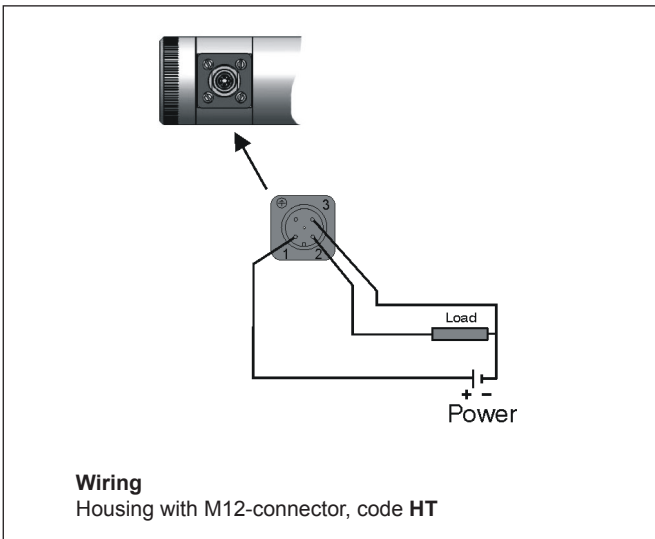
Min. load using HART®-communication 250 W

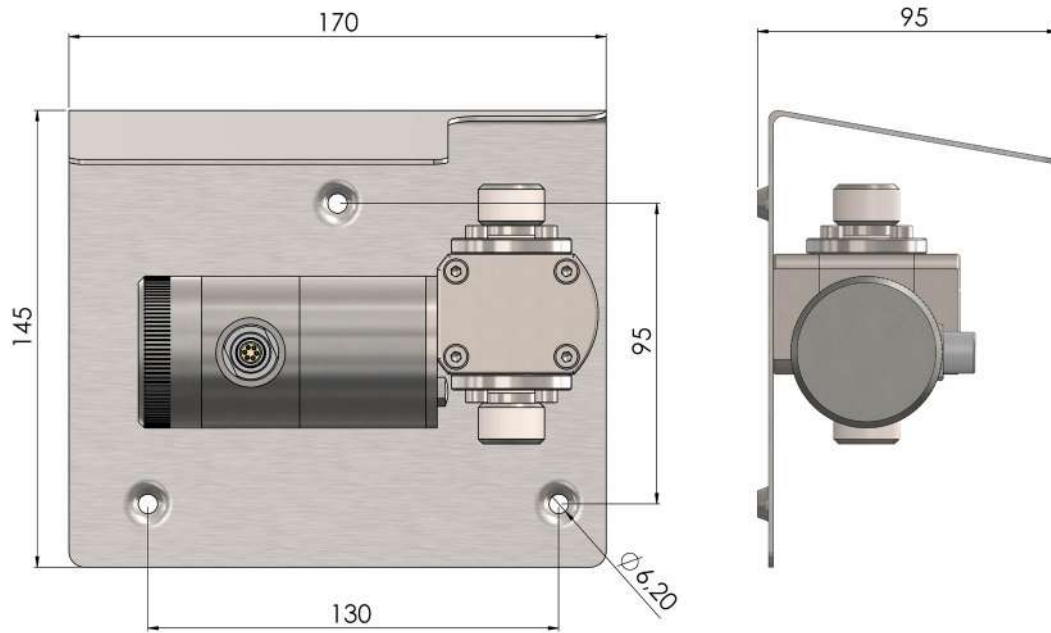
$R_{max} = \frac{\text{Supply voltage} - 5 V}{I_{max}}$

$I_{max} = 20,5 \text{ mA}$
 $I_{max} = 22,5 \text{ mA}$
(when the alarm current 22,5 mA is on)

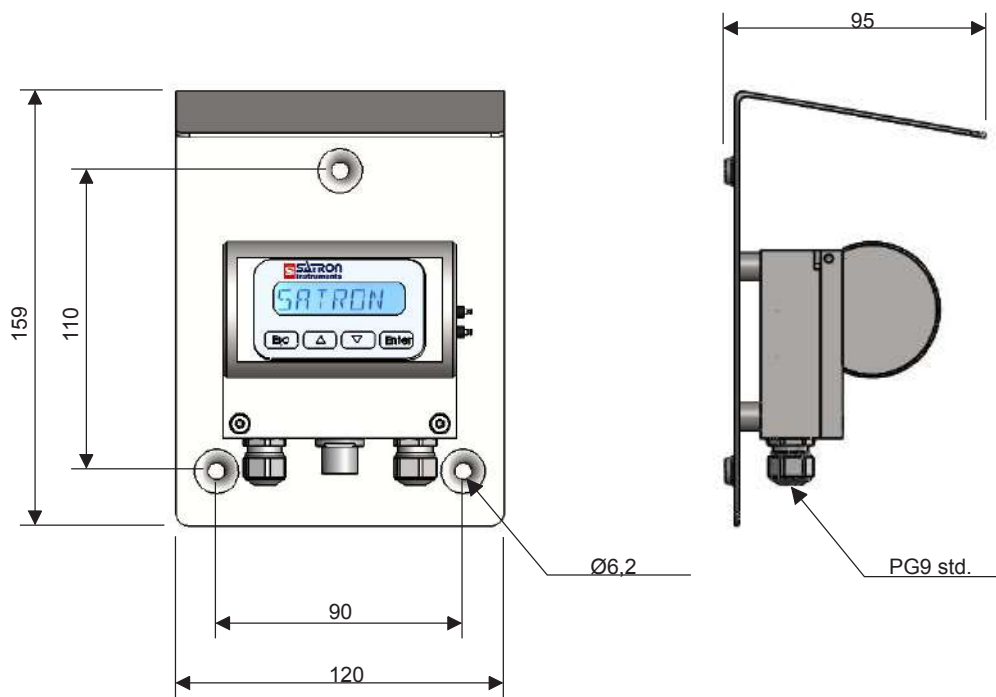
Current output 2
External power supply

¹⁾ Parts in contact with process medium

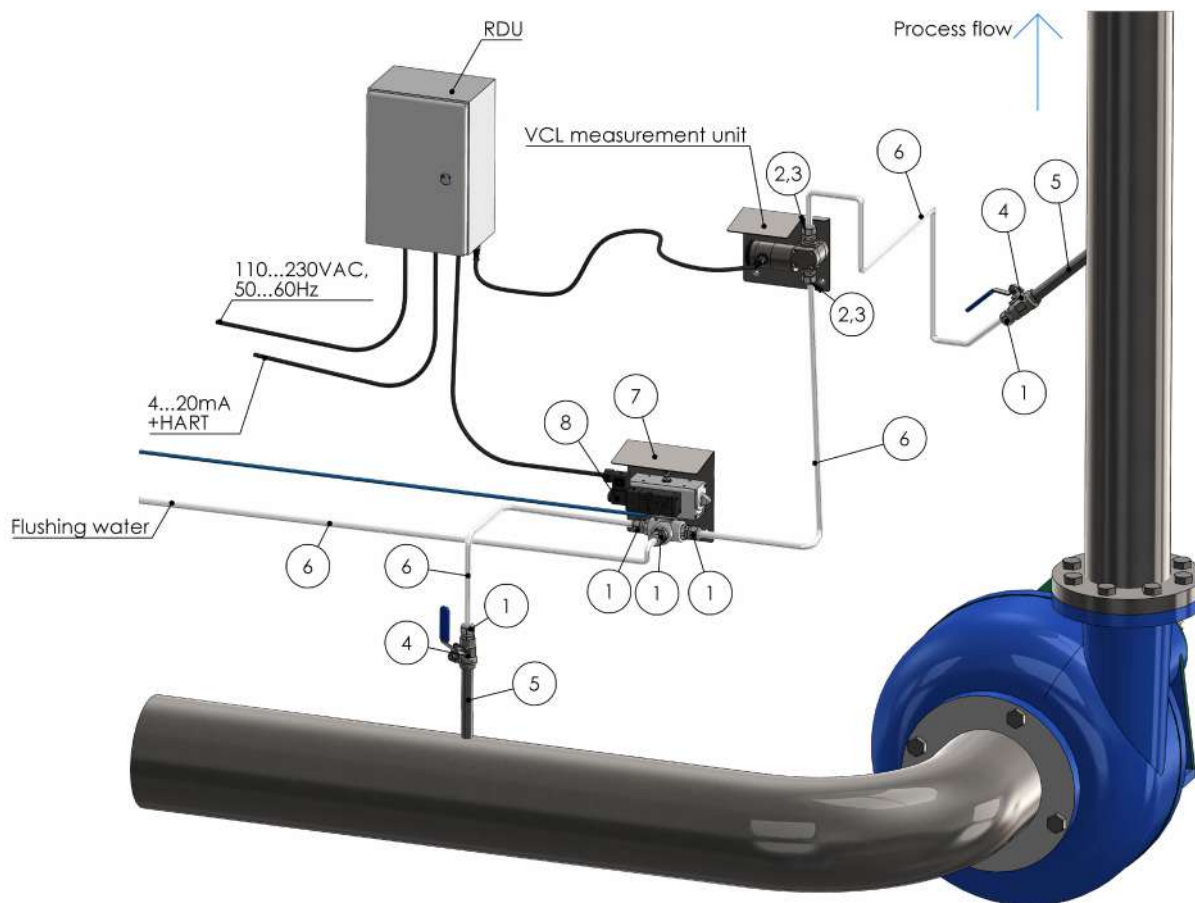




Dimensions Satron VCL



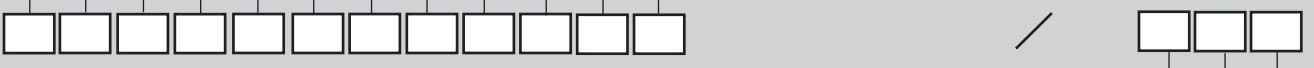
L-housing



8	Solenoid valve 341 N01	82920041		1
7	3-way ball valve DN15,R1/2"	82500034	EN1.4404 or similar	1
6	1/2" FEP tube	82360003	FEP	5m
5	Sampling pipe R1/2"	M1050645	EN1.4404	2
4	2-way ball valve DN15,R1/2"	82500002	EN1.4404 or similar	2
3	PVDF hose support insert	82360001	PVDF	2
2	PVDF nut	82360002	PVDF	2
1	PVDF hose connectors	82360004	PVDF	5
Osa Item	Nimitys Description	Konfiguraatio Configuration	Materiaali Material	Kpl Qty

VCL accessory kit - M1390050

Selection Chart

Adjustability VCL	Span, min 0.1%Cs	Consistency range 0...1.5%Cs
Process temperature limits N Normal version 0 ...+100 °C		
Output S 4-20mA DC/HART®		
Material of wetted parts	Body 2 AISI316L (EN 1.4404)	Lens 2 Sapphire glass
		Seal 1 EPDM
Housing type	N Housing with display and pushbuttons H Housing with, no display, (only one mA output) L Remote electronics housing with display	
Probe type	0 No remote probe R Remote measuring probe (not available with L housing), IP68	
Connection type	T M12, IP67 U M12 & USB (only with N housing), IP67 V PG9 (always with L housing), IP66	
Cable Material	0 No, L or R selected 1 PUR cable. 2 AISI316L braided PTFE hose. 3 Steel reinforced PUR hose. 4 PVC cable	
Cable length	0 No L or R option selected 2 15 meter	
Light source	7 880nm	
Process connections		
	B2 G1/2A, BSPP	
	W1 3/4" -20, UNEF for 1/2" FEP hose with ferrule + nut	
Device enclosure		
	K Remote electronic in the device enclosure. Power supply 115/230 V, IP66. Only housing type L and probe type R with display.	
		
Documentation		
Calibration certificate	AE English	
Installation and operating instructions	IE English	IF Finnish FR French
Material certificates		
0	No material certificate	
MC1	Raw material certificate without appendices, in accordance with SFS-EN 10204-2.1 (DIN 50049-2.1) standard	
MC2	Raw material certificate for wetted parts, in accordance with SFS-EN 10204-2.2 (DIN 50049-2.2) standard	
MC3	Raw material certificate for wetted parts, in accordance with SFS-EN 10204-3.1 B (DIN 50049-3.1 B) standard	

We reserve the right for technical modifications without prior notice.



HART is the registered trademark of HART Communication Foundation.
Hastelloy is the registered trademark of Haynes International.
Viton is the registered trademark of DuPont Down Elastomer.

SATRON SAVE sampler G800

Since the consistency transmitters measure the mass density, indirectly, their tuning stability is monitored by sampling.

By definition, the security will be affected by the sampling instrument and laboratory equipment, as well as goodness, above all, a sufficient number of samples.

Enough certainty to take at one time, we recommend five samples, each of which separately are displayed configuration.

SAVE has been designed for controlled and safe sampling of pulp slurry.

SAVE's head is shaped and dimensioned to ensure a representative sample. The sampler head is inserted deep into the process pipe, past the water layer flowing along the pipe wall.

SAVE's interior parts can be flushed with water after the sample has been taken, to prevent build up or blockage of sampler.

Since the sampling valve's shut-off mechanism is at the head of the sampler, SAVE will not get blocked even during long duty intervals.

SAVE's piston utilizes metal-to-metal sealing and does not include any wearing parts, such as rubber seals.

Installation of SAVE

SAVE is mounted at a point in the process line that will provide a representative sample. It must not be installed in a dead zone of flow. Refer to the illustrations and instructions in SAVE sampler's user's guide (document G800AV).

SAVE is mounted is an opening made on the process pipe through a process coupling selected in accordance with the Selection Chart. TA and SA couplings are welded on the process pipe, while FA type is laminated on plastic process pipe.

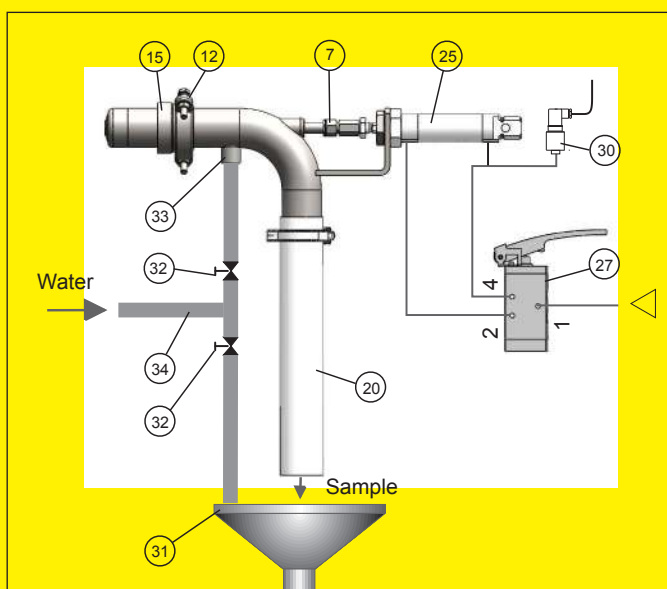
After SAVE has been mounted on the process pipe you attach the supplied 400 mm plastic discharge tube with a hose clamp. This will ensure that the sample will not splash.

Flushing with water is recommended in all installations. For this purpose a waterline equipped with a shutoff valve is needed to be connected to the sampler.

Types of SAVE

SAVE sampler is available for a manually operated (SAVE MD), as well as air-powered (SAVE AD).

Manual probe is easily applied to join to-reach destinations. Pneumatically controlled the probe is also suitable for difficult-to-reach destinations.



7. Stop nut
12. Mounting clamp
15. Process coupling
20. Discharge tube
25. Actuating cylinder
27. Manually operated compressed air valve
30. Valve OPEN / CLOSED detector assy ¹⁾
31. Overflow tunnel ²⁾
32. Water valve ¹⁾
33. Water flushing connection
34. Water pipe ²⁾

¹⁾ Is supplied on special order

²⁾ Not supplied with SAVE

SAVE Sampler

SAVE has been designed for controlled and safe sampling of pulp slurry.

SAVE's head is shaped and dimensioned to ensure a representative sample. The sampler head is inserted deep into the process pipe, past the water layer flowing along the pipe wall.

SAVE's interior parts can be flushed with water after the sample has been taken, to prevent build up or blockage of sampler. Since the sampling valve's shut-off mechanism is at the head of the sampler, SAVE will not get blocked even during long duty intervals.

SAVE's piston utilizes metal-to-metal sealing and does not include any wearing parts, such as rubber seals.



TECHNICAL SPECIFICATIONS

Applicability

- Consistency range 0...8 % Cs

Process pressure

- Minimum process pressure for different consistencies: refer to Fig 1
- Maximum process pressure: 2,5 MPa (25 bar), except when coupling material is fibreglass-reinforced plastic: 1,6 MPa
- Pneumatic actuator has a return spring that shuts the valve when pressure is lost.

Supply air pressure p_s (AD actuator)

- $p_s \text{ min} = 1/3 \times \text{process pressure}$;
- $p_s \text{ max} = 1,0 \text{ MPa}$ (10 bar)

Max. discharge rate of pulp

- at different process pressure: refer to Fig. 2.

Connectors

- Water flushing connector: G1/4
- Pneumatic connections for cylinder and regulating valve: G1/8 (5 pcs)

Materials

- Parts in constant contact with process medium: refer to Selection Chart
- Other parts: EN 1.4404 (AISI316L)
- Pneumatic cylinder: aluminium alloy
- Piston rod: hard chrome plated steel

Selection Chart

SAVE

Types

- SA** Clamp mounting NS40
- TA** 1 1/2 - NPS thread
- FA** Flange mounting DN40 PN16
- FB** Flange mounting DN48 ¹⁾

Material for wetted parts ²⁾

- 2** EN 1.4404 (AISI316L)
- 3** EN 2.4819 (Hast.C276)
- 6** EN 3.7035 (Titaani Ti-II)

Material for process coupling

- 2** EN 1.4404 (AISI316L)
- 3** EN 2.4819 (Hast.C276)
- 6** EN 3.7035 (Titanium Ti-II)
- 9** Fibreglass-reinforced plastic

Function

- MD** Manual
- AD** Pneumatic

Open / closed detector

- 0** None

- 1) Special size for 4 x M6 bolted flange, dimensions on page 3
- 2) Only parts in constant contact with process medium; other parts always EN 1.4404 (AISI316L)

Weight	Function	
	MD	AD
SAVE SA	1.9 kg	2.1kg
SAVE TA	1.7 kg	1.9 kg
SAVE FA	5.0 kg	5.2 kg

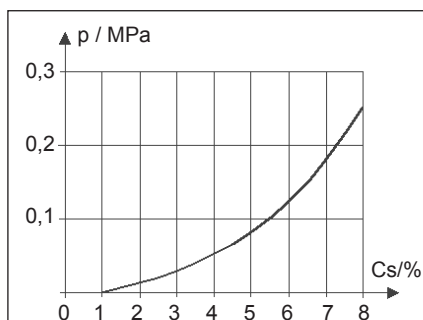


Figure 1 Minimum process pressure at different consistencies

Pulps:

- long-fibered chemical pulp
- groundwood pulp
- recycled fibre pulp
- short-fibered chemical pulp

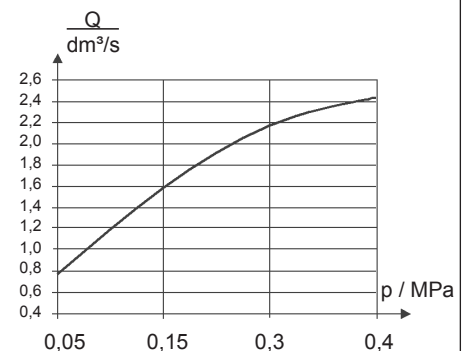


Cs
= 0...4 %

- TMP
- CTMP



Cs
= 0...2 %

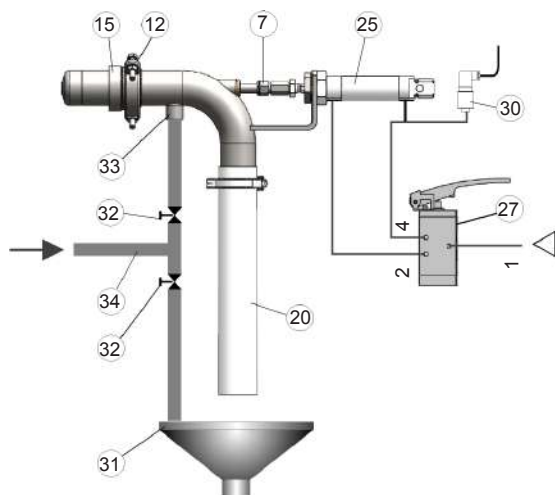


At higher consistencies the sample discharge rate is lower.

Figure 2 Maximum discharge rate of pulp at different process pressures with maximum valve opening.

SAVE Sampler

Mounting SAVE with pneumatic cylinder (Function AD)



7. Stop nut
12. Mounting clamp
15. Process coupling
20. Discharge tube
25. Actuating cylinder
27. Manually operated compressed air valve
30. Valve OPEN / CLOSED detector assy ¹⁾
31. Overflow tunnel ²⁾
32. Water valve ¹⁾
33. Water flushing connection
34. Water pipe ²⁾

- ¹⁾ Is supplied on special order
²⁾ Not supplied with SAVE

European Directive Information

Machinery Directive 2006/42/EC

- Available only for SAVE sampler with the pneumatic cylinder (AD)
- Assessment of conformity with internal checks on the manufacture of machinery.

Pressure Equipment Directive (PED) (97/23/EC)

- Sound Engineering Practice

Installation

SAVE is mounted at a point in the process line that will provide a representative sample. It must not be installed in a dead zone of flow. Refer to the illustrations and instructions in SAVE sampler's user's guide (document G800AV).

SAVE is mounted is an opening made on the process pipe through a process coupling selected in accordance with the Selection Chart. TA and SA couplings are welded on the process pipe, while FA type is laminated on plastic process pipe.

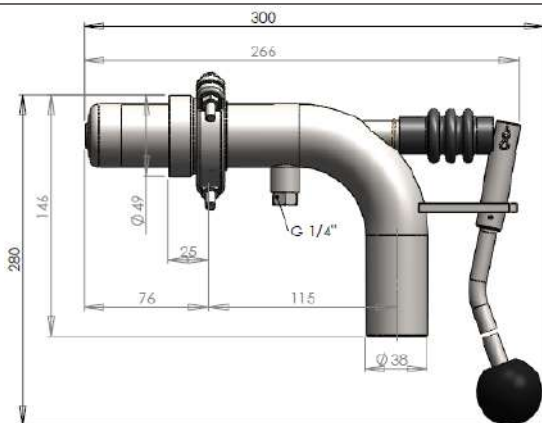
After SAVE has been mounted on the process pipe you attach the supplied 400 mm plastic discharge tube with a hose clamp. This will ensure that the sample will not splash.

Flushing with water is recommended in all installations. For this purpose a waterline equipped with a shutoff valve is needed to be connected to the sampler. Samplers with Titanium or Hastelloy C276 wetted parts flushing must be connected to prevent corrosion of the samplers interior parts.

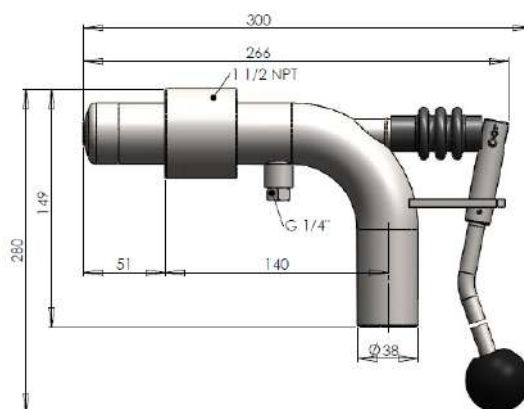
Solenoid valves (SAVE AD) must be equipped with restrictors at outlet side to dampen the piston movement.

NOTE!

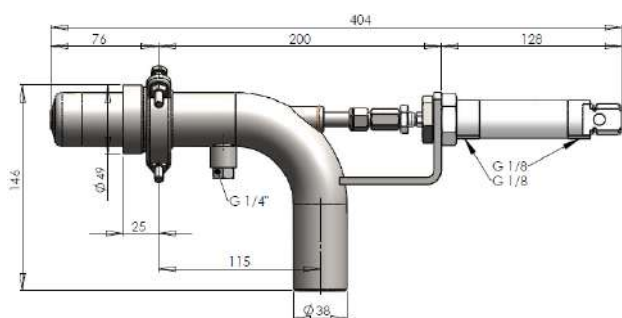
If the process pressure exceeds 1,0 MPa (10 bar) the strength of the connection between process coupling and process pipe has to be calculated separately in accordance with the pipework's pressure endurance. If necessary, the connection must be reinforced.



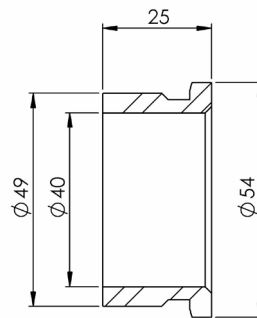
SAVE SA 2/3/6 2/3/6/9 MD 0



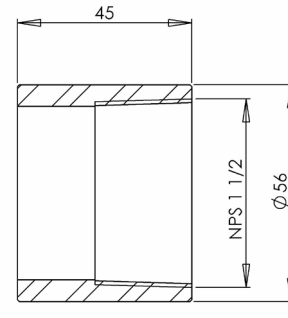
SAVE TA 2/3/6 2/3/6/9 MD 0



SAVE SA 2/3/6 2/3/6/9 AD 0



SA Coupling M1035200

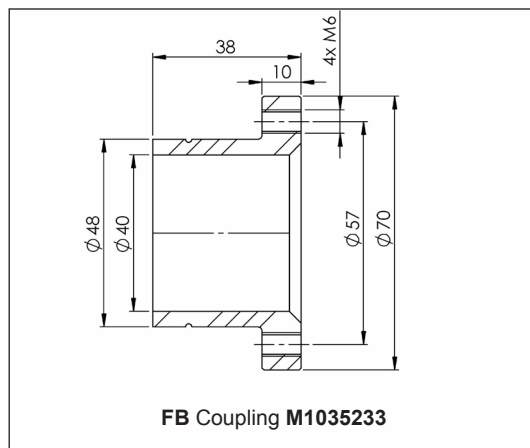
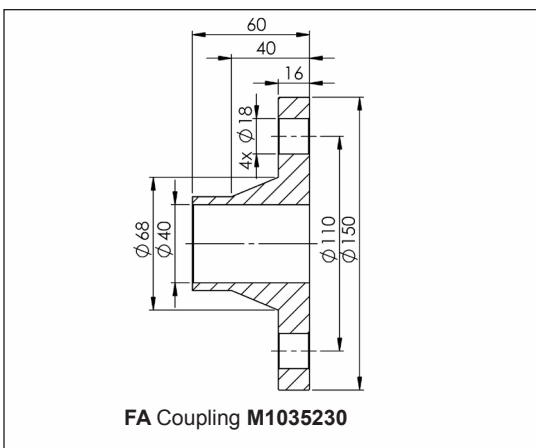
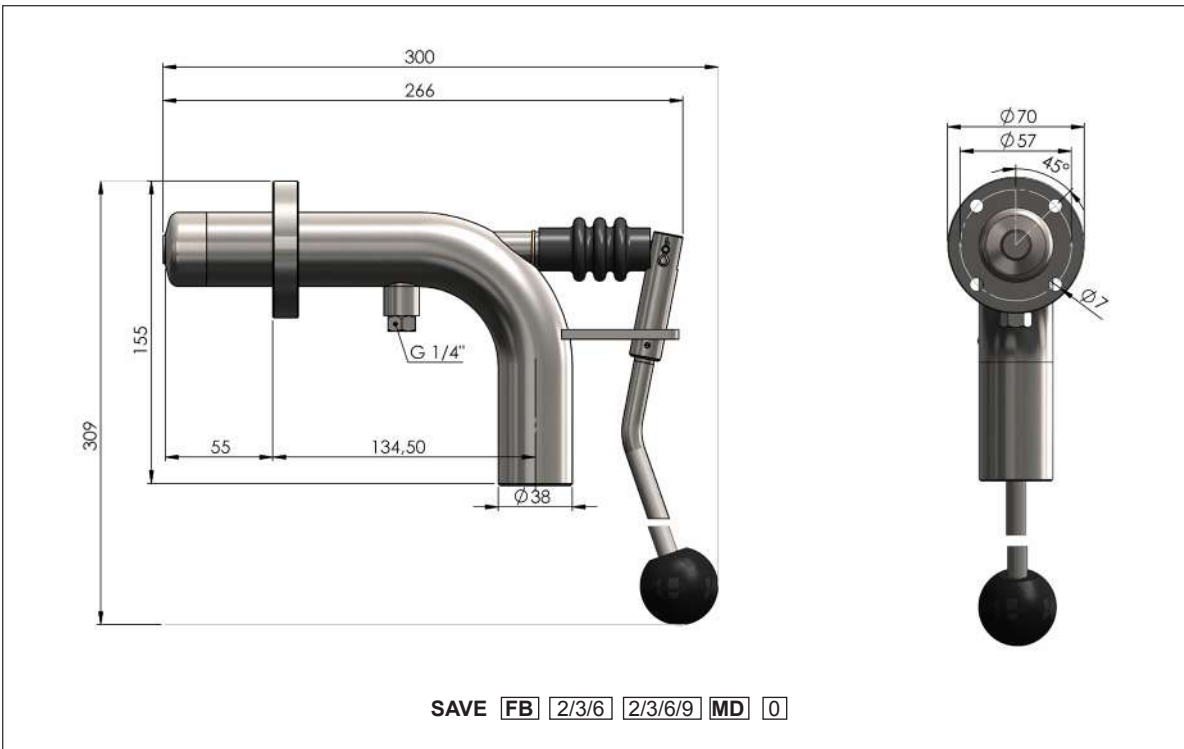
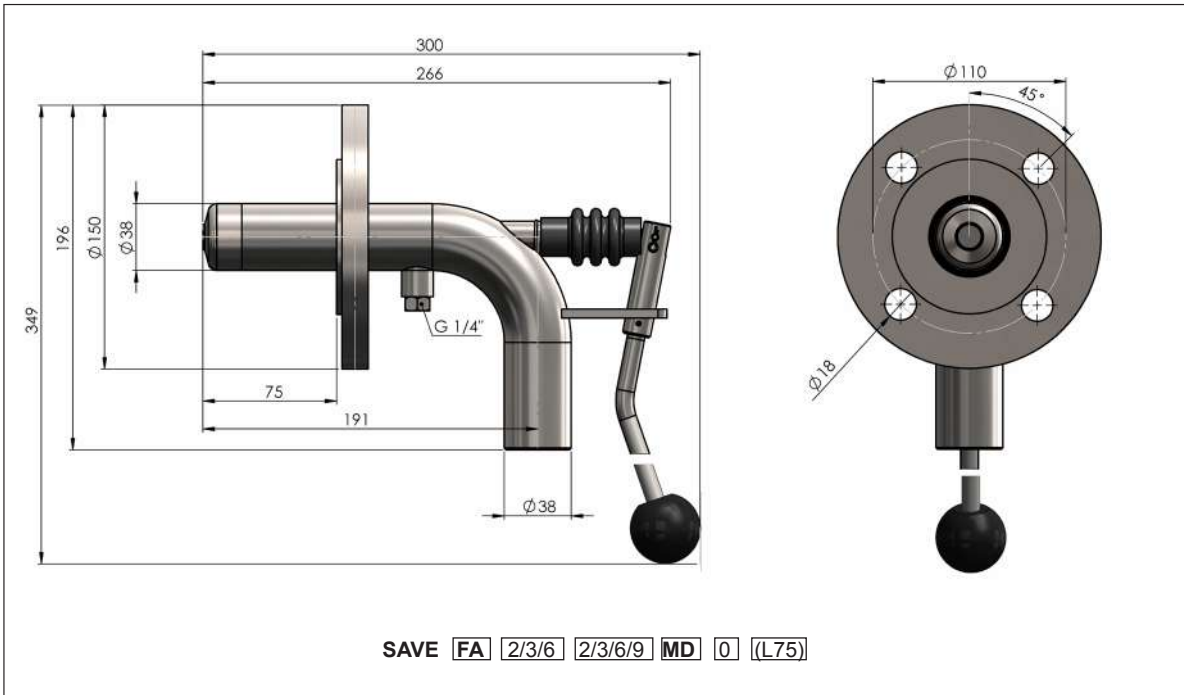


TA Coupling M1035224

SAVE Sampler

176

G800
Revision 3
16.08.2016



Satron SAVE H is a pneumatically actuated sampling valve designed for high-consistency wood pulps and/or pulp containing shives and knots.

The sampler is suitable for all pulp sampling applications in the pulp and paper industry.



TECHNICAL SPECIFICATIONS

Applicability

- Consistency range 0...18 % Cs

Process pressure

- Minimum process pressure for different consistencies: refer to Fig 1
- Maximum process pressure:
2,5 MPa (25 bar), fiberglass-reinforced plastic process coupling 1MPa(10 bar)

Supply air pressure p_s (AD actuator)

- $0,5\text{MPa} < p_s < 0,8\text{MPa}$, ($5\text{ bar} < p_s < 8\text{ bar}$)
- $p_s = 0,6\text{MPa}$ recommended
- Pneumatic actuator has a return spring that shuts the valve when pressure is lost.

Connectors

- Water flushing connector:
R3/4
- Pneumatic connectors for cylinder:
R1/4 (R1/8 adapters included)
- Pneumatic connectors for regulating valve:
R1/8

Materials

- Parts in constant contact with process medium: EN 1.4404 (AISI316L) + UNS S21800 (Nitonric 60) or EN 3.7035(Ti-II)
- Other parts: EN 1.4404 (AISI316L), aluminium alloy

Couplings

- Normal coupling is a clamp mounted standard coupling for the valve.
- Blow line coupling is suited for abrasive applications for example digester blow line.

European Directive Information

Machinery Directive 2006/42/EC

- Assessment of conformity with internal checks on the manufacture of machinery.

Pressure Equipment Directive (PED) (97/23/EC)

- Sound Engineering Practice

Weight

SAVE H SA 7 kg

SAVE H FA 13 kg

Selection Chart		SAVE H					
Mounting types							
SAH	Clamp						
FAH	Flange DN80 PN40						
Material for sampler							
2	EN 1.4404 (AISI316L)						
6	EN 3.7035 (Titaani Ti-II)						
Material for process coupling							
0	No process coupling						
2	EN 1.4404 (AISI316L)						
6	EN 3.7035 (Titanium Ti-II)						
9	Fibreglass-reinforced plastic						
Coupling type							
0	No process coupling	1	Normal				
2	Blow line DN150	3	Blow line DN200-250				
4	Blow line DN300-400	5	Blow line DN500-700				
Function							
AD	Pneumatic						
Open / closed detector							
0	None						
1	Yes (for pneumatic actuator only)						

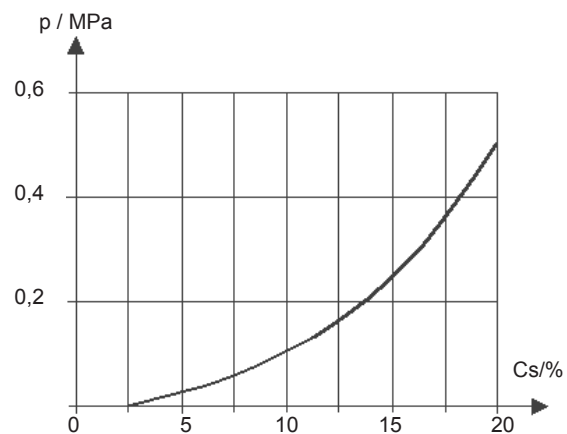
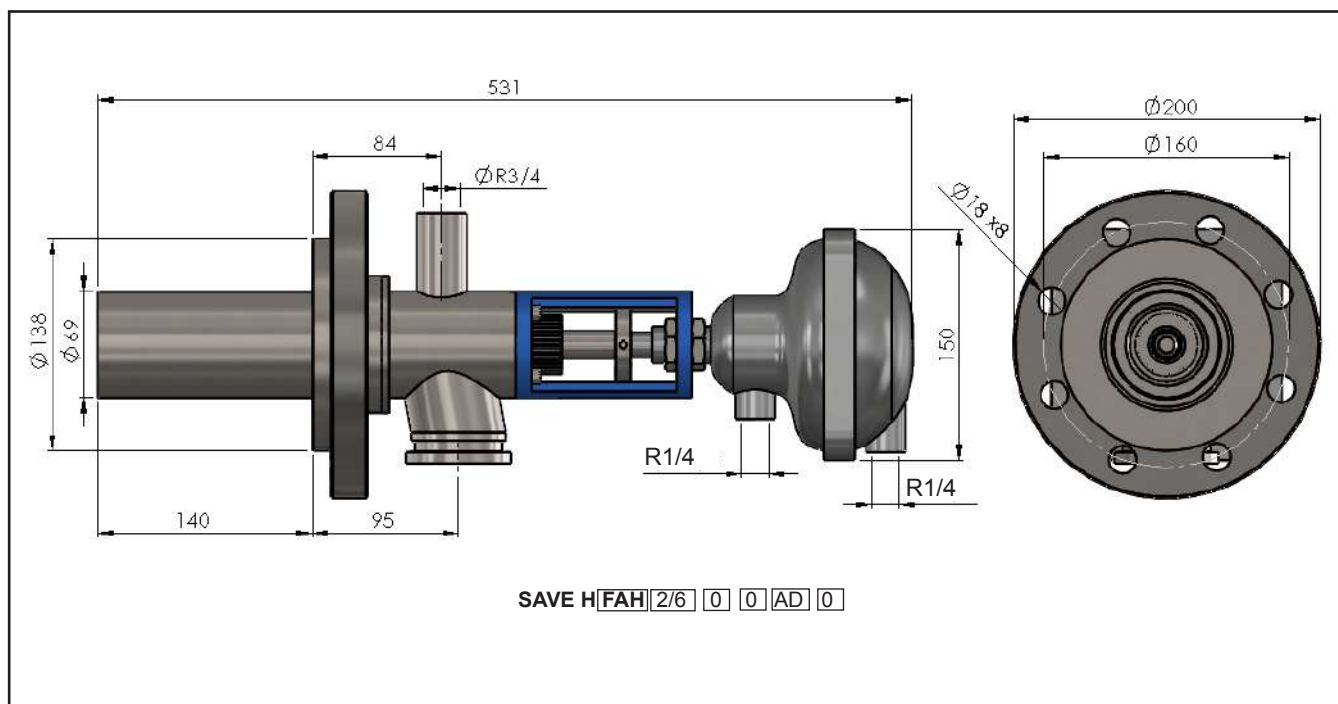
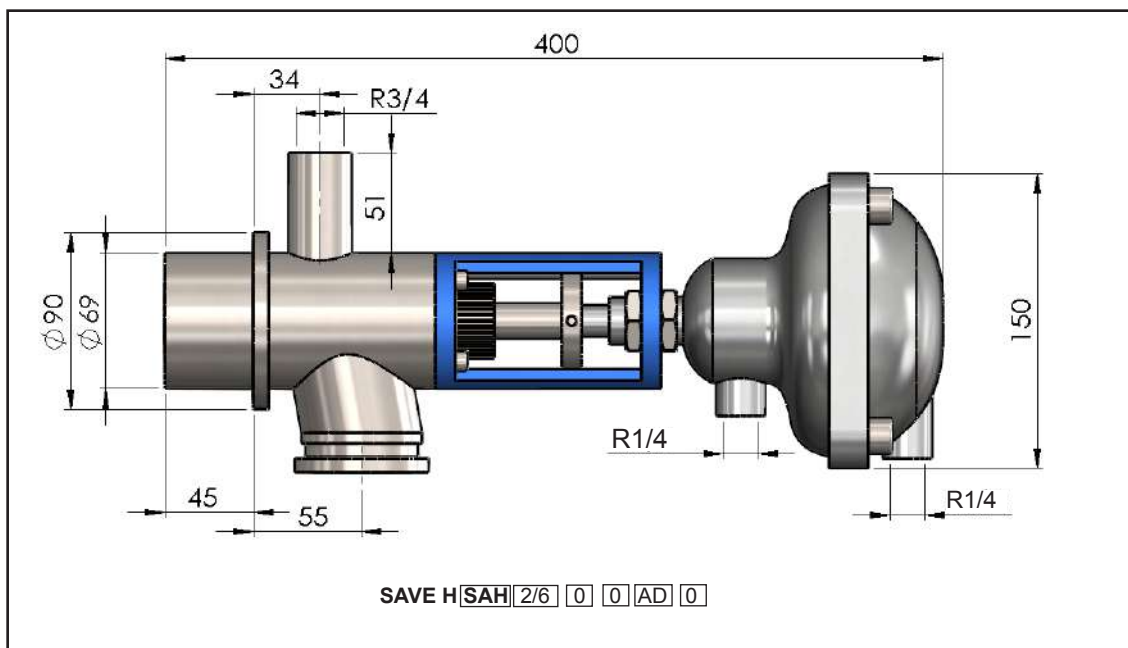


Figure 1 Minimum process pressure at different consistencies

Dimensions





Satron Instruments Inc.
P.O.Box 22, FI-33901 Tampere, Finland
Tel. +358 207 464 800, Fax +358 207 464 801
www.satron.com

We reserve the right for technical modifications without prior notice.

HART® is a registered trademark of HART Communication Foundation.
Viton® is the registered trademark of DuPont Down Elastomers.





Satron Instruments Inc.
P.O.Box 22, FI-33901 Tampere, Finland
Tel. +358 207 464 800, Fax +358 207 464 801
www.satron.com

We reserve the right for technical modifications without prior notice.

HART® is a registered trademark of HART Communication Foundation.
Viton® is the registered trademark of DuPont Down Elastomers.

